

Glue with weicon
AN 302-43(H900009)

EC00321/N

SV CERES SE REAR WHEEL				Plan No.
				EC00321/N
1/2				
Scale:1:5	Drafted	Verified	Confirmed	
Date	30/12/2016	19/02/2021	07/09/2020	
Init.	KZ	AL		

Only for 15K
When used
in 10K the
number was 7
PCS

Only for 15K
Only for 10K

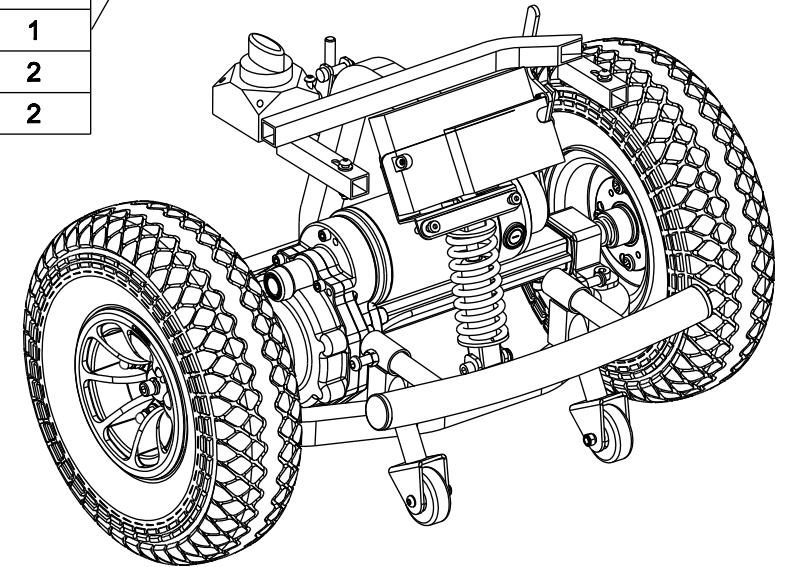
Only for 10k
Only for 15K


Only for 15K
Only for 10K

EC00321/N

Material				Material			
No.	Plan	Article	Number	No.	Plan	Article	Number
1	---	1001493	2	26A	XC00503	1C61000	1
2	---	1001678	4	27	---	1001570	2
3	---	1001680	9	28	---	3991137	2
4	---	1001682	4	29	---	1005138	2
5	---	1001683	4	30	---	3992407	2
6	---	1003110	2	31	---	1903928	2
7	---	1003067	2	32	---	1001564	4
8	---	3990909	2	33	---	1001566	4
9	---	1006057	2	34	---	1001558	4
10	---	3991108	2	35	---	1007516	2
11	---	1903903	1	36	---	3991110	2
12	---	3992161	4	37	---	3990062	4
13	---	3992218	2	38	---	1001494	2
14	---	1737100	1	39	YC01797	1C62404	1
15	---	3992264	2	40	YC01799	1C62304	1
16A	---	3990623	1	41	XP00545	GP03900	2
16B	---	3990622	1	42	---	3993238	2
17	---	3991959	1				
18A	XC00486	3992041	1				
18B	XC00918	3993577	1				
19	---	3992565	2				
19A	XC00509	1C611	2				
19B	---	1911440	2				
19C	---	1905407	2				
19D	XC00510	1C612	2				
19E	XC00435	1C506	2				
20	XC00459	1C54399	1				
21	YC00613	1C222	2				
22A	YC01706	1C55404	1				
22B	YC01790	1C64504	1				
23	YC01724_DP	1C56104	1				
24	YC01725	1C56204	1				
25	YC01727	1C56404	1				
26	XC00508	3991989	1				

Only for 15K



SV CERES SE REAR WHEEL				Plan No.
2/2				EC00321/N
Scale:1:5	Drafted	Verified	Confirmed	
Date	30/12/2016	19/02/2021		
Init.	KZ	AL		