
HOGGI[®]



ZIP Spare parts catalogue

en

Index

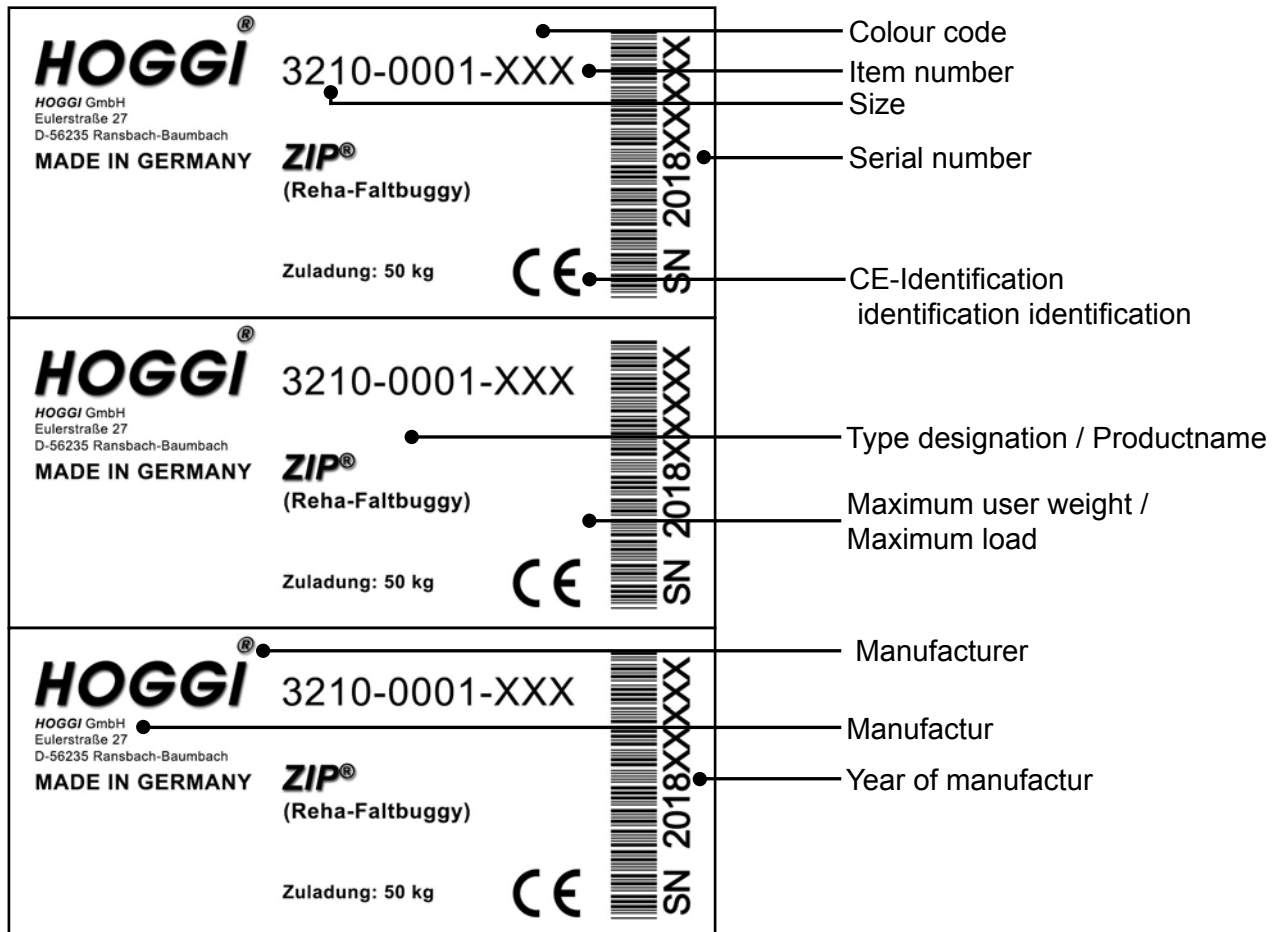
1	Modellidentification and basic equipment	
1.1	Modellidentification _____	3
1.2	Basic equipment _____	3
2	Assemblies _____	
2.1	Assembly overview _____	4
3	Spare parts	
3.1	Front strut _____	5
3.2	Rear strut _____	6
3.3	Part list rear strut _____	7
3.4	Push bar _____	8
3.5	Support lever _____	9
3.6	Crossbrace _____	10
3.7	Spread strud _____	11
3.8	Back rest frame _____	12
3.9	Part list back rest frame _____	13
3.10	Seat frame _____	14
3.11	Nylon cover _____	15
3.12	Foot rest over view _____	16
3.13	Foot board reciever _____	17
3.14	Foot board assembly _____	18
3.15	Footboard system continuos _____	19
3.16	Back rest angle extention up to 5° _____	20
3.17	Castor fork _____	21
3.18	Wheel options _____	22
3.19	Swivel lock for castor fork _____	23
3.20	Attendent break two hand use _____	24
3.21	Grab rail _____	25
3.22	Therapy tray height adjustable _____	26
3.23	Therapy tray _____	27
3.24	Tie down kit size 1 _____	28
3.25	Tie down kit size 2 _____	29
3.26	Canopy incl. adapter and rain cover _____	30
3.27	Part list Canopy incl. adapter and rain cover _____	31
3.28	Abduktion block _____	32

1 Model identification

1.1 Model identification

The label with the serial number, is placed on the back frame.

Please give us the Serial number with every spare part order, to ensure a correct delivery.

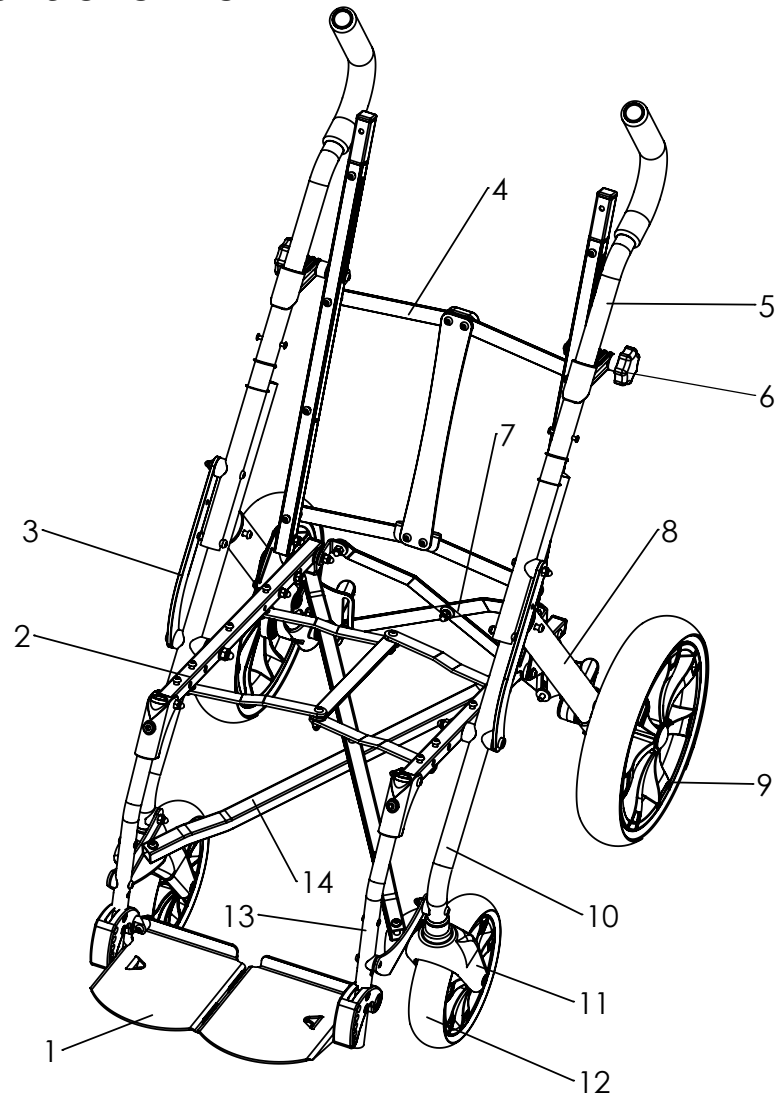


1.2 Basic configuration

The basic configuration includes:

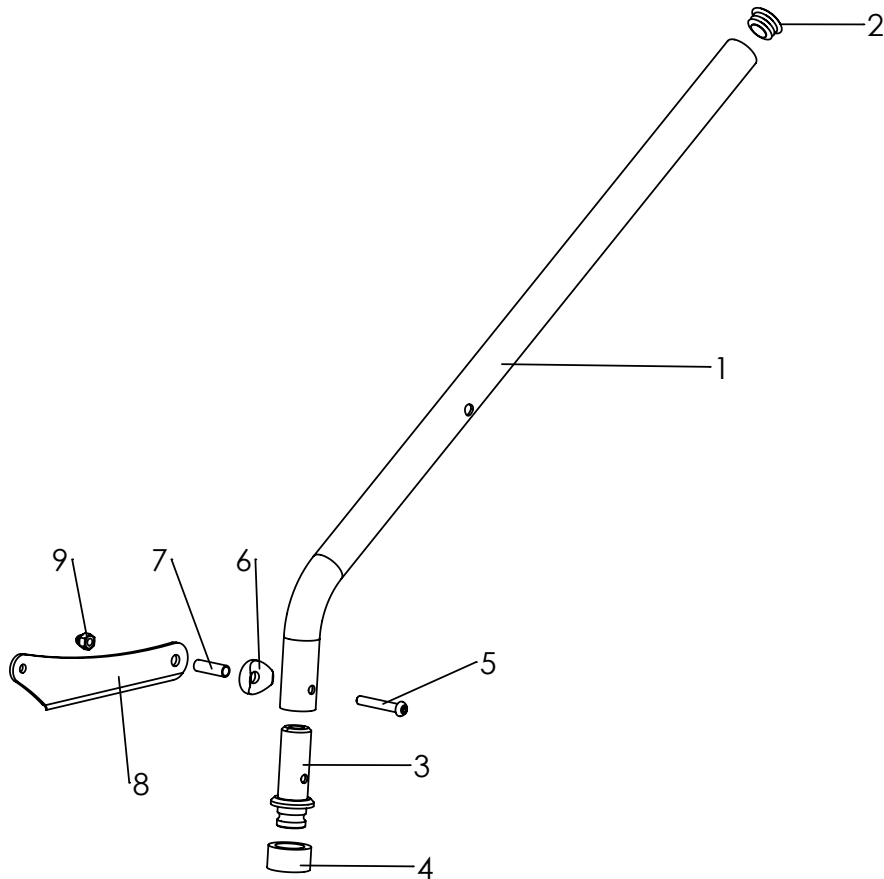
- Reinforced nylon seat and back cover
- Footrest - infinitely height-adjustable, angle-adjustable and fold-away
- Ball bearing wheels front and rear
- Park break

2 Component overview



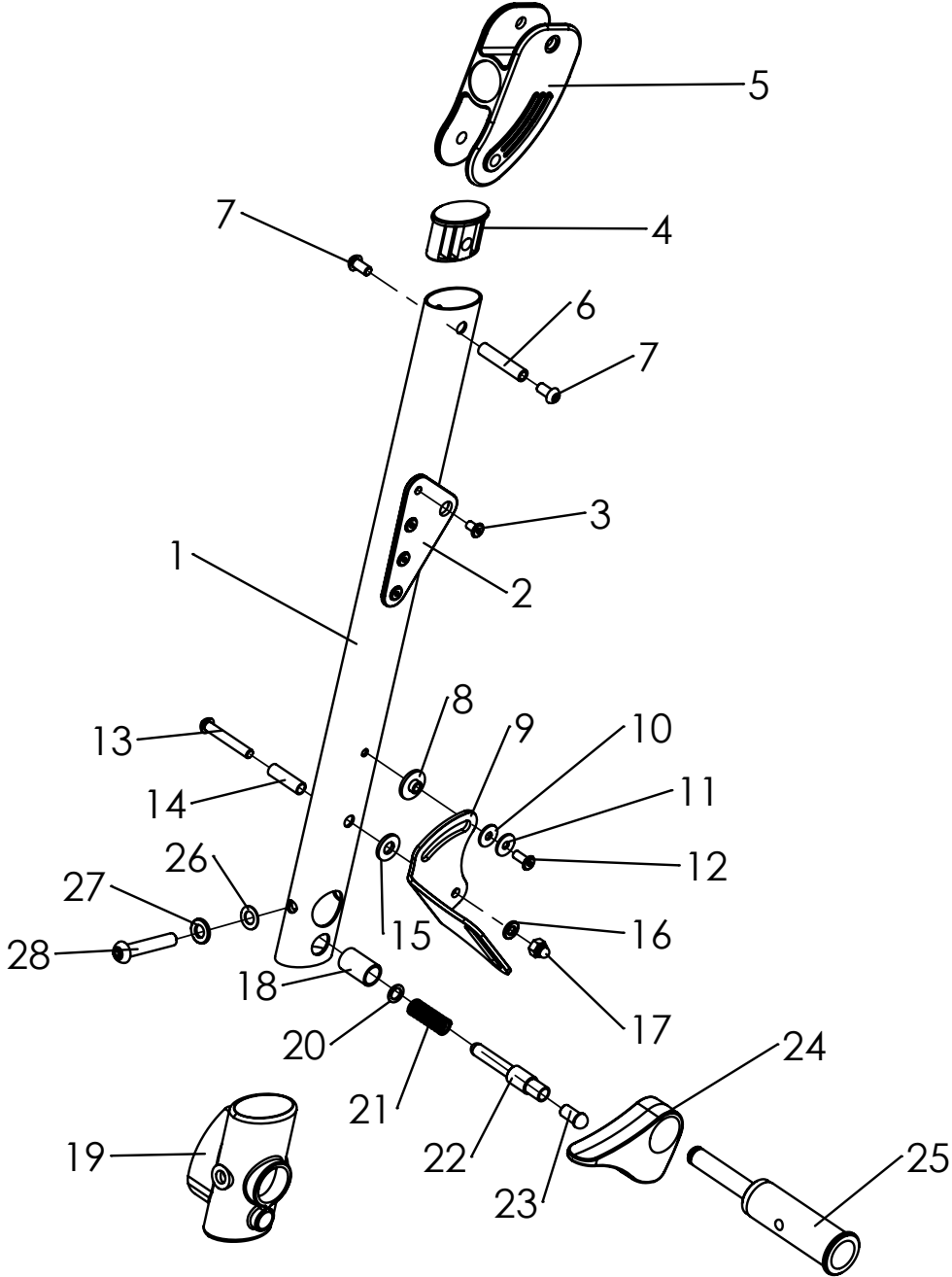
Pos	Artikelnummer	Artikelbezeichnung	Seite
1	321X-2310-015	Foot board	18
2	321X-1700-052	Seat frame	14
3	3210-1400-052	Support Lever	9
4	321X-1800-052	Back frame	12
5	3210-1310-052	Push handle	8
6	3210-8500	Recline angle extension 5°	20
7	321X-1240-052	Locking scissors	11
8	3210-1210-052	Rear strut	6
9	1221-xxxx	Rear wheels	22
10	321X-1110-052	Front strut	5
11	1281-0007E	Castor fork	21
12	1221-2048	Front wheels	22
13	321X-2320	Foot board receiver	17
14	321X-1600-052	Cross strut	10

Spare parts



Pos	Article number	Articel description	Quantity	Unit
1-9	3210-1110E-052	Front strut size 1 left complete, black	1	Pc.
	3210-1120E-052	Front strut size 1 right complete, black	1	Pc.
	3213-1110E-052	Front strut size 2 left complete, black	1	Pc.
	3213-1120E-052	Front strut size 2 right complete, black	1	Pc.
1	3210-1111-001	Front strut left size 1, black	1	Pc.
	3210-1112-001	Front strut right size 1, black	1	Pc.
	3213-1111-001	front strut left, size 2, black	1	Pc.
	3213-1112-001	front strut right, size 2, black	1	Pc.
2	1141-0009	Ribbed insert SFL 25x1-2,5	1	Pc.
3	3210-1114	Front fork retainer size 1	1	Pc.
	3213-1114	Front fork retainer size 2	1	Pc.
4	3202-1151	Cover ring	1	Pc.
5	1029-0640	Button head socket screw M6x40	1	Pc.
6	1111-0012	Saddle washer PA black 24x8.4x3	1	Pc.
7	1114-0025	Bushing zp 8x0,8x27	1	Pc.
8	3210-1116-015	Joint angle left size 1	1	Pc.
	3210-1117-015	Joint angle right size 1	1	Pc.
	3213-1116-015	Joint angle left size 2	1	Pc.
	3213-1117-015	Joint angle right size 2	1	Pc.
9	1044-0006	Hexagonal domed cap nut self-locking M6	1	Pc.

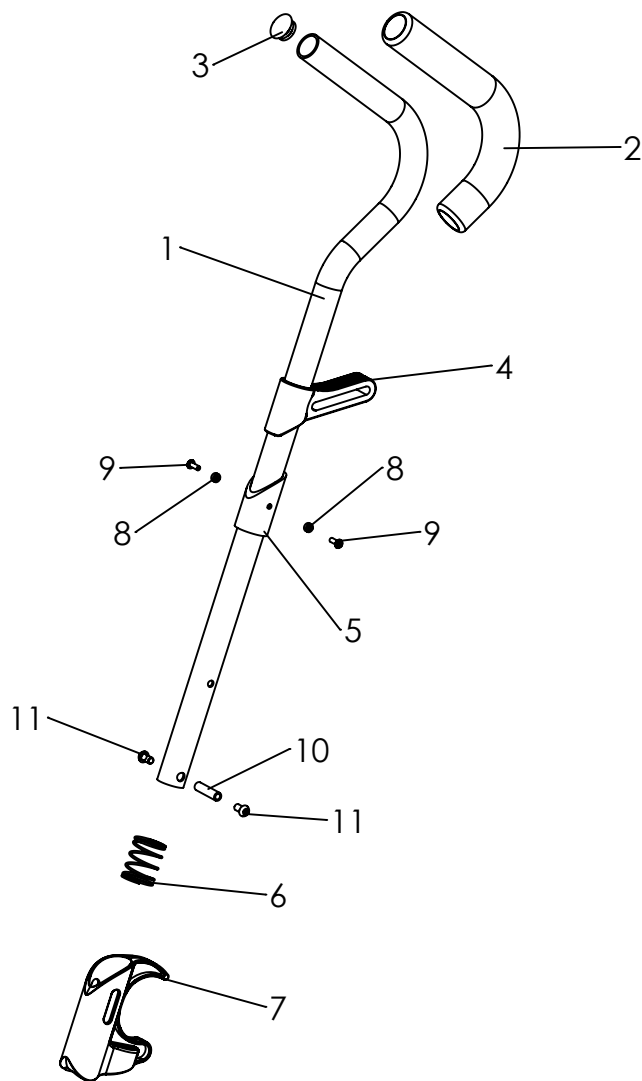
Spare parts



Spare parts

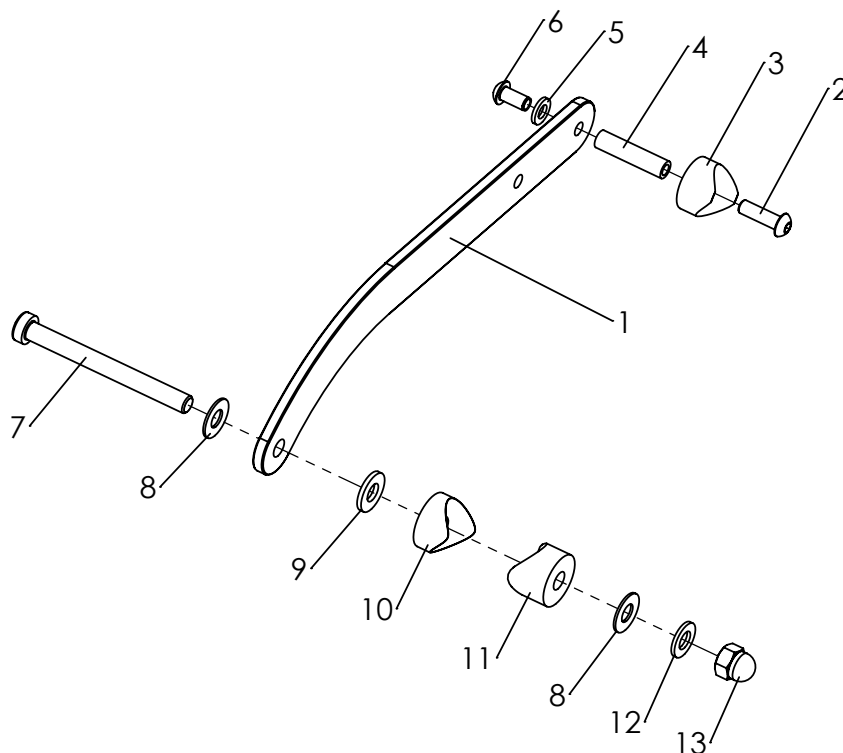
Pos	Article number	Articel description	Quantity	Unit
1-28	3210-1210E-052	Rear strut, left complete, black	1	Pc.
	3210-1220E-052	Rear strut, left complete, black	1	Pc.
1	3210-1211-052	Rear strut	1	Pc.
2	3210-1212-015	Junction plate	1	Pc.
3	1062-0508	Blind rivet F5x8	4	Pc.
4	3201-1270	Plug	1	Pc.
5	3201-1500	Slider	1	Pc.
6	1114-0028	Threaded bushing 8xM6x38	1	Pc.
7	1029-0612	Button head socket screw M6x12	2	Pc.
8	3210-1219	Guide bushing	1	Pc.
9	3210-1217-015	Strut guide left	1	Pc.
	3210-1218-015	Strut guide right	1	Pc.
10	1113-0059	Washer PA black 15x5,3x1,5	1	Pc.
11	1055-0005	Washer A5,3	1	Pc.
12	1062-0516	Blind rivet F5x16	1	Pc.
13	1029-0640	button head socket screw M6x40	1	Pc.
14	1114-0025	Bushing zp 8x0,8x27	1	Pc.
15	1113-0035	Washer PA 18x8,4x2 black	1	Pc.
16	1055-0006	Washer A6,4	1	Pc.
17	1044-0006	Hexagonal domed cap nut self-locking 986 M6	1	Pc.
18	3210-1216	Guid bushing	1	Pc.
19	3210-1215	Connector	1	Pc.
20	1059-0008	Sealing Ring DIN 7603 8x12x1,0 Copper	1	Pc.
21	1131-0034	Compression spring D-180	1	Pc.
22	3210-1930	Brake bolt	1	Pc.
23	3201-1340	Slide insert	1	Pc.
24	3210-1910	Brake lever, left side	1	Pc.
	3210-1920	Brake lever, right side	1	Pc.
25	3210-1214	Axle	1	Pc.
26	1051-0008	Washer A8,4	1	Pc.
27	1052-0008	Spring washer B8	1	Pc.
28	1029-0845	Button head socket screw M8x45	1	Pc.

Spare parts



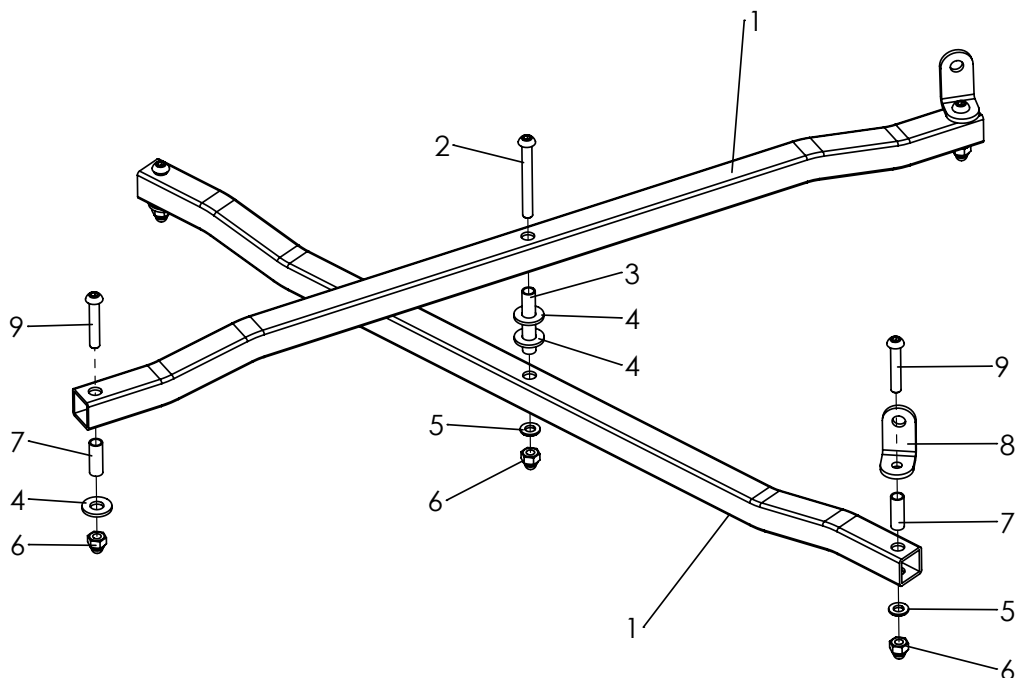
Pos	Article number	Articel description	Quantity	Unit
1-10	3210-1310E-052	Push bar complete, black	2	Pc.
1	3210-1311-052	Handlebar, black	2	Pc.
2	1143-0001	Handle grip EVA black d30 x 260	2	Pc.
3	1141-0009	Ribbed insert SFL 25x1-2,5	2	Pc.
4	3210-1840	Back glider	2	Pc.
5	3201-1440	Sliding sleeve	2	Pc.
6	1131-0033	Compression spring Vd-232	2	Pc.
7	3201-1430	Folding safety device	2	Pc.
8	1112-0010	Spacer PA black 8x4,3x3	4	Pc.
9	1062-0412	Blind rivet 4x12	4	Pc.
10	1114-0027	Threaded bushing 8xM6x32	2	Pc.
11	1029-0612	Button head socket screw M6x12	2	Pc.

Spare parts



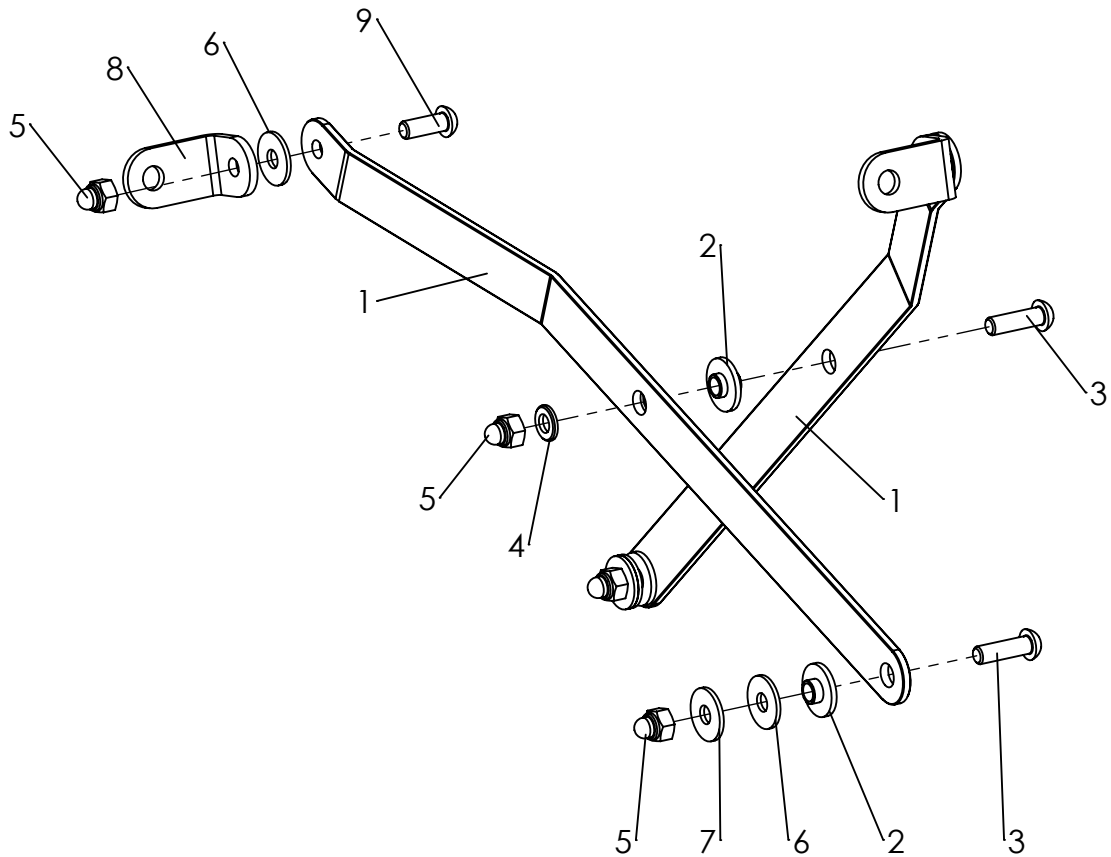
Pos	Article number	Articel description	Quantity	Unit
1-13	3210-1400E-052	Support lever size 1 black, complete	1	Pc.
	3213-1400E-052	Support lever size 2 black, complete	1	Pc.
1	3210-1410	Support lever size 1	1	Pc.
	3213-1410	Support lever size 2	1	Pc.
2	1029-0620	Button head socket screw M6x20	1	Pc.
3	1111-0011	Saddle washer PA 24x8.4x8	1	Pc.
4	1114-0065	Threaded bushing 8xM6x33,2	1	Pc.
5	1051-0006	Washer A6,4	1	Pc.
6	1029-0612	Button head socket screw M6x12	1	Pc.
7	1022-0880	Hexagon socket head cap screw M8x80	1	Pc.
8	1113-0003	Washer PA 18x8,4x1 black	2	Pc.
9	1113-0035	Washer PA 18x8,4x2 black	1	Pc.
10	1111-0014	Saddle washer PA black 24x8.4x6	1	Pc.
11	1111-0013	Saddle washer PA black 24x8.4x10	1	Pc.
12	1051-0008	Washer A8,4 zp DIN/ISO 125 A8,4	1	Pc.
13	1044-0008	Hexagonal domed cap nut self-locking M8	1	Pc.

Spare parts



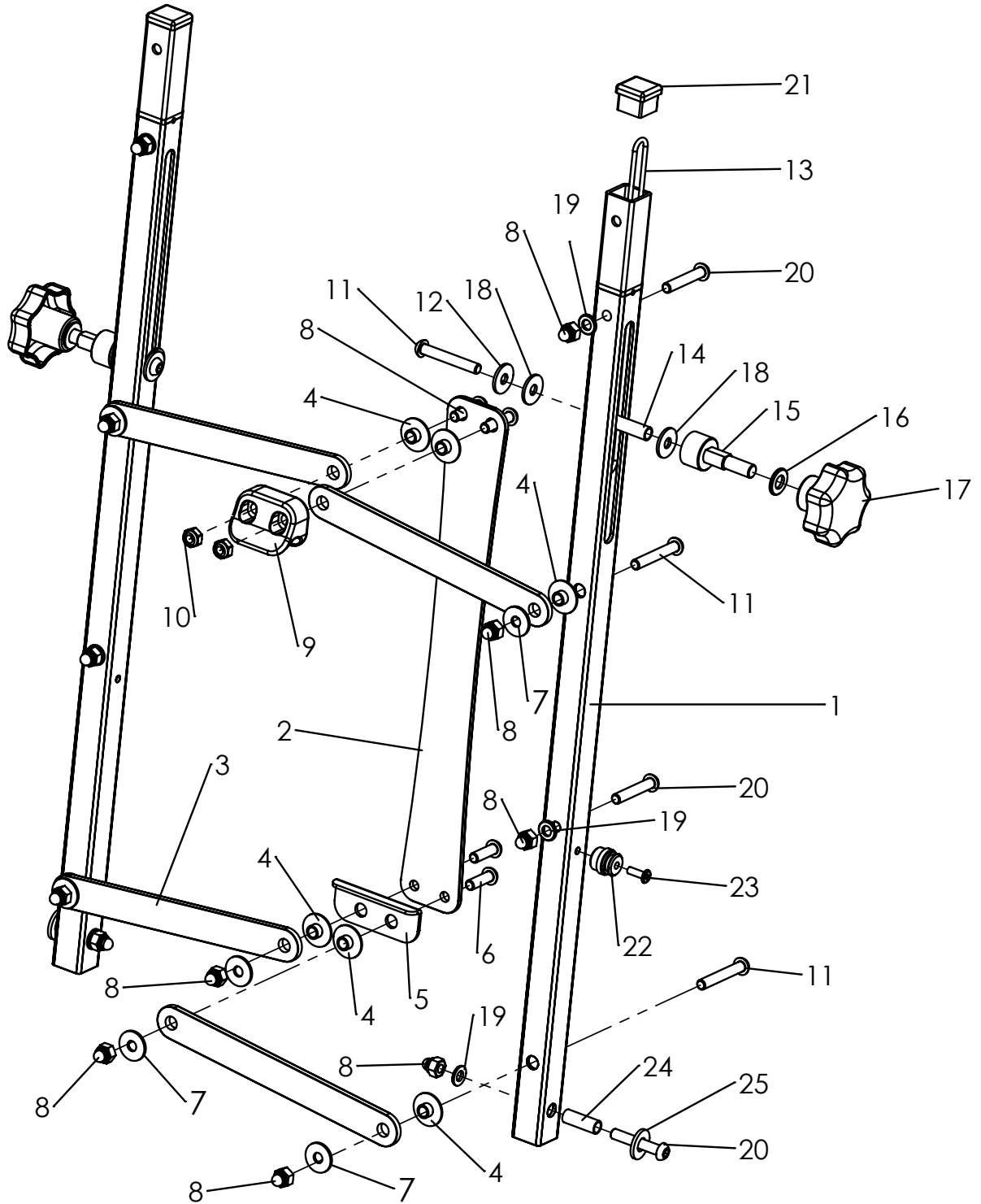
Pos	Article number	Articel description	Quantity	Unit
1-9	3210-1600E-052	Crossbrace size 1, complete, black	1	Pc.
	3213-1600E-052	Crossbrace size 2, complete, black	1	Pc.
1	3210-1610-052	Scissor arm, size 1, black	2	Pc.
	3213-1610-052	Scissor arm, size 2, black	2	Pc.
2	1029-0655	Button head socket screw M6x55	1	Pc.
3	1114-0053	Bushing zp 8x0,8x44,5	1	Pc.
4	1113-0035	Washer PA 18x8,4x2 black	4	Pc.
5	1051-0006	Washer A6,4 zp DIN/ISO 125 A6,4	3	Pc.
6	1044-0006	Hexagonal domed cap nut self-locking M6	5	Pc.
7	1114-0012	Bushing zp 8x0,8x22,5	4	Pc.
8	3210-1715	Joint angle	2	Pc.
9	1029-0635	Button head socket screw M6x35	4	Pc.

Spare parts



Pos	Article number	Articel description	Quantity	Unit
1-8	3210-1240E-015	Spread strud size 1, complete	1	Pc.
	3213-1240E-015	Spread strud size 2, complete	1	Pc.
1	3210-1241-015	Brace size 1, black	2	Pc.
	3213-1241-015	Brace size 2, black	2	Pc.
2	3210-1238	Shoulder bushing	3	Pc.
3	1029-0620	Button head socket screw M6x20	2	Pc.
4	1051-0006	Washer A6,4	2	Pc.
5	1044-0006	Hexagonal domed cap nut self-locking M6	5	Pc.
6	1113-0010	Washer PA black 18x6,4x1,5	4	Pc.
7	1055-0006	Washer zp A6,4	2	Pc.
8	3210-1715	joint angle	2	Pc.

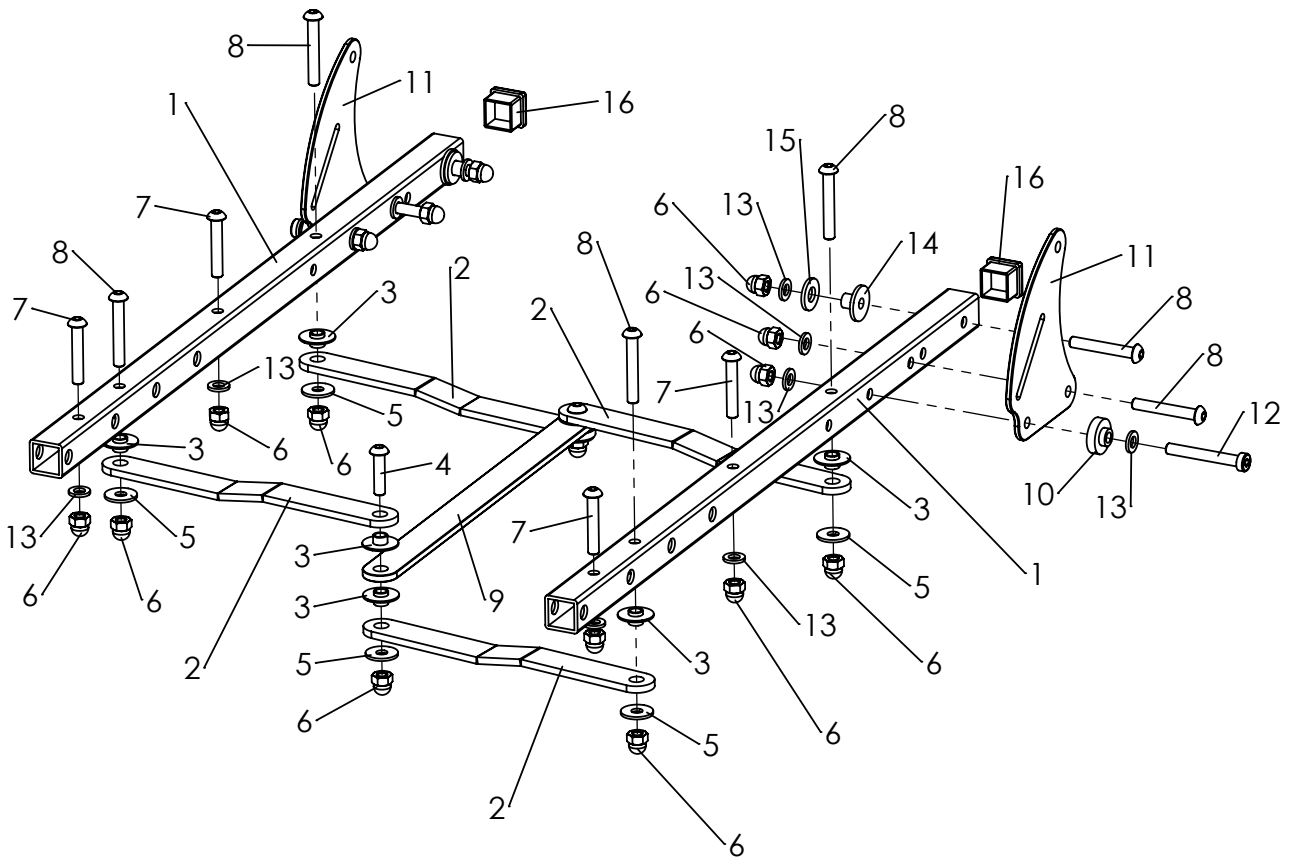
Spare parts



Spare parts

Pos	Article number	Articel description	Quantity	Unit
1-24	3210-1800E-052	Back rest frame size 1, back height 60 cm, black, complete	1	Pc.
	3213-1800E-052	Back rest frame size 2, complete, black	1	Pc.
1	3210-1811-052	Back tube standard, black matt	2	Pc.
	3210-1812-052	Back tube long, black matt	2	Pc.
2	3210-1814-052	Middle brace rear	1	Pc.
3	3210-1815-052	Locking lever size 1, black	4	Pc.
	3213-1815-052	Locking lever size 2, black	4	Pc.
4	3210-1830	Bearing bush	8	Pc.
5	3210-1816-015	Lock, FS black	1	Pc.
6	1029-0620	Button head socket screw M6x20	2	Pc.
7	1113-0010	Washer PA black DIN/ISO equal 9021 18x6,4x1,5	6	Pc.
8	1044-0006	Hexagonal domed cap nut self-locking M6	12	Pc.
9	3210-1817	Locking handle	1	Pc.
10	1042-0006	Hexagon nut self-locking M6	2	Pc.
11	1029-0640	Button head socket screw M6x40	6	Pc.
12	1055-0006	Washer A6,4	2	Pc.
13	1150-0010	O-Ring 130x2,5	2	Pc.
14	1114-0025	Bushing zp 8x0,8x27	2	Pc.
15	3210-1850	Guide shaft	2	Pc.
16	1051-0008	Washer A8,4	2	Pc.
17	1122-5008	Star grip nut PA black M8	2	Pc.
18	1113-0064	Washer POM natural 8,4x18,0x2,0 mm	4	Pc.
19	1051-0006	Washer A6,4	6	Pc.
20	1029-0635	button head socket screw M6x35	6	Pc.
21	1141-0020	Ribbed insert VL 20x20x0,8-3 black	4	Pc.
22	3210-1813	O-ring bearing	2	Pc.
23	1062-0412	Blind rivet F4x12	2	Pc.
24	1114-0012	Bushing zp 8x0,8x22,5	2	Pc.
25	1113-0035	Washer PA 18x8,4x2 black	2	Pc.

Spare parts



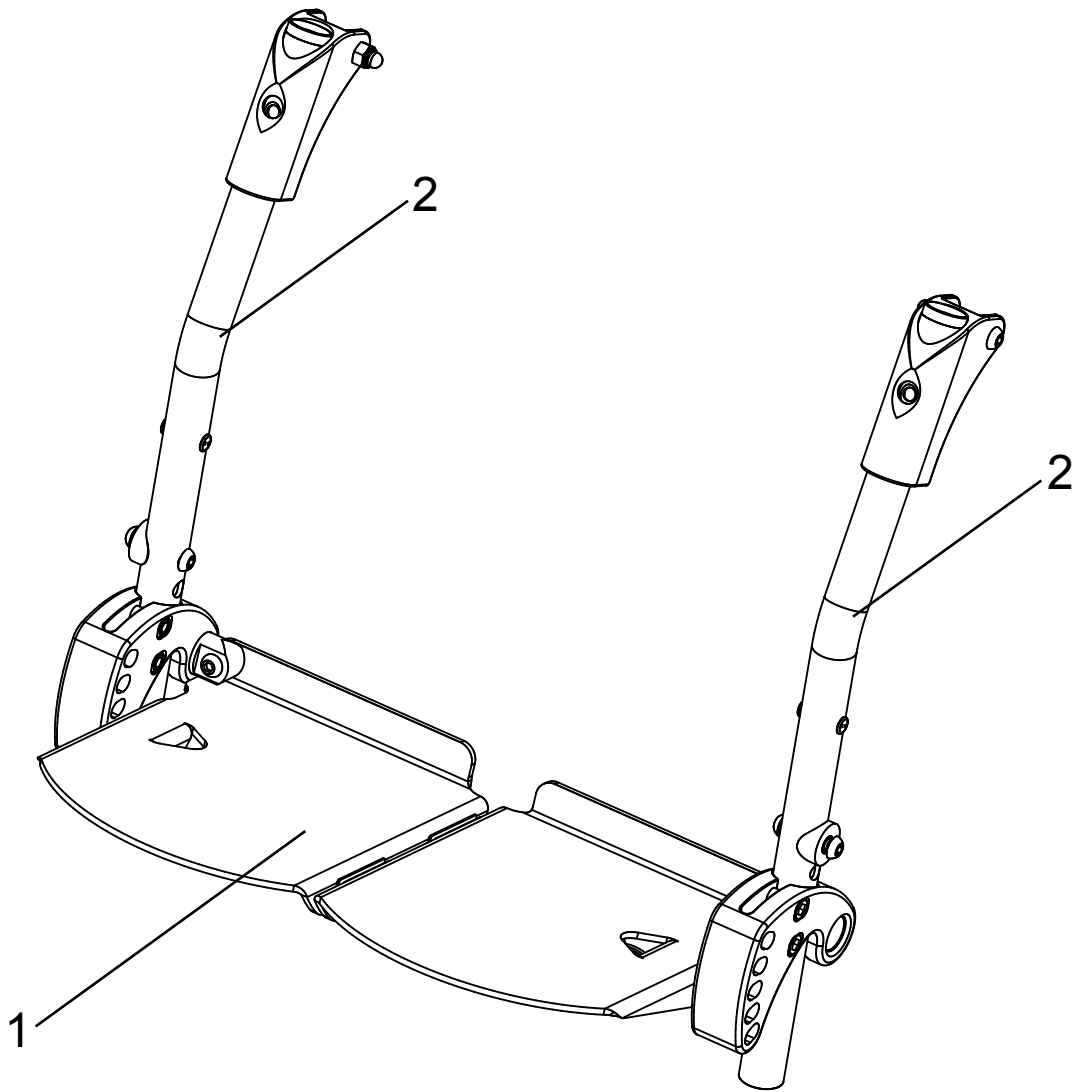
Pos	Article number	Articel description	Quantity	Unit
1-16	3210-1700E-052	Seat frame size 1 complete	1	Pc.
	3213-1700E-052	Seat frame complete size 2, black	1	Pc.
1	3210-1711	Seat tube, size 1	2	Pc.
	3213-1711	Seat tube, size 2	2	Pc.
2	3210-1740	Spreading lever size 1	1	Pc.
	3213-1740	Spreading lever size 2	1	Pc.
3	3210-1830	Bearing bush	8	Pc.
4	1029-0625	Button head socket screw M6x25	2	Pc.
5	1113-0010	Washer PA black 18x6,4x1,5	6	Pc.
6	1044-0006	Hexagonal domed cap nut self-locking M6	16	Pc.
7	1029-0635	Button head socket screw M6x35	4	Pc.
8	1029-0640	Button head socket screw M6x40	8	Pc.
9	3210-1730	Center strut	1	Pc.
10	3210-1712	Seat tube bearing	2	Pc.
11	3210-1713-015	Back stock size 1, black	2	Pc.
	3213-1713-015	Back stock size 2, black	2	Pc.
12	1022-0645	Hexagon socket head cap screw M6x45	2	Pc.
13	1051-0006	Washer A6,4	12	Pc.
14	3210-1714	Bearing bush	2	Pc.
15	1113-0035	Washer PA 18x8,4x2 black	2	Pc.
16	1141-0020	Ribbed insert VL 20x20x0,8-3 black	2	Pc.

Spare parts



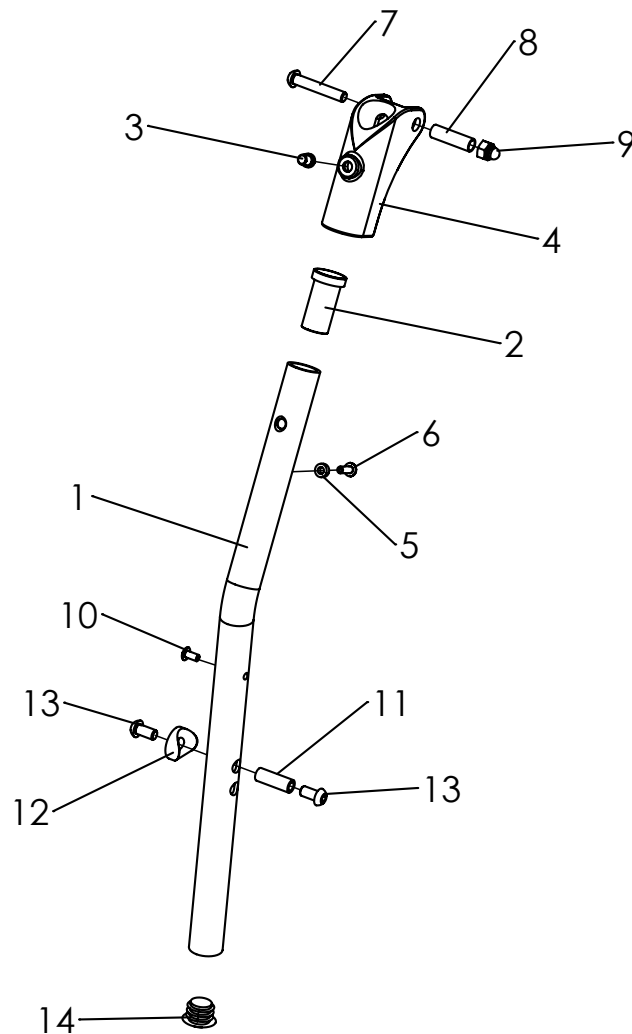
Pos	Article number	Articel description	Quantity	Unit
1-5	3210-2101-000	ZIP reinforced nylon cover size1, back rest hight 60 cm	1	Pc.
	3210-2102-000	ZIP reinforced nylon cover size1, back rest hight 66 cm	1	Pc.
	3213-2101-000	ZIP reinforced nylon cover size 2, back rest hight 68 cm	1	Pc.
1	3210-2110-000	Seat cover size 1	1	Pc.
	3213-2110-000	Seat cover size 2	1	Pc.
2	3210-1771	Fastening adapter for seat cover size 1	2	Pc.
	3213-1771	Fastening adapter for seat cover size 2	2	Pc.
3	3210-2120-000	Side cover size 1	1	Pair
	3213-2120-000	Side cover size 2	1	Pair
4	3210-2130-000	Back cover standard, size 1	1	Pc.
	3210-2140-000	Back cover long	1	Pc.
	3213-2130-000	Back cover size 2	1	Pc.
5	3210-1861	Fastening adapter for back cover	2	Pc.
	3210-1871	Fastening adapter for back cover, long	2	Pc.

Spare parts



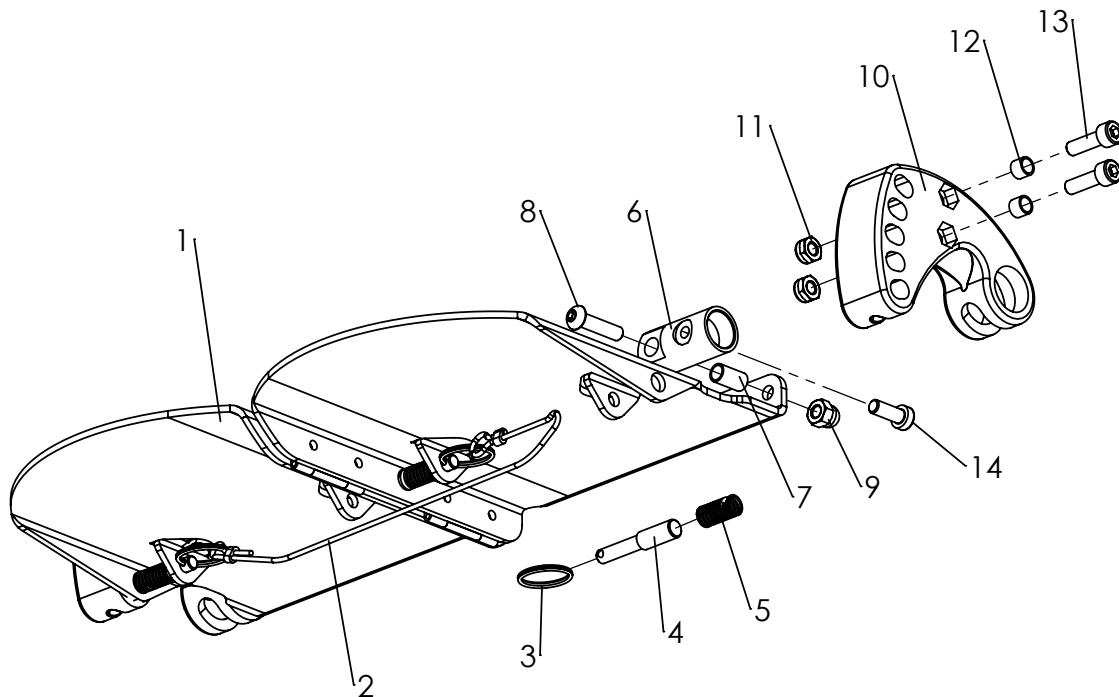
Pos	Article number	Articel description	Quantity	Unit
1	3210-2410-015	Foot board, size 1	1	Pc.
	3213-2410-015	Foot board, size 2	1	Pc.
2	3210-2320-052	Foot board reciver, size 1	2	Pc.
	3213-2320-052	Foot board reciver, size 2	2	Pc.

Spare parts



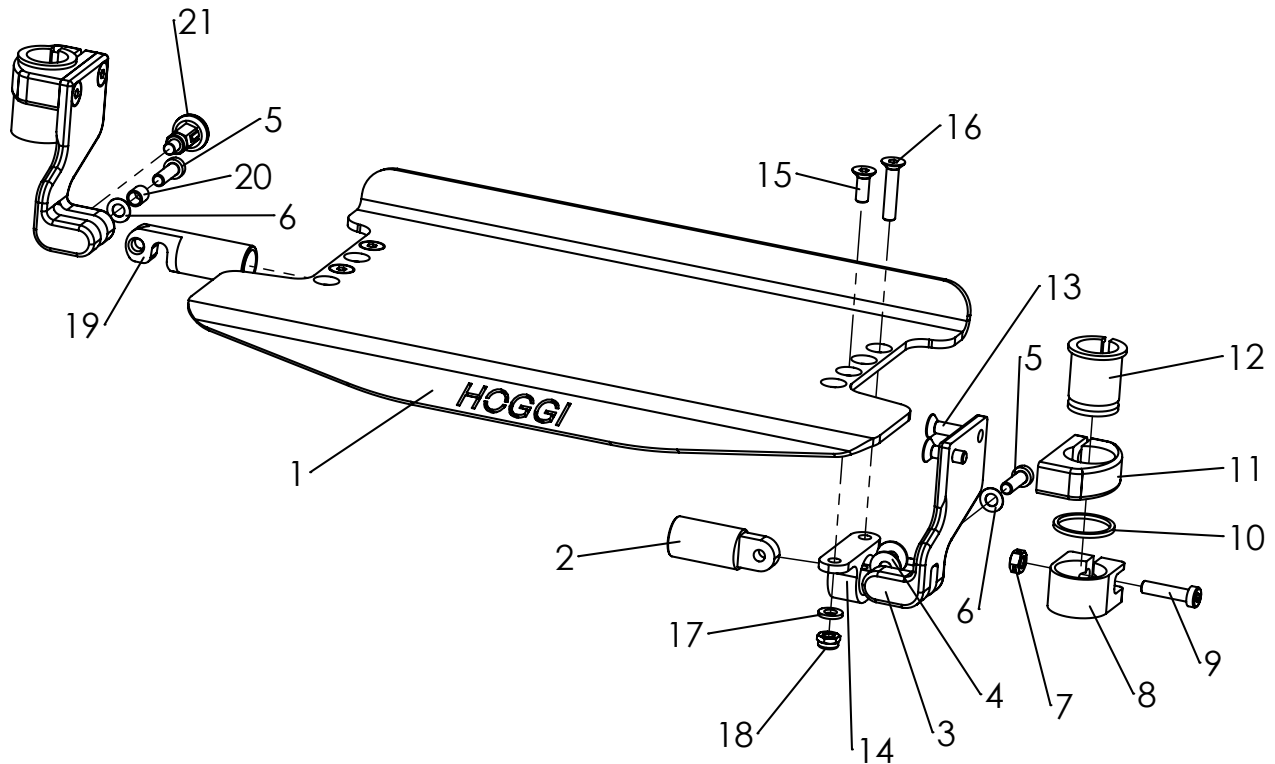
Pos	Article number	Articel description	Quantity	Unit
1-14	3210-2320E-052	Foot board receiver size 1, black	1	Pc.
	3213-2320E-052	Foot board receiver size 2, schwarz	1	Pc.
1	3210-2321-052	Foot rest receiver size 1, black	1	Pc.
	3213-2321-052	Foot rest receiver size 2, black	1	Pc.
2	3210-2323	Guide sleeve	1	Pc.
3	3210-2324	Trigger	1	Pc.
4	3210-2322	Swivel guide	1	Pc.
5	1112-0010	Spacer PA black 8x4,3x3	1	Pc.
6	1062-0412	Blind rivet F4x12	1	Pc.
7	1029-0635	Button head socket screw M6x35	1	Pc.
8	1114-0025	Bushing zp 8x0,8x27	1	Pc.
9	1044-0006	Hexagonal domed cap nut self-locking M6	1	Pc.
10	1062-0408	Blind rivet F4x8	1	Pc.
11	1114-0058	Threaded bushing 8xM6x27,5	1	Pc.
12	1111-0018	Saddle washer PA black 20x8.4x7	1	Pc.
13	1029-0612	Button head socket screw M6x12	2	Pc.
14	1141-0006	Ribbed insert SFL 20x0,8-2,5	1	Pc.

Spare parts



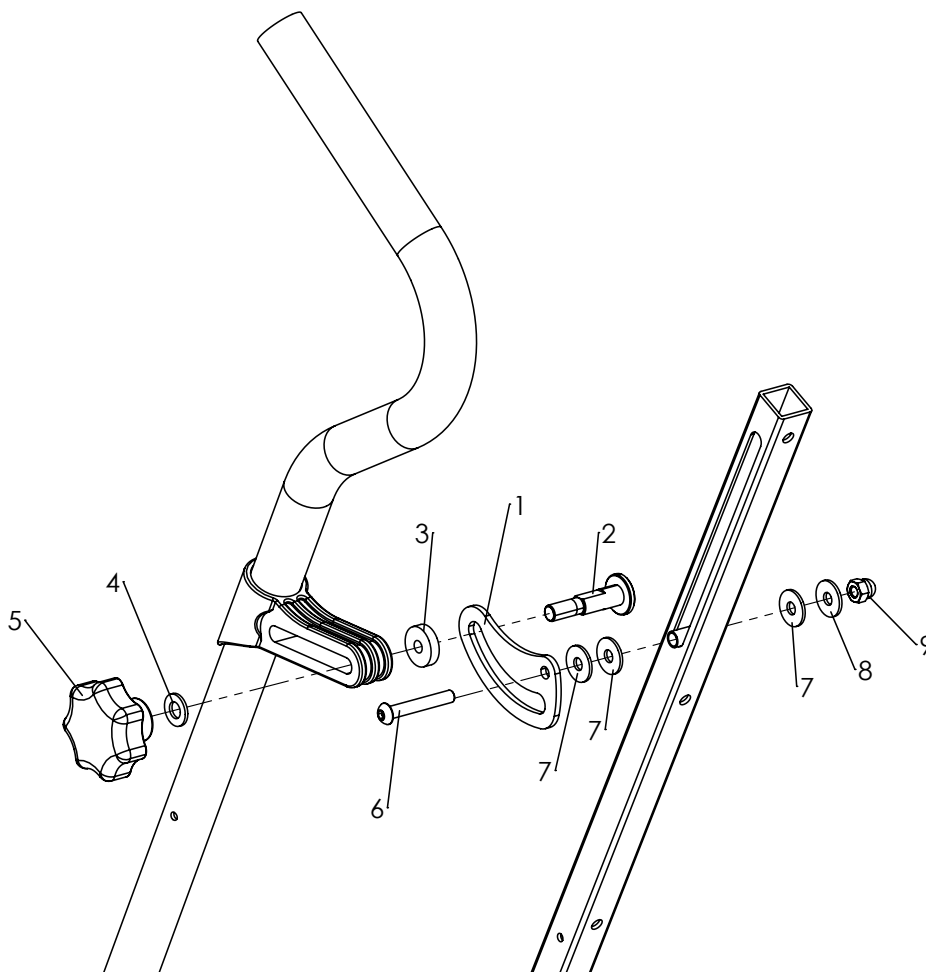
Pos	Article number	Articel description	Quantity	Unit
1-14	3210-2410E-015	Foot board assembly, complete size 1	1	Pc.
	3213-2410E-015	Foot board assembly, complete size 2	1	Pc.
1-5	3210-2330E-015	Foot board with locking mechanism, size 1	1	Pc.
	3213-2330E-015	Foot board with locking mechanism, size 2	1	Pc.
1	3210-2330-015	Foot board pair assembly, size 1, black	1	Pc.
	3213-2330-015	Foot board pair assembly, size 2, black	1	Pc.
2	3210-2439	Release cable for footplate locking size 1	1	Pc.
	3213-2439	Release cable for footplate locking size 2	1	Pc.
3	1129-0003	Key ring 24x1,5	3	Pc.
4	3210-2335	Lock pin	3	Pc.
5	1131-0036	Compression spring D-127	3	Pc.
6	3210-2333	Rotation bearing (L-R is the same)	2	Pc.
	3213-2332	Rotation bearing left size 2	1	Pc.
	3213-2333	Rotation bearing right size 2	1	Pc.
7	1114-0018	Bushing zp 8x0,8x14,5	2	Pc.
8	1029-0625	Button head socket screw M6x25	2	Pc.
9	1044-0006	Hexagonal domed cap nut self-locking M6	2	Pc.
10	3210-2331	Clamp holder	2	Pc.
11	1042-0006	Hexagon nut self-locking M6	4	Pc.
12	1114-0010	Bushing zp 8x0,8x6,0-0,2	4	Pc.
13	1021-0620	Hexagon socket head cap screw M6x20	4	Pc.
14	1022-0616	Hexagon socket head cap screw M6x16	2	Pc.

Spare parts



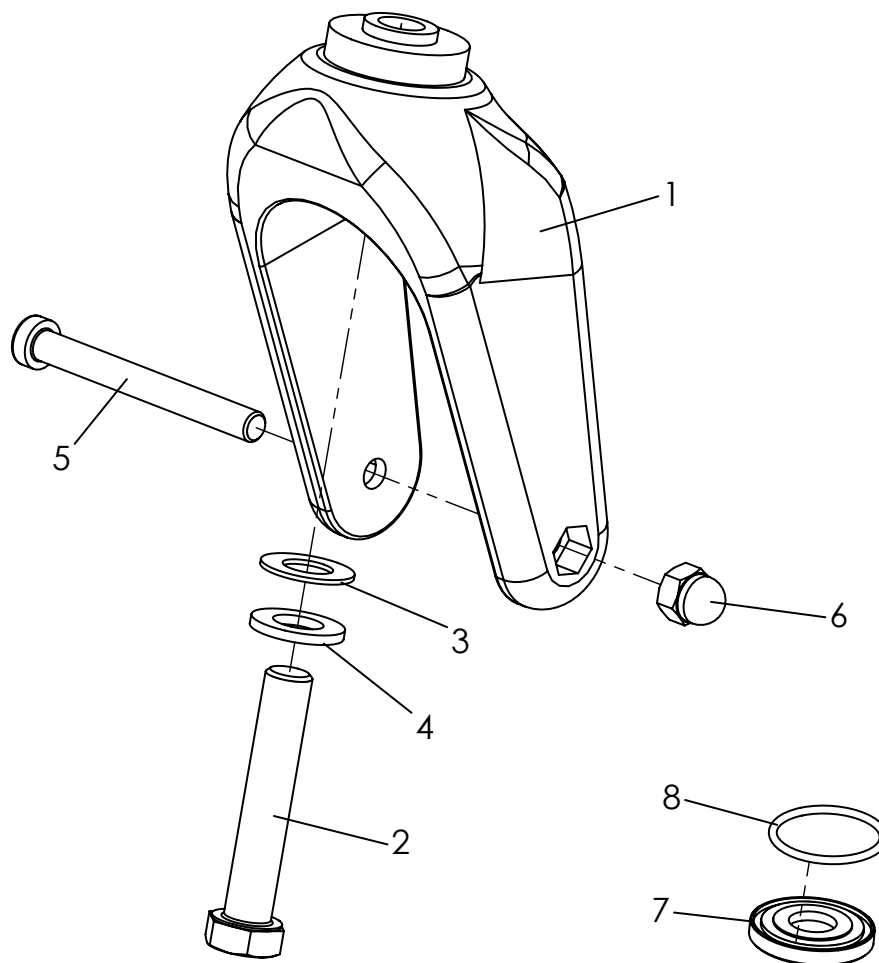
Pos	Article number	Articel description	Quantity	Unit
1-21	3210-2510E-015	Footboard system continuous, angle adj., foldable, swing away size ' 1	1	Pc.
	3213-2510E015	Footboard system continuous, angle adj., foldable, swing away size :	1	Pc.
1	3210-2530-015	Footboard throughout ZIP Gr.1	1	Pc.
	3213-2530-015	Footboard throughout ZIP Gr.2	1	Pc.
2	3261-2713	Joint shaft	1	Pc.
3	3210-2535-007	Footboard holder ZIP left black anodised	1	Pc.
	3210-2534-007	Footboard holder ZIP right black anodised	1	Pc.
4	1113-0046	Washer PE white 16x6,4x1	2	Pc.
5	1022-0620	Hexagon socket head cap screw M6x20	3	Pc.
6	1052-0006	Spring washer B6	2	Pc.
7	1049-0068	BILOC-nut M6	2	Pc.
8	3210-2531-007	Clamp footrest ZIP black anodized	2	Pc.
9	1022-0625	Hexagon socket head cap screw M6x25	2	Pc.
10	1113-0067	Washer PA natural d26xD30,0x2,0	2	Pc.
11	3210-2533-007	Swivel bracket footrest ZIP black anodized	2	Pc.
12	3210-2532	Sliding sleeve footrest ZIP	2	Pc.
13	1024-0620	Hexagon socket countersunk head screw M6x20	4	Pc.
14	3261-2116-006	Footboard clamp anodized	2	Pc.
15	1024-0616	Hexagon socket countersunk head screw M6x16	2	Pc.
16	1024-0630	Hexagon socket countersunk head screw M6x30	2	Pc.
17	1051-0006	Washer A6,4	2	Pc.
18	1042-0006	Hexagon nut self-locking M6	2	Pc.
19	3210-2536-007	Latch Footrest, black anodized	1	Pc.
20	1114-0055	Bushing 8x0,8x8,7	1	Pc.
21	1127-0011	Lock pin ZS-M10x1-KS with lock	1	Pc.

Spare parts



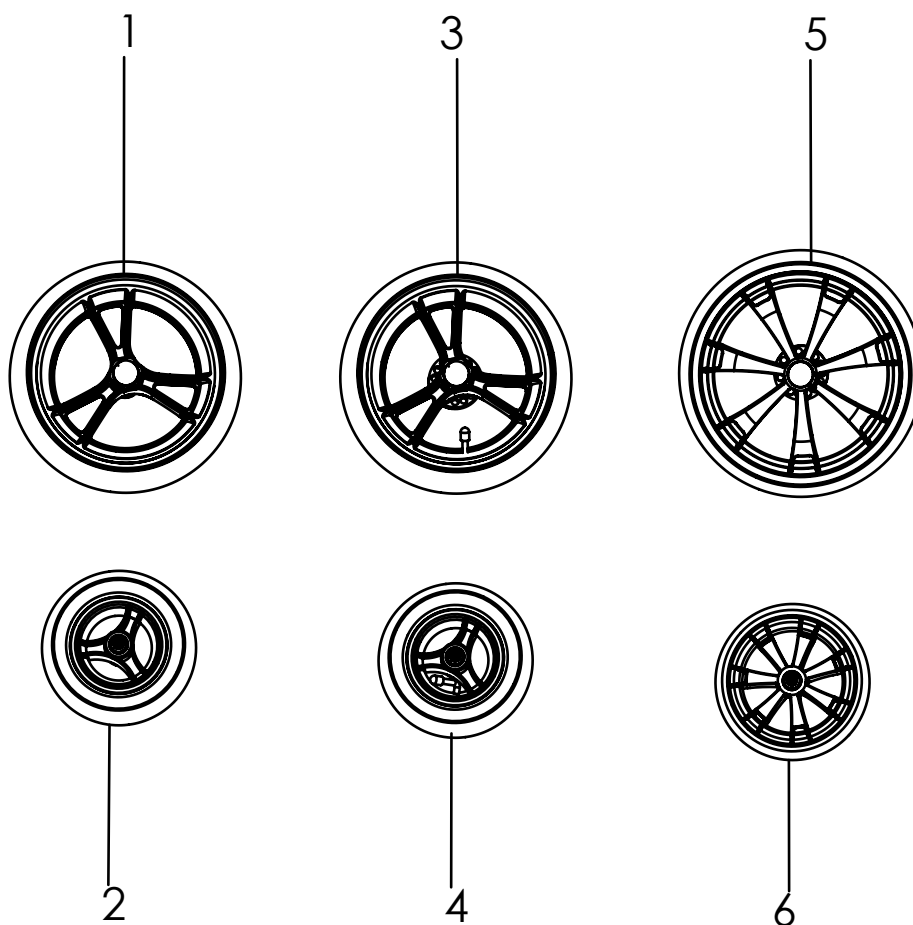
Pos	Article number	Articel description	Quantity	Unit
1-9	3210-8500E	Back rest angle extention up to 5°	1	Set
1	3210-1851-015	Angle plate black	1	Pc.
2	3210-1852	Guiding shaft	1	Pc.
3	3210-1853	Spacer ring	1	Pc.
4	1051-0008	Washer A8,4	1	Pc.
5	1122-5008	Star grip nutt	1	Pc.
6	1029-0640	button head socket screw M6x40	1	Pc.
7	1113-0064	Washer POM natural 8,4x18,0x2,0 mm	3	Pc.
8	1055-0006	Washer A6,4	1	Pc.
9	1044-0006	Hexagonal domed cap nut self-locking M6	1	Pc.

Spare parts



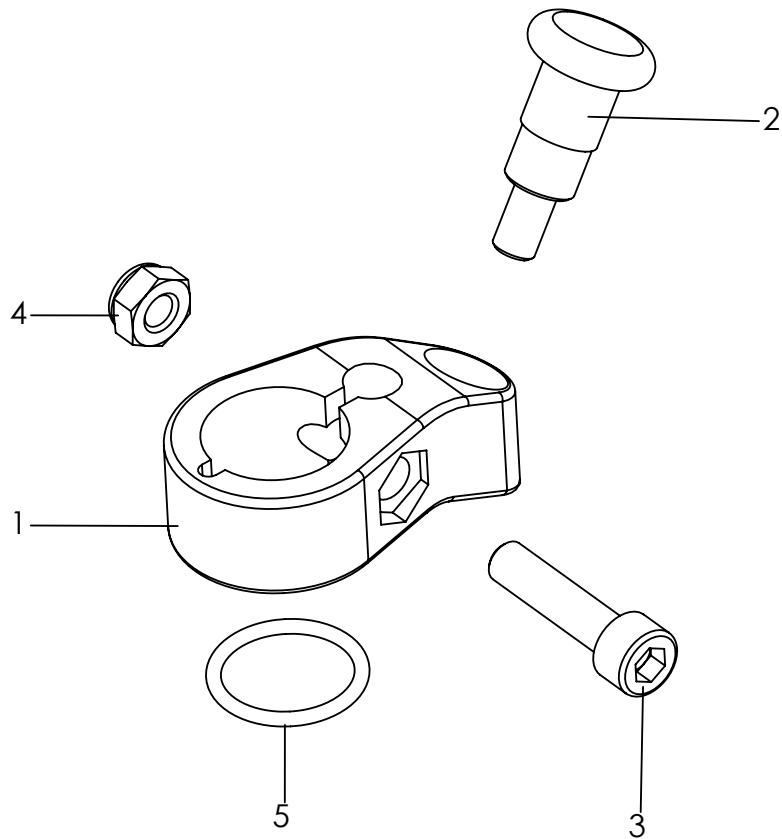
Pos	Article number	Articel description	Quantity	Unit
1-6	1281-0007E	Castor fork with fasteners	1	Pc.
1	1281-0007	Castor fork LG-K-200-12 schw 200x60	1	Pc.
2	1012-1265	Hexagon head screw M12x65	1	Pc.
3	1051-0012	Washer 125 A	1	Pc.
4	1052-0012	Spring washer B12	1	Pc.
5	1022-0875	Hexagon socket head cap screw M8x75	1	Pc.
6	1044-0008	Hexagonal domed cap nut self-locking M8	1	Pc.
7-8	3202-7120E	Sealing for steering fork bearing for two forks	1	Set
7	3224-1174	Sealing disc caster fork	2	Pc.
8	1150-0018	O-ring 26x2	2	Pc.

Spare parts



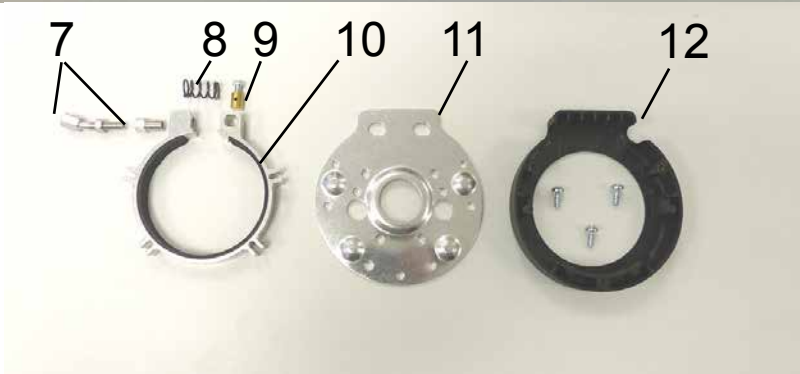
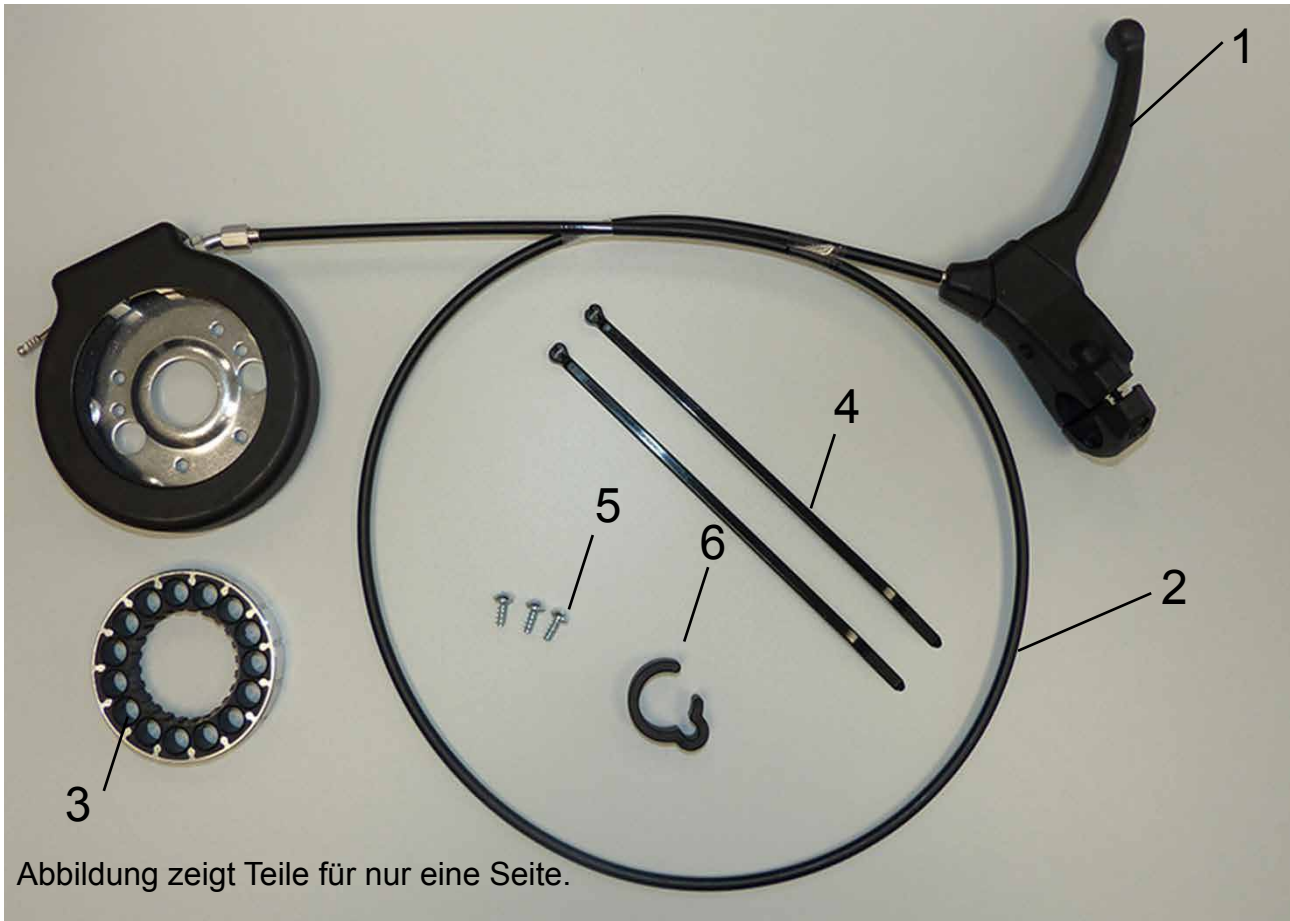
Pos	Article number	Articel description	Quantity	Unit
1	1221-2961	PU-wheel 290x60 with break disk and quick release	2	Pc.
2	1221-1950	PU-wheel 190x50	2	Pc.
3	1211-2961	Pneumatic wheel 290x60, quick release	2	Pc.
4	1211-1950	Pneumatic wheel 190/50	2	Pc.
5	1221-3061	PU-Wheel R300/60, chrome, with break disk	2	Pc.
	1221-3063	PU-Wheel R300/60, ABS black, with break disk	2	Pc.
6	1221-2048	PU-Wheel R200/48 chrome rim	2	Pc.
	1221-2049	PU-Wheel R200/48 ABS black	2	Pc.

Spare parts



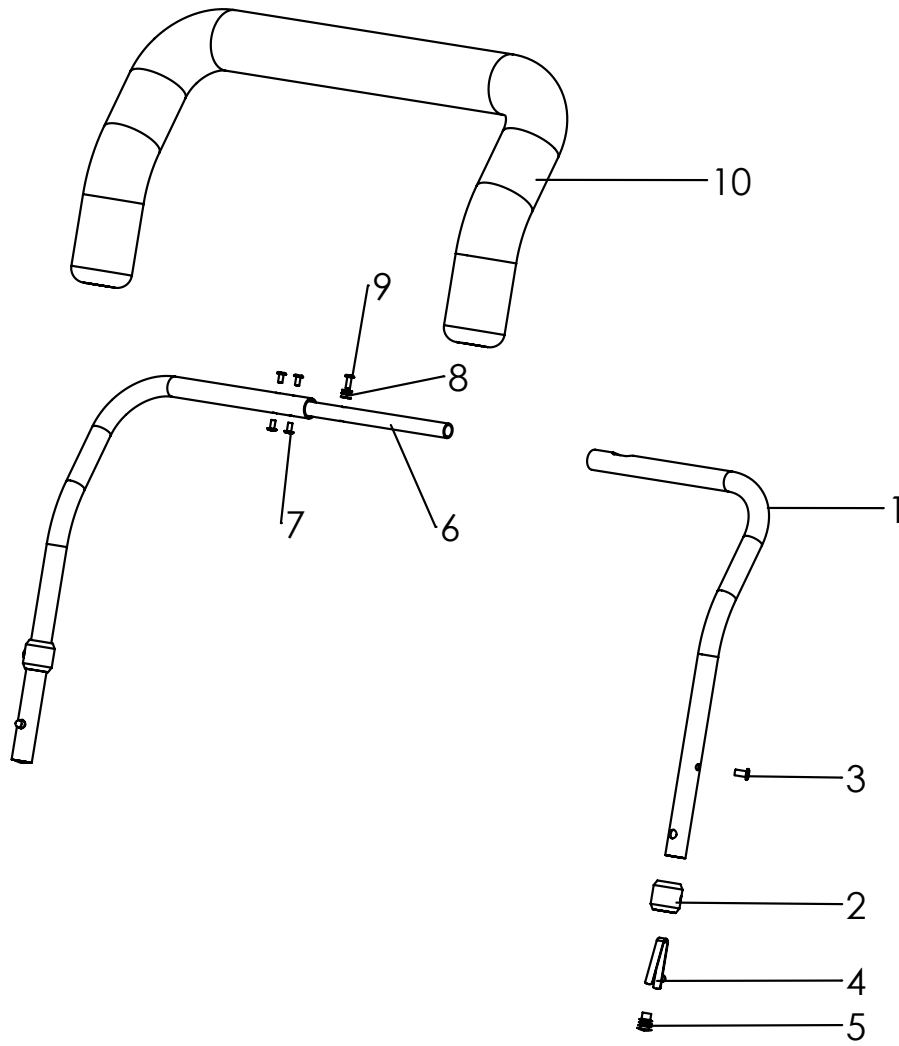
Pos	Article number	Articel description	Quantity	Unit
1-5	3202-7100	Swivel lock, for two castor fork`s	1	Set
1	3202-7110	Swivel lock housing	2	Pc.
2	1127-0009	Lock pin, with interlocksystem	2	Pc.
3	1021-0625	Hexagon socket head cap screw M6x25	2	Pc.
4	1042-0006	Hexagon nut self-locking M6	2	Pc.
5	1150-0001	O-ring NBR 18x2	2	Pc.

Spare parts



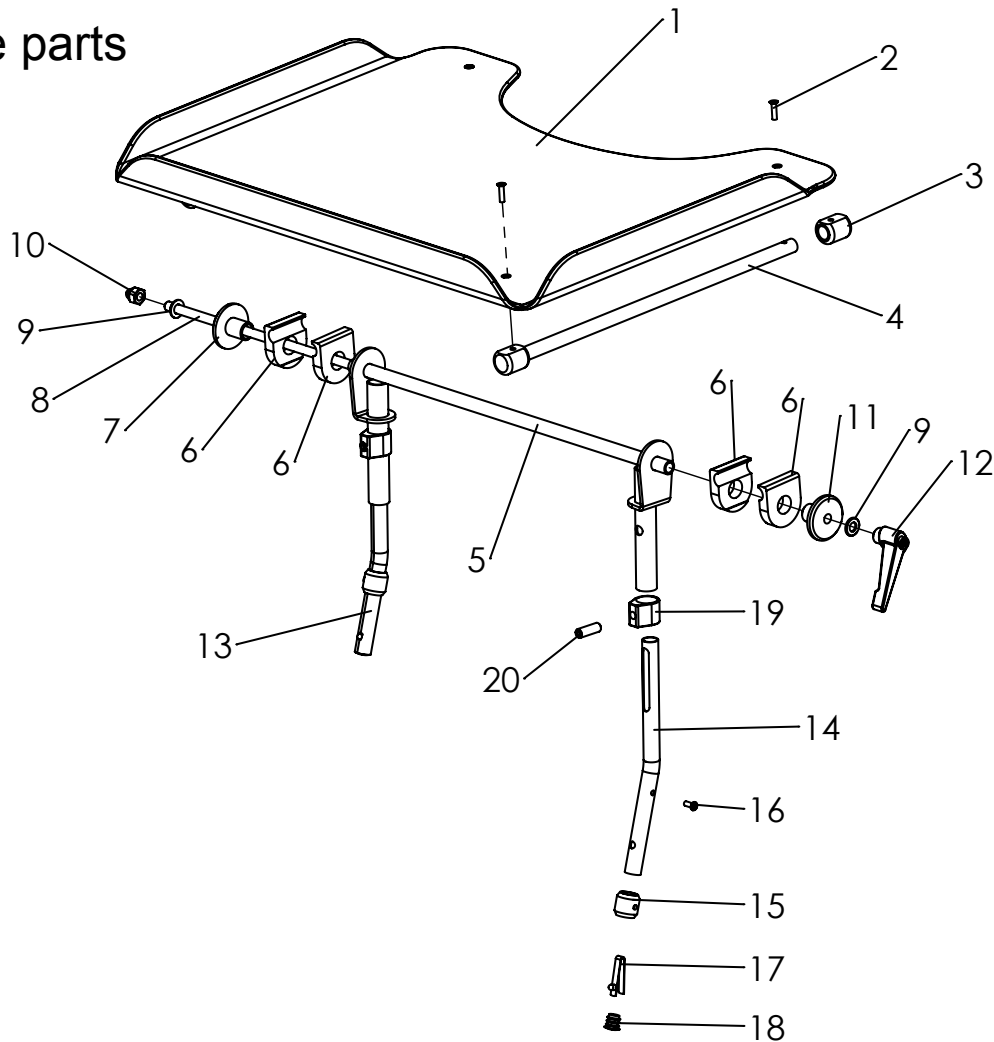
Pos	Article number	Articel description	Quantity	Unit
1-6	3210-7201	Attendant brake, two hand use	1	Set
1	1209-0020	Hand brake 36° no lock 25 mm	2	Pc.
2	1209-0001	Bowden wire set 1,5m	2	Pc.
3	1204-0005	Brake disc with aluminium-ring	2	Pc.
4	1089-0004	Cable tie, black, 5x180	4	Pc.
5	1039-0001	screw for plastic, cross rcessed pan head w. flange 4x10	6	Pc.
6	1149-0001	Cable clip D 25	2	Pc.
		Small parts		
7	3231-7217	Setscrew for cable, 160° angle	2	Pc.
8	1131-0073	Compression spring	2	Pc.
9	1099-0015	Screw nipple	2	Pc.
10	3231-7213	Alu-profile bracket with brake pad	2	Pc.
11	3231-7214	Base plate for hub brake	2	Pc.
12	3231-7212	Cover for hub brake	2	Pc.

Spare parts



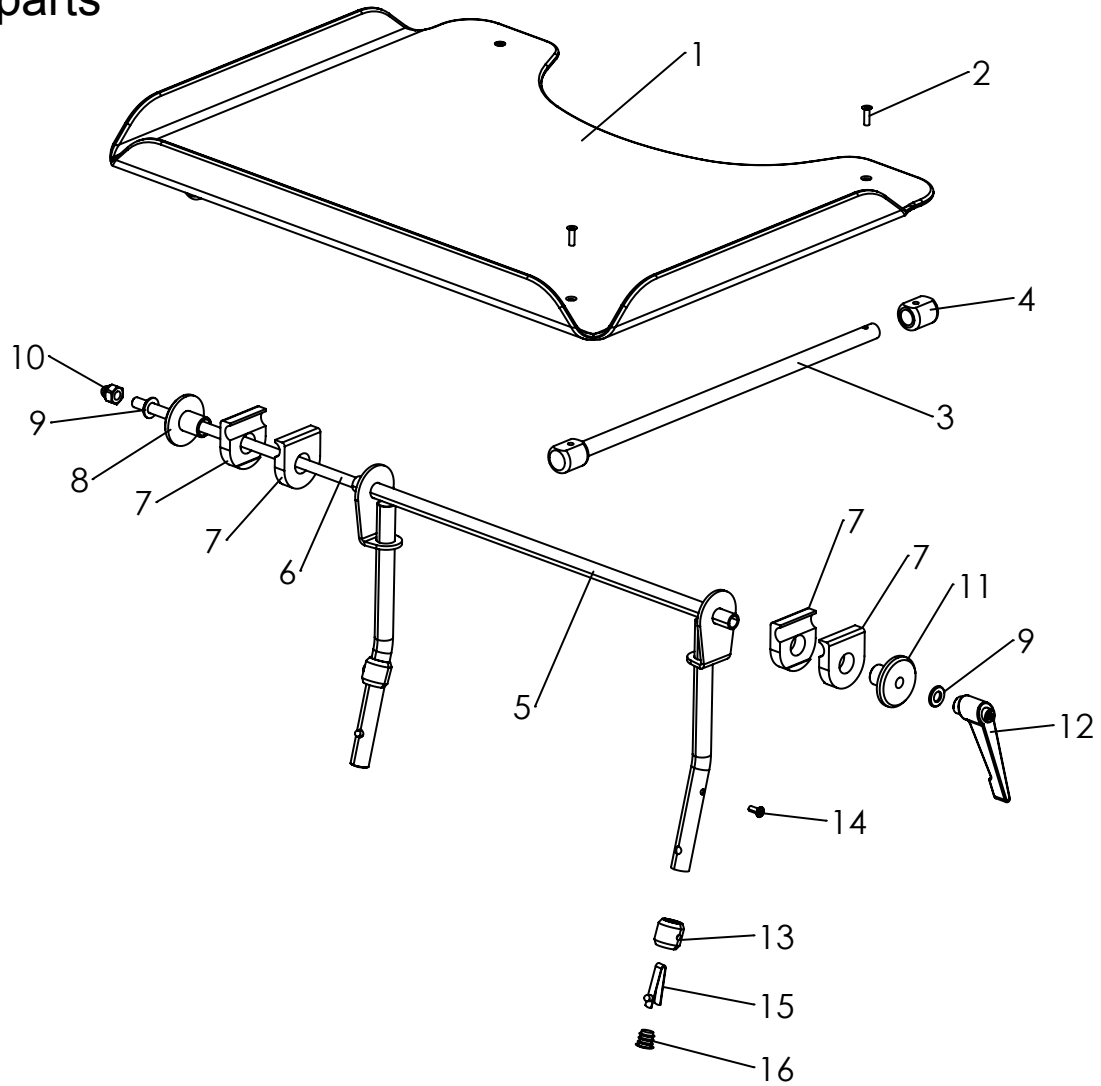
Pos	Article number	Articel description	Quantity	Unit
1-10	3210-8100-xxx	Grab rail with upholstery size 1	1	Set
	3213-8100-xxx	Grab rail with upholstery size 2	1	Pc.
1	3210-8111-002	Grab rail tube left size 1	1	Pc.
	3210-8112-002	Grab rail tube right size 1	1	Pc.
	3213-8111-002	Grab rail tube left size 2	1	Pc.
	3213-8112-002	Grab rail tube right size 2	1	Pc.
2	3201-8120	Bushing	2	Pc.
3	1062-0408	Blind rivet F4x8	2	Pc.
4	1134-0005	Snap button A 102	2	Pc.
5	1141-0010	Ribbed insert SFL 10x0,8-1.5	2	Pc.
6	3210-8114	Connecting pipe	1	Pc.
7	1062-0306	Blind rivet F3x6	4	Pc.
8	1051-0003	Washer A3,2	3	Pc.
9	1062-0308	Blind rivet F3x8	1	Pc.
10	7000-0038	PE foam profile, size 1		
		PE foam profile, size 2		
			66 cm	
			70 cm	

Spare parts



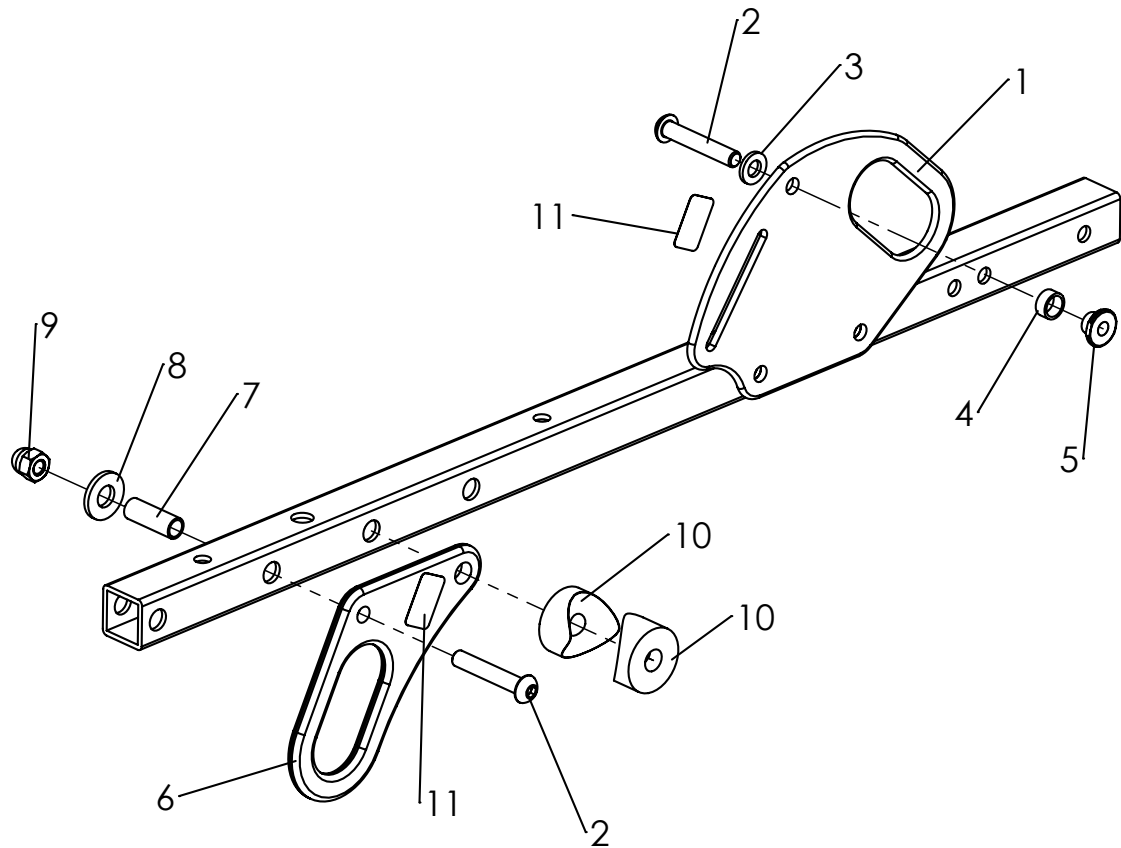
Pos	Article number	Articel description	Quantity	Unit
1-20	3210-8202	Therapy tray size 1, transparent, height adjustable	1	Set
	3210-8203	Therapy tray size 1, grey, height adjustable	1	Set
	3213-8202	Therapy tray size 2, transparent, height adjustable	1	Set
	3213-8203	Therapy tray size 2, grey, height adjustable	1	Set
1	3210-8290	Tray plate clear	1	Pc.
	3210-8291	Tray plate grey	1	Pc.
2	1063-0416	Blind rivet 4x16	4	Pc.
3	3201-8280	Bearing block	4	Pc.
4	3201-8270	Rail	2	Pc.
5	3210-8220	Basic support height adjustable size 1	1	Pc.
	3213-8220	Basic support height adjustable size 2	1	Pc.
6	3201-8230	Clamp half	4	Pc.
7	3201-8250	Clamp disk M8	1	Pc.
8	1039-0002	Thread rod M8x1000 <i>(shorten to 43,5cm)</i>	1	Pc.
9	1051-0008	Washer A8,4	2	Pc.
10	1044-0008	Hexagonal domed cap nut self-locking M8	1	Pc.
11	3201-8240	Clamp disk D 8,5	1	Pc.
12	1121-0800	Locking lever PA black M8	1	Pc.
13	3210-8215	Support hight adjustable left	1	Pc.
14	3210-8216	Support hight adjustable left	1	Pc.
15	3201-8120	Bushing	2	Pc.
16	1062-0410	Blind rivet F4x10	2	Pc.
17	1134-0005	Snap button A 102	2	Pc.
18	1141-0001	Ribbed insert SFL 14x0,8-2	2	Pc.
19	3201-8221	Clamp ring for height adjustable tray	2	Pc.
20	1031-0825	Hexagon socket set screw M8x25	2	Pc.

Spare parts



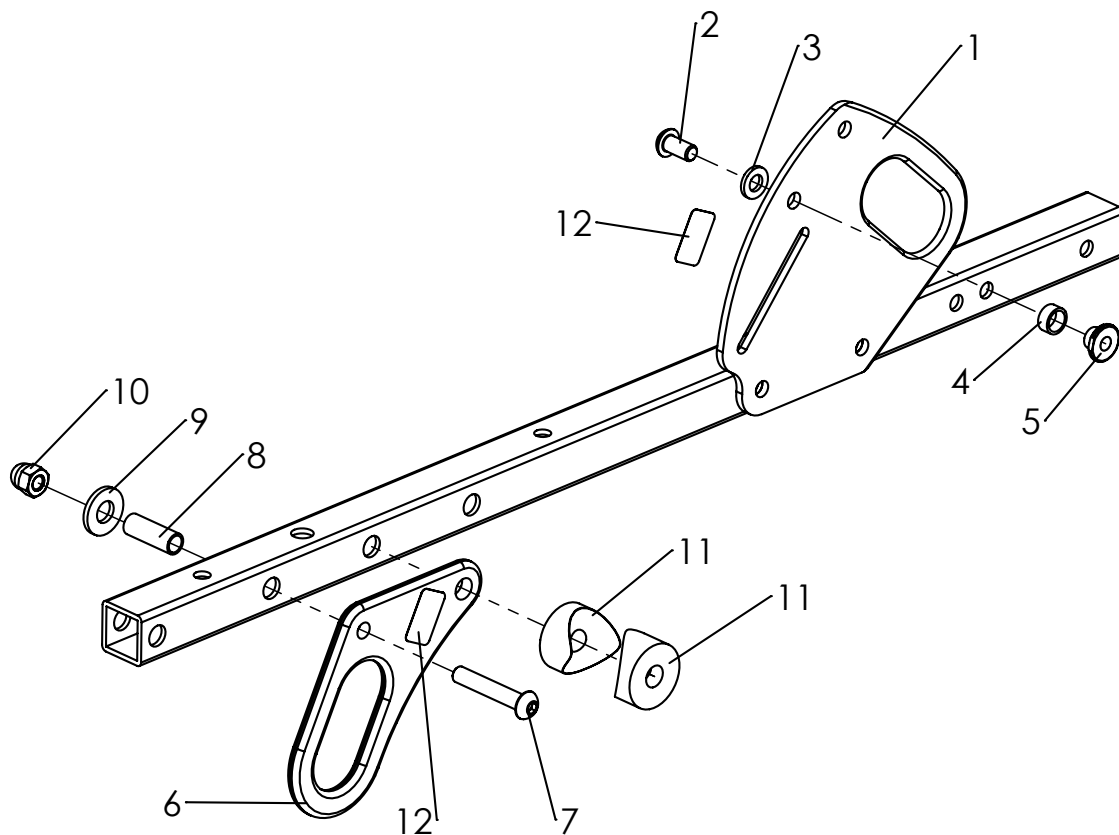
Pos	Article number	Articel description	Quantity	Unit
1-16	3210-8200	Therapy tray size 1, transparent	1	Set
	3210-8201	Therapy tray size 1, grey	1	Set
	3213-8200	Therapy tray size 2, transparent	1	Set
	3213-8201	Therapy tray size 2, grey	1	Set
1	3210-8290	Tray plate clear	1	Pc.
	3210-8291	Tray plate grey	1	Pc.
2	1063-0416	Blind rivet 4x16	4	Pc.
3	3201-8270	Rail	2	Pc.
4	3201-8280	Bearing block	4	Pc.
5	3210-8210	Basic support size 1	1	Pc.
	3213-8210	Basic support size 2	1	Pc.
6	1039-0002	Thread rod M8x1000	1	Pc.
		(shorten to 43,5cm)		
7	3201-8230	Clamp half	4	Pc.
8	3201-8250	Clamp disk M8	1	Pc.
9	1051-0008	Washer A8,4	2	Pc.
10	1044-0008	Hexagonal domed cap nut self-locking M8	1	Pc.
11	3201-8240	Clamp disk D 8,5	1	Pc.
12	1121-0800	Locking lever PA black M8	1	Pc.
13	3201-8120	Bushing	2	Pc.
14	1062-0410	Blind rivet F4x10	2	Pc.
15	1134-0005	Snap button A 102	2	Pc.
16	1141-0001	Ribbed insert SFL 14x0,8-2	2	Pc.

Spare parts



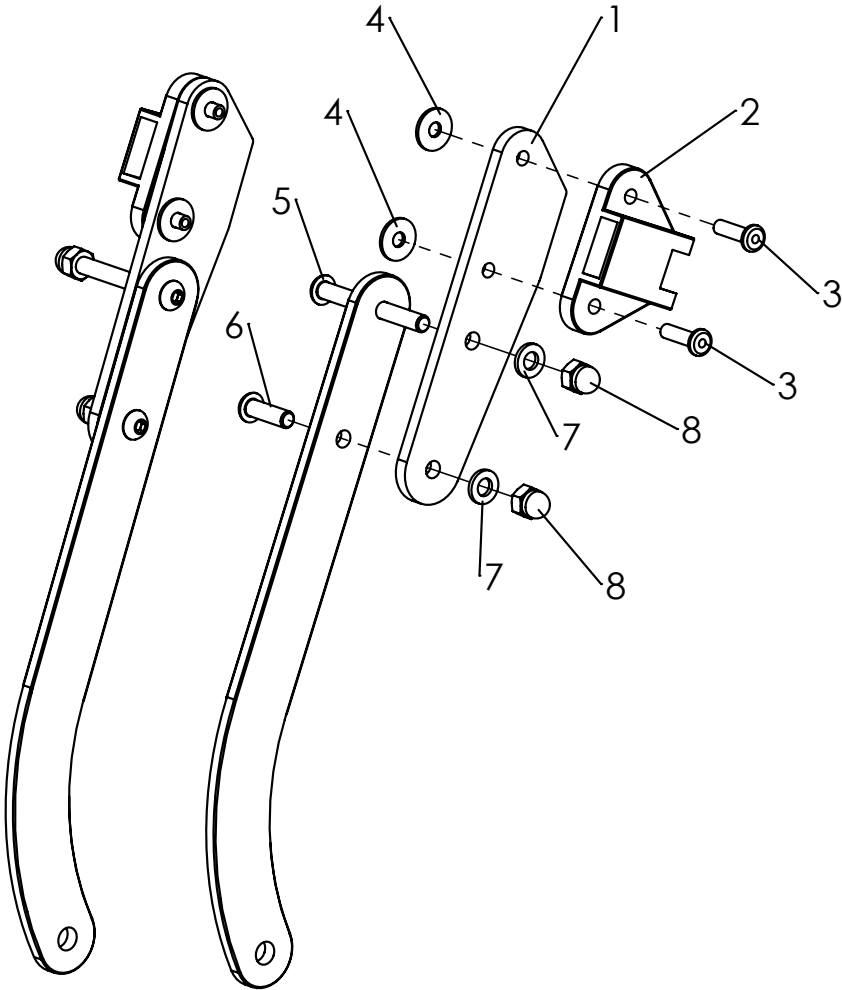
Pos	Article number	Articel description	Quantity	Unit
1-12	3210-7300E	Tie down kit retrofit, size 1	1	Set
1	3210-7330-002	Back bearing with eye, silver	2	Pc.
2	1029-0635	Button head socket screw M6x35	4	Pc.
3	1051-0006	Washer A6,4	2	Pc.
4	3201-7350	Slide bushing	2	Pc.
5	3201-7360	Belt safety knob	2	Pc.
6	3210-7320-002	Front tie down bracket, silver	2	Pc.
7	1114-0012	Bushing zp 8x0,8x22,5	2	Pc.
8	1113-0035	Washer PA 18x8,4x2 black	2	Pc.
9	1044-0006	Hexagonal domed cap nut self-locking M6	2	Pc.
10	1111-0014	Saddle washer PA black 24x8.4x6	4	Pc.
11	1914-0007	Adhesive lable with hook symbol (4 pcs.)	1	Pc.

Spare parts



Pos	Article number	Articel description	Quantity	Unit
1-12	3213-7300E	Tie down kit retrofit, size 2	1	Set
1	3213-7330-002	Back bearing with eye, silver size 2	2	Pc.
2	1029-0612	Button head socket screw M6x12	4	Pc.
3	1051-0006	Washer A6,4	2	Pc.
4	3201-7350	Slide bushing	2	Pc.
5	3201-7360	Belt safety knob	2	Pc.
6	3210-7320-002	Front tie down bracket, silver	2	Pc.
7	1029-0635	button head socket screw M6x35	2	Pc.
8	1114-0012	Bushing zp 8x0,8x22,5	2	Pc.
9	1113-0035	Washer PA 18x8,4x2 black	2	Pc.
10	1044-0006	Hexagonal domed cap nut self-locking M6	2	Pc.
11	1111-0014	Saddle washer PA black 24x8.4x6	4	Pc.
12	1914-0007	Adhesive lable with hook symbol (4 pcs.)	1	Pc.

Spare parts



9



10

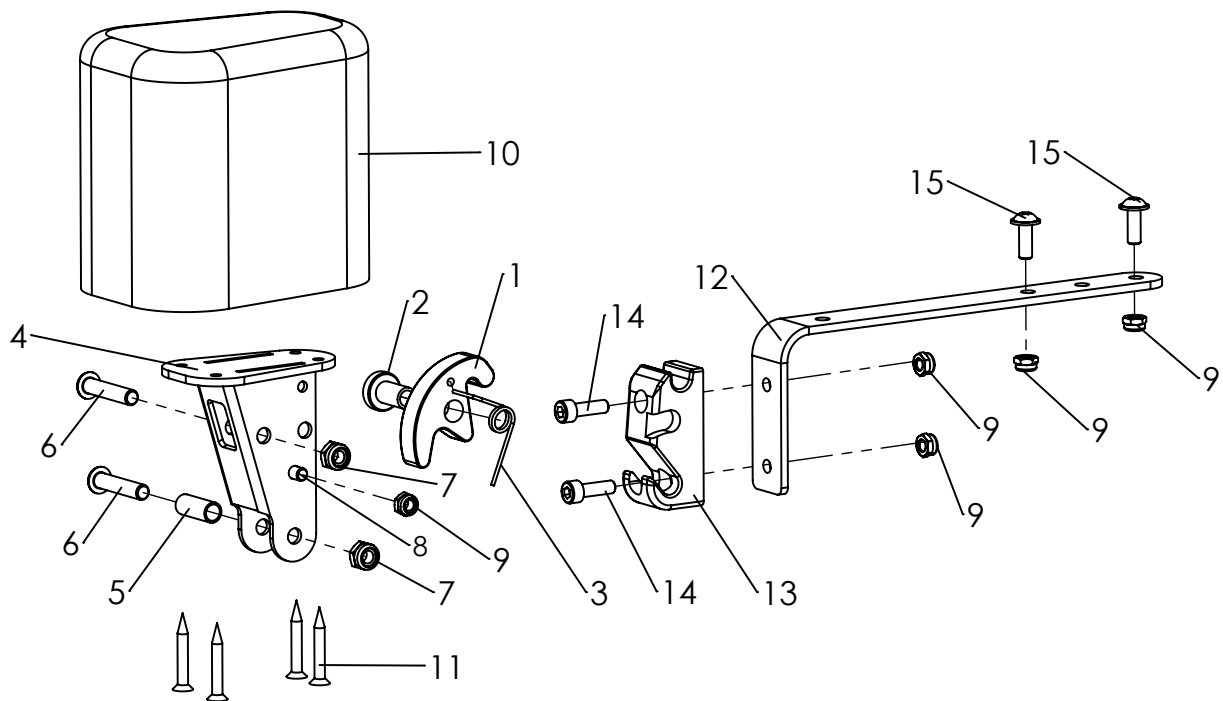


11

Spare parts

Pos	Article number	Articel description	Quantity	Unit
1-12	3210-9300-xxx	Canopy size 1, incl. adapter and rain protection, grey	1	Set
	3213-9300-xxx	Canopy size 2, incl. adapter and rain protection, grey	1	Set
1-8	3210-9330E	ZIP size 1 canopy adapter compl. (retrofit)	1	Pair
	3213-9330E	ZIP canopy adapter size 2 compl. (retrofit)	1	Pair
1	3210-9311	Mounting adapter size 1	2	Pc.
	3213-9311	Mounting adapter size 2	2	Pc.
2	7000-0005	Canopy holder	2	Pc.
3	1062-0518	Blind rivet F5x18	4	Pc.
4	1055-0005	Washer A5,3	4	Pc.
5	1029-0655	Button head socket screw M6x55	2	Pc.
6	1029-0620	Button head socket screw M6x20	2	Pc.
7	1051-0006	Washer A6,4	4	Pc.
8	1044-0006	Hexagonal domed cap nut self-locking M6	4	Pc.
9	7000-0036-xxx	Canopy (w/o rain cover) Zip, grey	1	Pc.
10	7000-0053	Rain cover for canopy, ZIP size 1	1	Pc.
	7000-0037	Rain cover for canopy Zip size 2	1	Pc.
11	7000-0004	Ratchet joint for canopy with fasteners	2	Pc.

Spare parts



Pos	Article number	Articel description	Quantity	Unit
1-15	3210-7800	Abduction block size 2 swing away and detachable, w/o cover	1	Pc.
	3213-7800	Abduction block size 3 swing away and detachable, w/o cover	1	Pc.
1	3231-7841	Arresting clamp	1	Pc.
2	3231-7842	Bearing arresting clamp	1	Pc.
3	1133-0020	Leg spring 1,25 x 9,25 x 2,25	1	Pc.
4	3231-7820-032	A-wedge support	1	Pc.
5	1114-0013	Bushing zp 8x0,8x20	1	Pc.
6	1029-0630	Button head socket screw M6x30	2	Pc.
7	1042-0006	Hexagon nut self-locking M6	2	Pc.
8	1021-0508	Cylinder head screw M5x8	1	Pc.
9	1042-0005	Hexagon nut self-locking M5	6	Pc.
10	3201-7910	Wood wedge size 2 with PU-foam	1	Pc.
	3203-7810	Wood wedge size 2 with PU-foam	1	Pc.
11	1028-0430	Pressboard screw countersunk head 4x30	4	Pc.
12	3213-7831-015	A-wedge mounting adapter black	1	Pc.
13	3231-7832	Arresting part for A-wedge	1	Pc.
14	1021-0516	Hexagon socket head cap screw M5x16	2	Pc.
15	1030-0514	Button head socket screw with flange M5x14	2	Pc.
	3201-7940-323	Cover for abduction block size 2 iron grey	1	Pc.
	3203-7840-323	Cover for abduction block size 3, iron grey	1	Pc.

HOGGI GmbH
Eulerstraße 27 • 56235 Ransbach-Baumbach • Deutschland
Telefon: (+49) 2623 / 92 499-0 • Telefax: (+49) 2623 / 92 499-99
E-mail: info@hoggi.de • www.hoggi.de
