
HOGGI[®]



SWINGBO-VTi Spare parts catalogue

en

Index

1	Modellidentification and basic equipment	
1.1	Modellidentifikation _____	4
1.2	Basic equipment _____	4
2	Assemblies	
2.1	Assemble overview _____	5
3	Spare parts	
3.1	Base frame _____	6
3.2	Central unit _____	7
3.3	Cros and Axel tube _____	8
3.4	Anti tipper _____	9
3.5	Seat adapter _____	10
3.6	Seat frame _____	11
3.7	Tilt adjustment _____	12
3.8	Push bar _____	13
3.9	Push handle _____	14
3.10	Push-handle adapter _____	15
3.11	Push bar, foldable and angle adjustable _____	16
3.12	Part`s list for Push bar, foldable and angle adjustable _____	17
3.13	Push handle, foldable _____	18
3.14	Part`s list for Push handle _____	19
3.15	Push bar, foldable _____	20
3.16	Parts list Push bar _____	21
3.17	Wheel guard _____	22
3.18	Break lever for integrated break _____	23
3.19	Break _____	24
3.20	Caster fork _____	25
3.21	Front wheels _____	26
3.22	Rear wheels _____	27
3.23	Push rims _____	28
3.24	Drum break _____	29
3.25	Part`s list , Drum break _____	30
3.26	Seat panal _____	31
3.27	Hip suport _____	32
3.28	Abduction block _____	33
3.29	Back panel _____	34
3.30	Back panel _____	35
3.31	Back base _____	36
3.32	Cross member _____	37
3.33	Base, back panel _____	38
3.34	Foot rest hanger 90° _____	39
3.35	Foot rest hanger, angle adjustable _____	40
3.36	Single foot rest hanger, angle adjustable _____	41
3.37	Foot rest bracket angle adjustable, flip up type _____	42
3.38	Foot rest bracket angle adjustable, flip up type, lockable _____	43
3.39	Single foot rest bracket _____	44
3.4	Footreast _____	45
3.41	Seat cushion _____	46
3.42	Contoured seat cushion _____	47
3.43	Spoke guard _____	48

Index

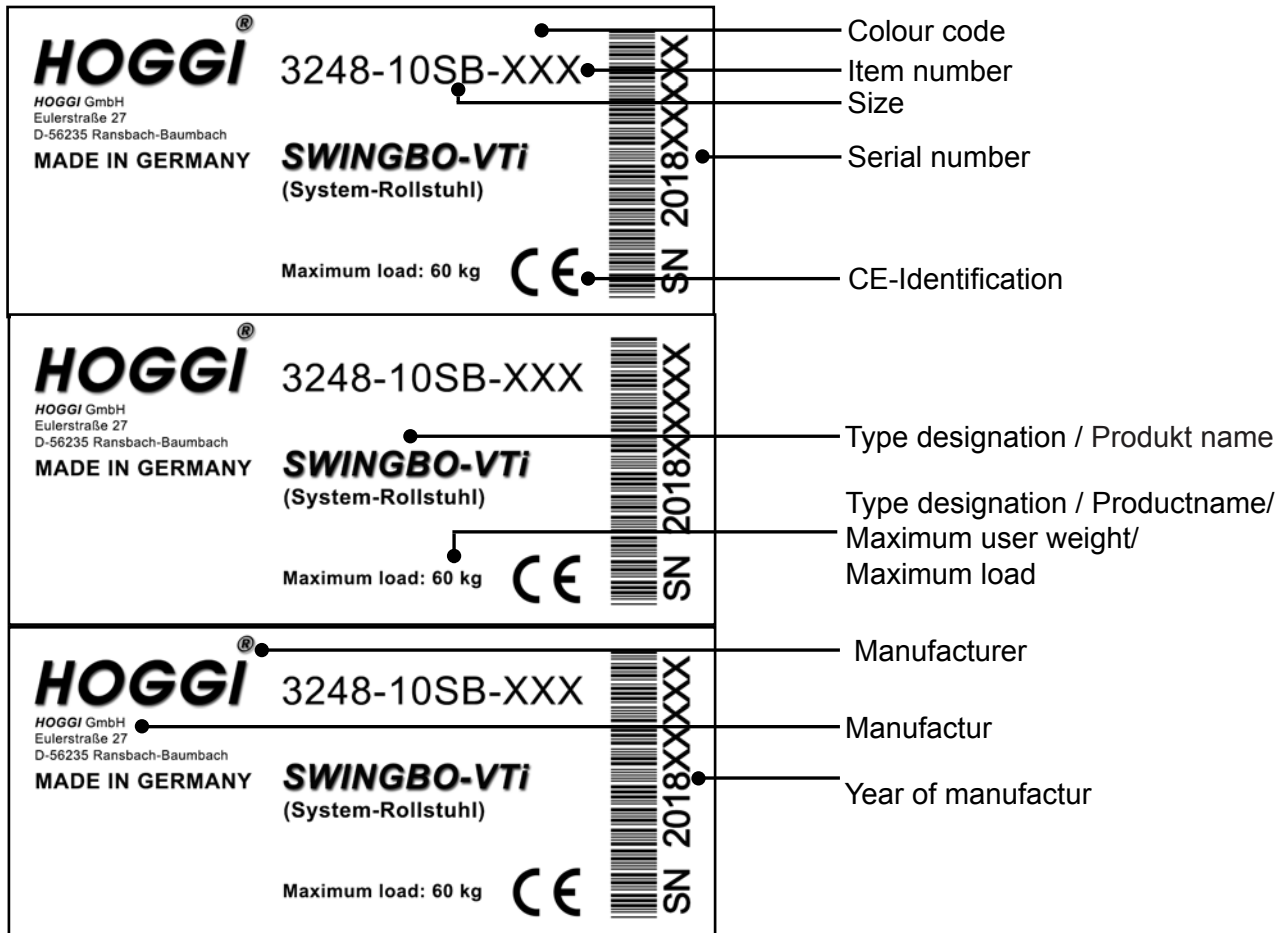
3 Spare parts

3.44	Part`s list, for Spoke guard _____	49
3.45	Push rim cover in silicone _____	50
3.46	Head support, standard _____	51
3.48	Universal headrest bracket _____	52
3.47	Head rest with mounting bracket _____	53
3.50	Tie down kit _____	54
3.51	Trunk support for through shaped back panal _____	55
3.52	Trunk support 12x13x2, only for height and angle adjustable back panal _____	56
3.53	Armrest _____	57
3.54	Armrest with tilt balancing _____	58
3.55	Therapy trai _____	59
3.56	Clamping unit for tray _____	60
3.57	Bumper wheels _____	61
3.58	Holder plate for Canopy _____	62

Modelidentification

The lable with the serial number is placed on the back of the axle tube.

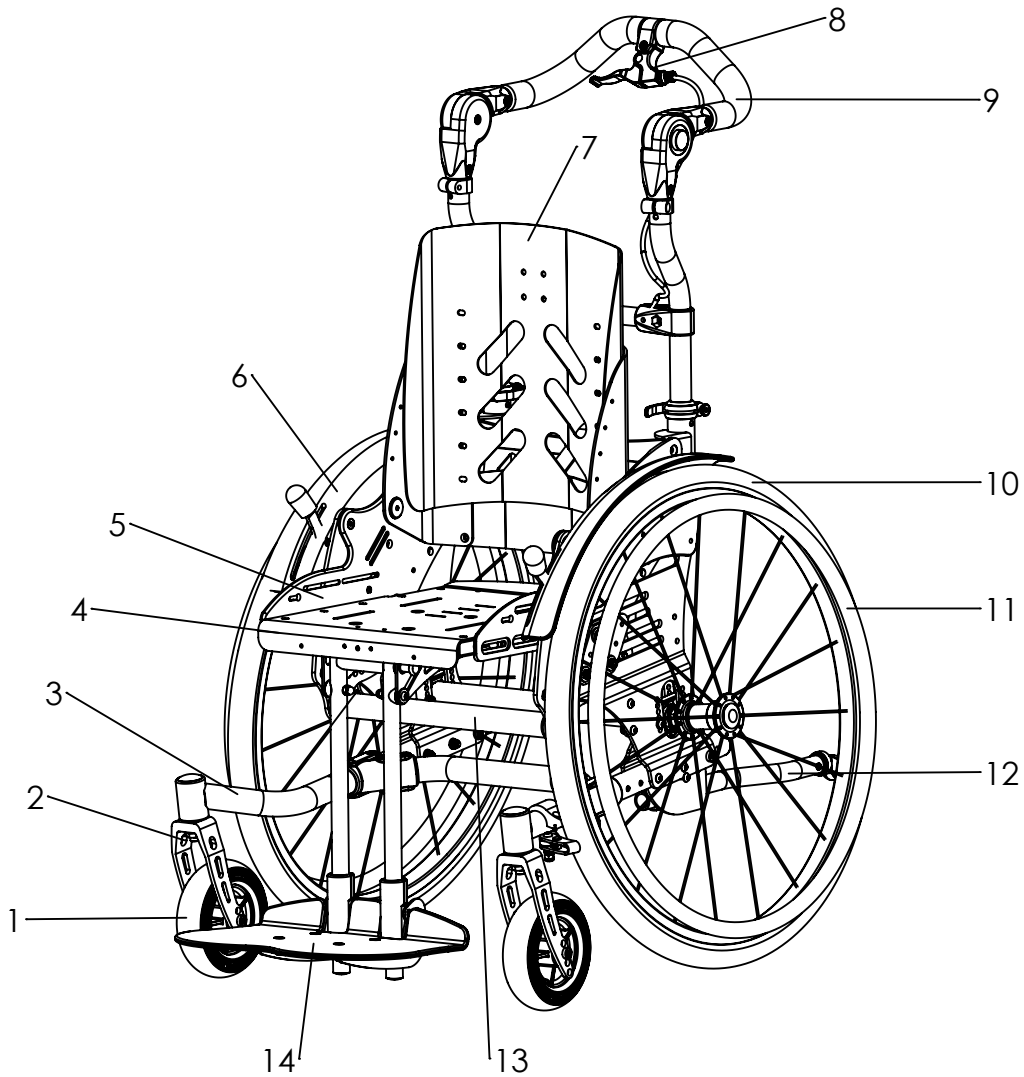
Please give us the Serial number with every spare part order, to ensure a correct delivery.



Basic configuration:

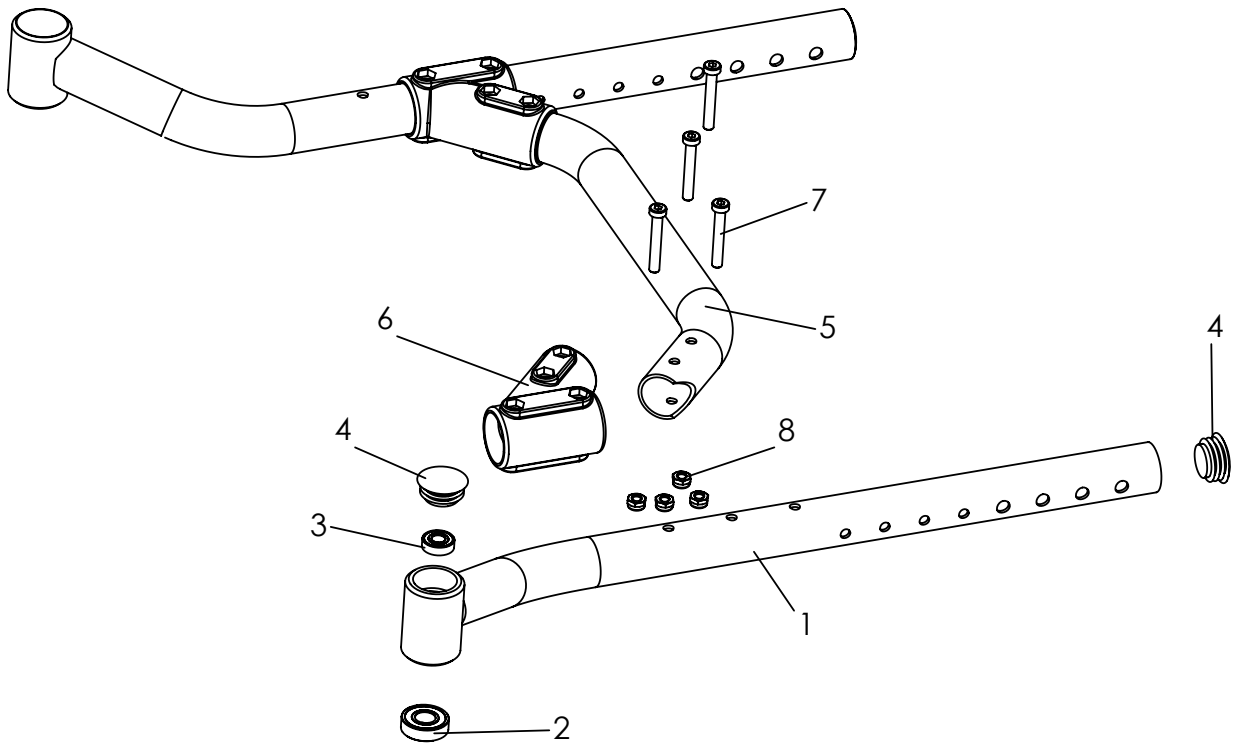
- SWINGBO VTi-Wheelchair with seat-system
- Front and rear wheels
- Fender with integrated break
- Push bar or Push handle
- Anti tip

Module Overview



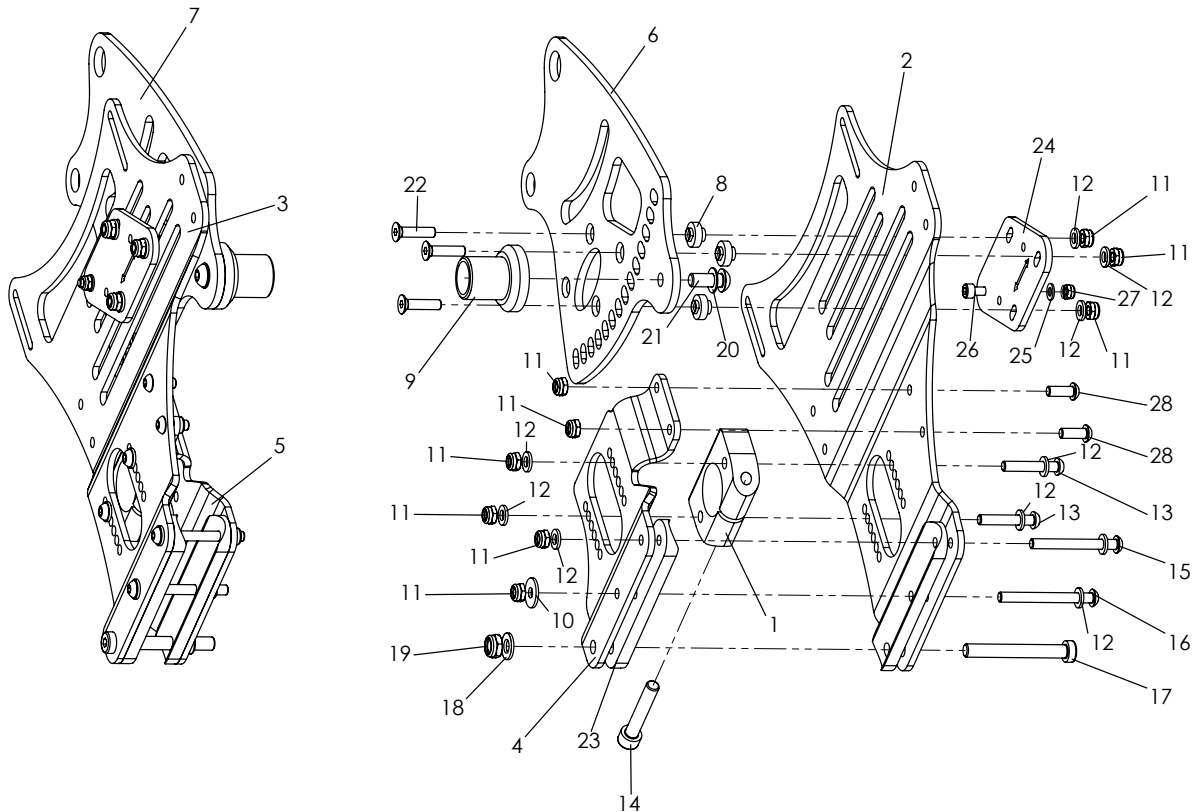
Pos	Article number	Article description	Page
1	12XX-XXX	Front wheels	25
2	1281-00XX	Caster fork	24
3	3248-11SBE-xxx	Bais frame	5
4	3246-22SBE	Seat frame	10
4	3246-25SBE	Seat surface	30
5	3246-151XE	Seat adapter	9
6	3248-16XXE	Fender	21
7	3245-28XXE-xxx	Back panel	from 33
8	3246-1900E	Tilt adjustment	11
9	3245-XXSBE	Pusch bar, options	from 12
10	1292-XXX	Rear wheels	26
11	1204-00XX	Push rims	27
12	3248-1800E	Tilt stop	8
13	3246-12SBE	Cross tube	7
14	3246-40XX	Foot rest hanger	from 38
	3240-XXXX	Foot board	from 41

Spare parts



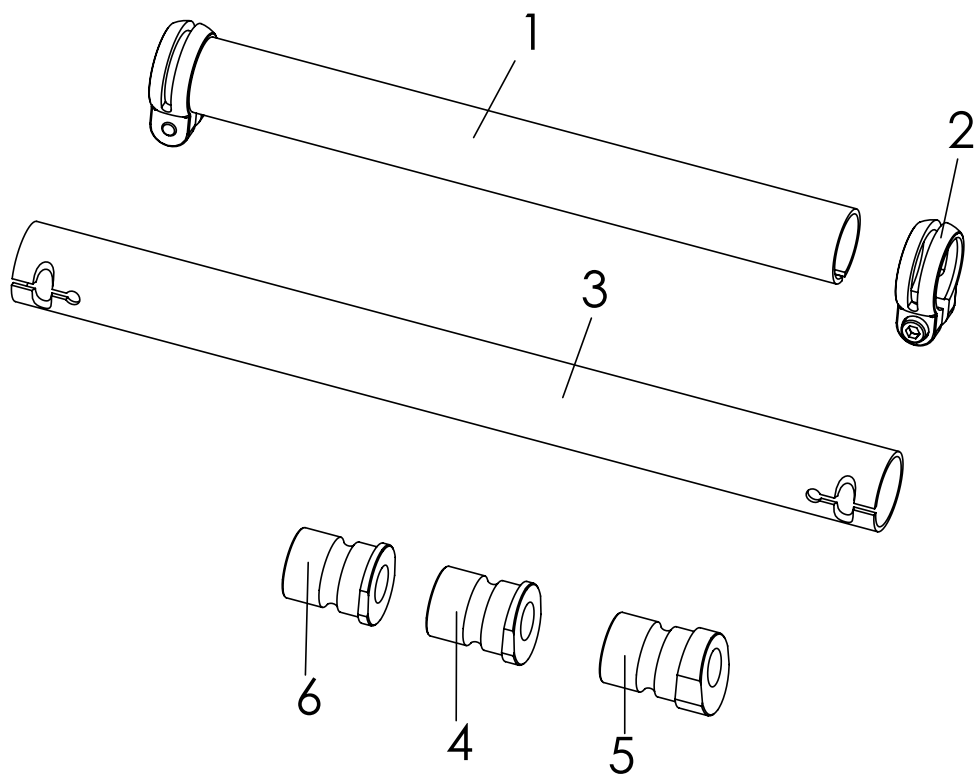
Pos	Article number	Article description	Quantity	Unit
1-8	3248-11SWE-000	Base Frame SWINGBO, in frame colour	1	Pc.
1-4	3248-1116E-000	Side frame left	1	Pc.
	3248-1117E-000	Side frame right	1	Pc.
2	1090-0005	Grooved ball bearing D28xd12x8	2	Pc.
3	1090-0001	Grooved ball bearing D19xd8x6	2	Pc.
4	1141-0016	Ribbed insert SFL 30 30x0,8-2,5	4	Pc.
5-8	3240-12SWE-000	Cross tube	1	Pc.
6	3240-1160	Fastener	2	Pc.
7	1022-0640	Cylinder head screw M6x40	8	Pc.
8	1042-0006	Hexagon nut self-locking M6	8	Pc.

Spare parts



Pos	Article number	Articel description	Quantity	Unit
1-27	3248-1200E	SBO-VTi central unit, complete	1	Pc.
1	3240-1340-007	Position adapter, black adodised	2	Pc.
2	3248-1251-015	Base plate left, black	1	Pc.
3	3248-1252-015	Base plate right, black	1	Pc.
4	3248-1255-015	Adapterplate left, black	1	Pc.
5	3248-1256-015	Base plate right, black	1	Pc.
6	3248-1261-015	Tilt bearing VTi left, black	1	Pc.
7	3248-1262-015	Tilt bearing VTi right, black	1	Pc.
8	3248-1264	Guiding bushing tilt bearing	6	Pc.
9	3245-1211-006	Clamping adapter, anodised	2	Pc.
10	1055-0006	Washer A6,4	2	Pc.
11	1042-0006	Hexagon nut self-locking M6	18	Pc.
12	1051-0006	Washer A6,4	20	Pc.
13	1029-0635	button head socket screw M6x35	4	Pc.
14	1021-0845	Cylinder head screw M8x45	2	Pc.
15	1029-0655	button head socket screw M6x55	2	Pc.
16	1029-0660	button head socket screw M6x60	2	Pc.
17	1022-0865	Hexagon socket head cap screw M8x65	2	Pc.
18	1051-0008	Washer A8,4	2	Pc.
19	1042-0008	Hexagon nut self-locking M8	2	Pc.
20	1052-0008	Spring washer B8	2	Pc.
21	1029-0820	Button head socket screw M8x20	2	Pc.
22	1024-0625	Hexagon socket countersunk head screw M6x25	6	Pc.
23	3248-1156	Seat rail 100	4	Pc.
24-27	3248-1265E-000	Pressure plates, in frame colour	1	Pair
25	1051-0005	Washer A5,3	2	Pc.
26	1021-0512	Cylinder head screw M5x12	2	Pc.
27	1042-0005	Hexagon nut self-locking M5	2	Pc.
28	1029-0616	Button head socket screw M6x16	4	Pc.

Spare parts

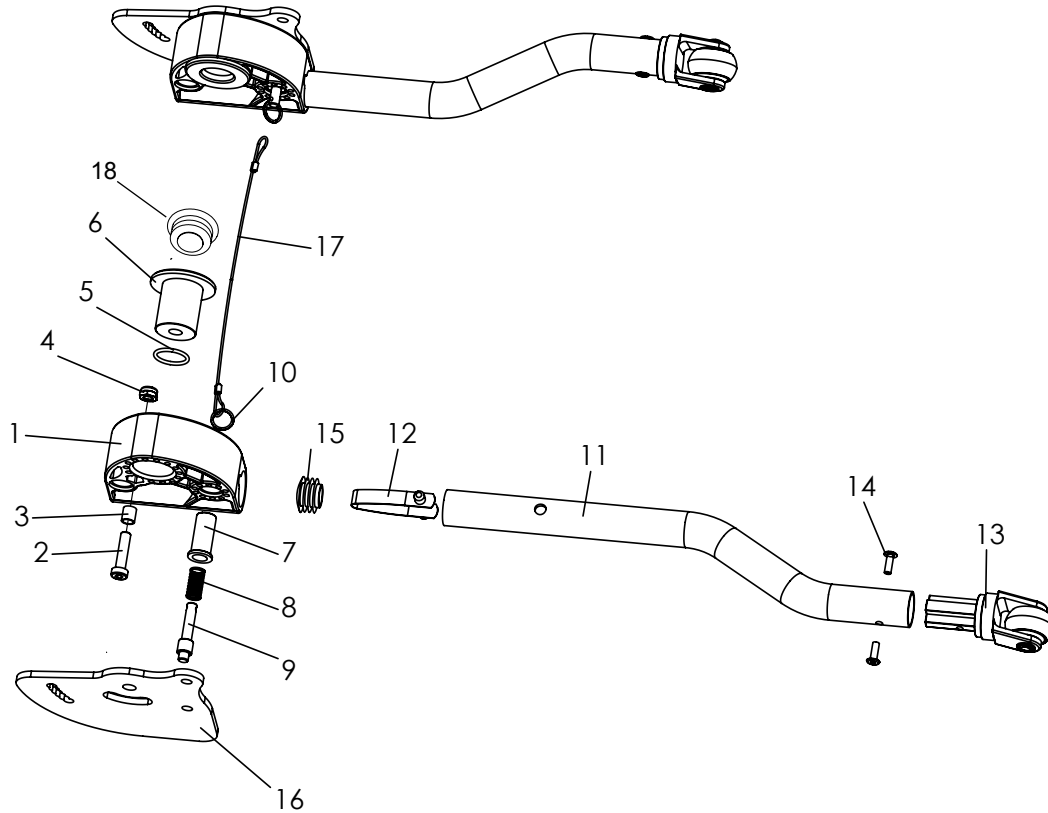


Pos	Article number	Article description	Quantity	Unit
1-2	3246-12SWE-007	Cross tube, complete	1	Pc.
1	3246-12SW-007	Cross tube	1	Pc.
2	1129-0010	Saddle clamp d 29,8 mm black	2	Pc.
3	3240-14SW-007	Axle tube	1	Pc.
4	3240-1372-006	adapter housing 6°, anodised	2	Pc.
5	3240-1352-006	adapter housing 9°, anodised	2	Pc.
6	3240-1362-006	adapter housing 3°, anodised	2	Pc.

1. Cross tube must be completed with SW of Wheel chair

3. Axle tube must be added with 2 for correct SW (SW 28 + 2=30)

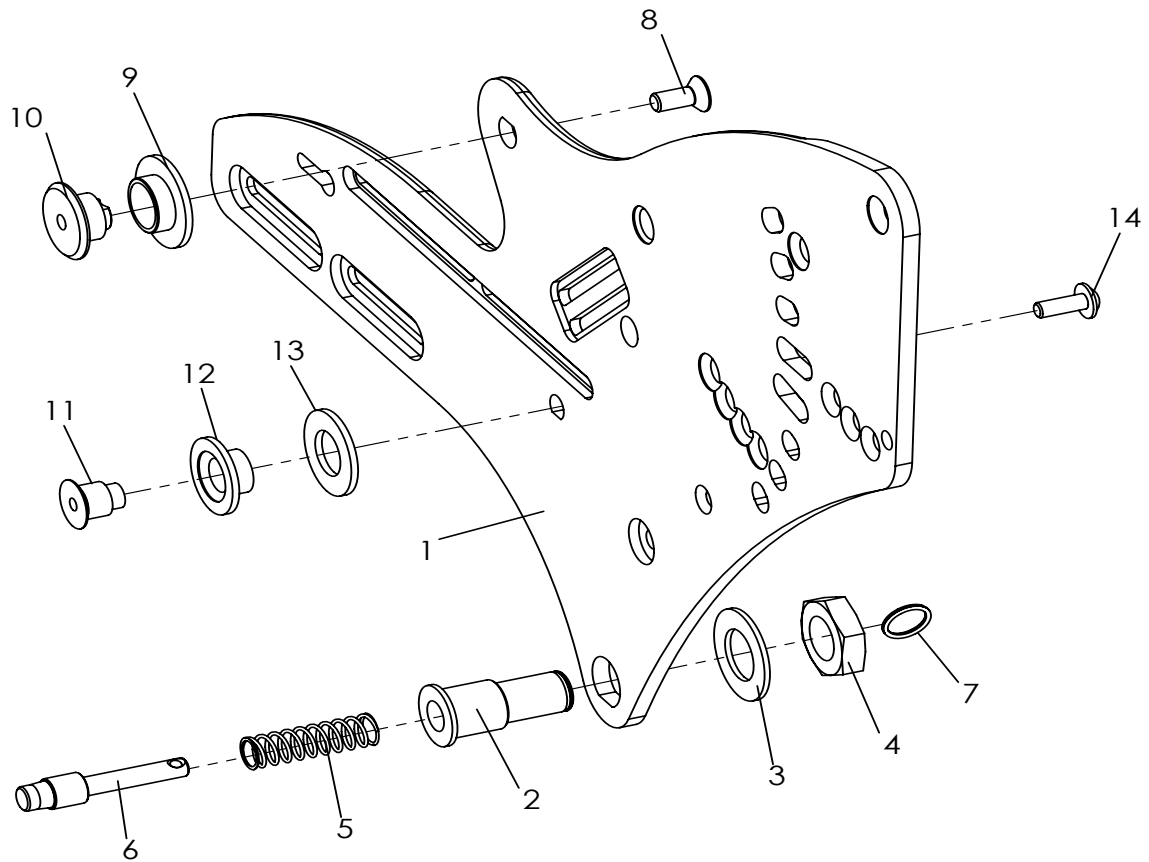
Spare parts



Pos	Article number	Articel description	Quantity	Unit
1-18	3248-1800E	Anti tip left and right	1	Set
11-15	3248-1861	SBO-VTi anti tip tube, left complete	1	Pc.
11-15	3248-1862	SBO-VTi anti tip tube, right complete	1	Pc.
1	3248-1821	Anti tip holder	2	Pc.
2	1022-0625	Hexagon socket head cap screw M6x25	2	Pc.
3	1114-0055	Bushing 8x0,8x8,7	2	Pc.
4	1042-0006	Hexagon nut self-locking M6	2	Pc.
5	1150-0001	O-ring NBR D18x2	2	Pc.
6	3248-1812	Bearing shaft	2	Pc.
7	3201-7520	Spring housing	2	Pc.
8	1131-0036	Compression spring D-127d 0,8x8,3x29	2	Pc.
9	3201-7530	Lock pin	2	Pc.
10	1129-0036	Key ring 16x1,6	2	Pc.
11	3248-1831-007	Anti tip tube	2	Pc.
12	1134-0008	Snap button D-131	2	Pc.
13	1249-0007	Insertion fork and castor	2	Pc.
14	1062-0412-006	Blind rivit F4x12	4	Pc.
15	1141-0008	Ribbed insert SFL 22x0,8-3,0	2	Pc.
16	3248-1811-015	Guide plate anti-tilt	2	Pc.
17	3248-188x	Wire-rope for VTi twin anti tippers, SW 24	1	Pc.
18	1141-0009	Ribbed insert 25x1-2,5	2	Pc.

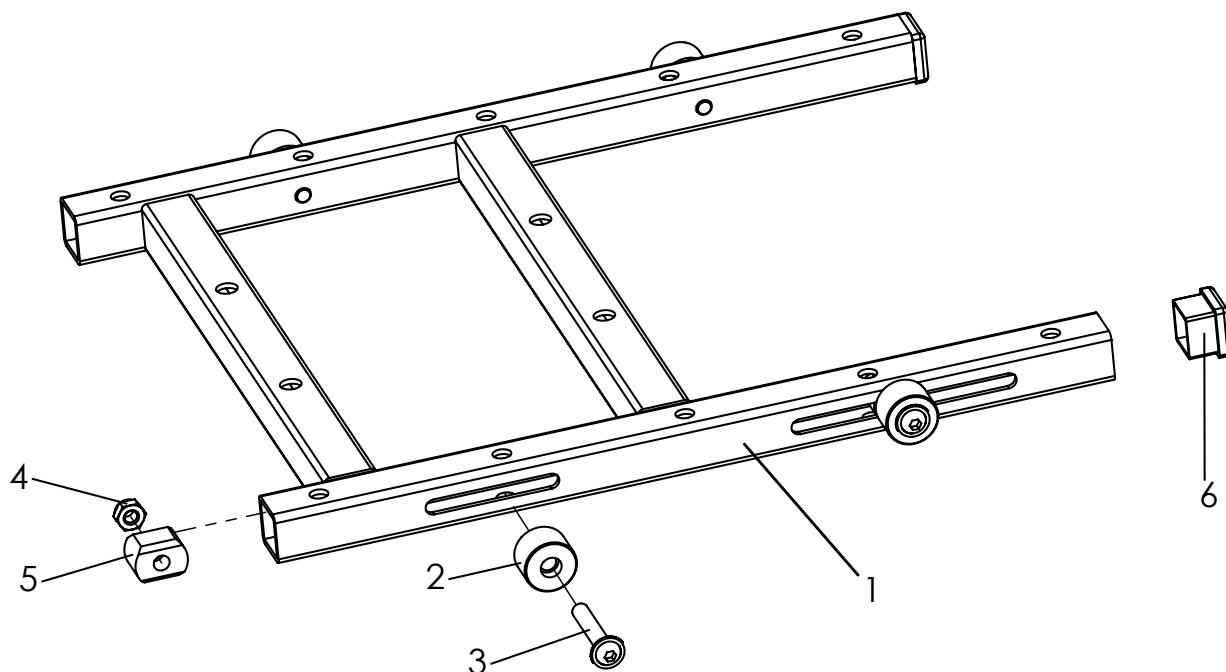
SB =	24	26	28	30	32	34	36	40	44
X =	1	2	3	4	5	6	7	8	9
When orderd, please give us the correct No.!									

Spare parts



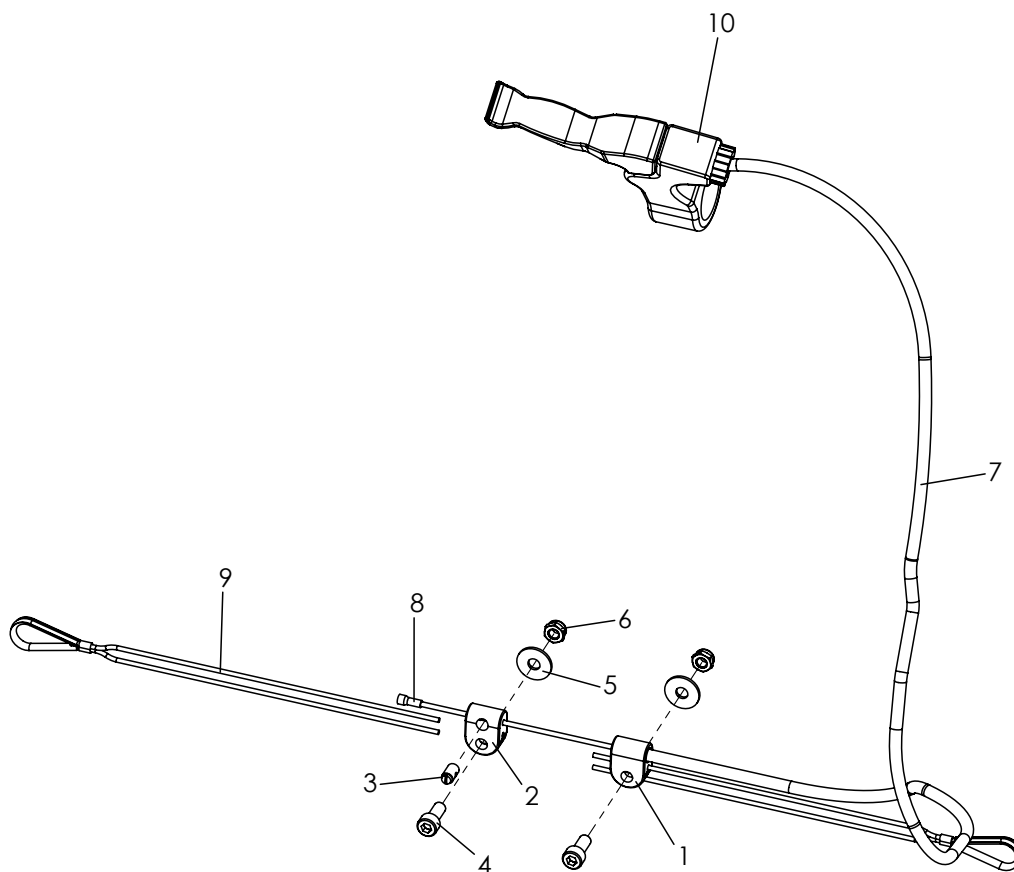
Pos	Article number	Articel description	Quantity	Unit
1-14	3248-1512E-015	Seat adapter left size 1, complete	1	Pc.
	3248-1513E-015	seat adapter right size 1, black, complete	1	Pc.
1	3248-1512-015	Seat adapter left size 1, black	1	Pc.
	3248-1513-015	Seat adapter right size 1, black	1	Pc.
2	3246-1145	Bolt housing	1	Pc.
3	1052-0016	Spring washer B16	1	Pc.
4	1040-0016	Hexagon nut 16x 1,5	1	Pc.
5	1131-0070	Compression D-162 1,0x9,0x36x9,5	1	Pc.
6	3240-2422	Locking bolt	1	Pc.
7	1129-0036	key ring 16x1,6	1	Pc.
8	1024-0614	Hexagon socket countersunk head screw M6x14	1	Pc.
9	3246-1146	Bushing 30x18x15x7,2	1	Pc.
10	3246-1147	Bearing axle tipping	1	Pc.
11	3246-1521	Stop pin	1	Pc.
12	3246-1522	Stop bushing	1	Pc.
13	1113-0052	Washer PA 15x25x2	1	Pc.
14	1030-0514	Button head socket screw with flange M5x14	1	Pc.

Spare parts



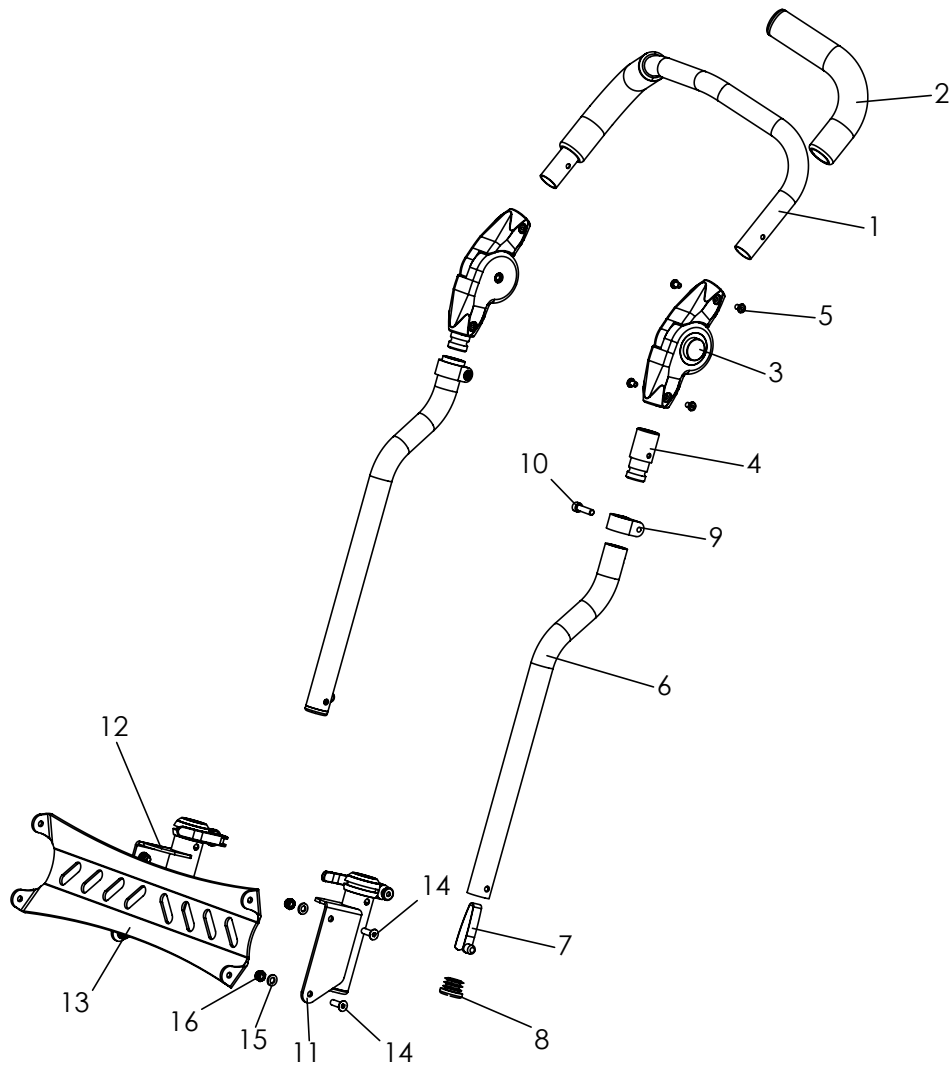
Pos	Article number	Articel description	Quantity	Unit
1-6	3246-22SWE-015	Seat frame, complete, black	1	Pc.
1	3246-22SW-015	Seat frame, black	1	Pc.
2	3245-2111	Distance bushing 20/6,2x13,5	4	Pc.
3	1030-0630	Button head socket screw with flange M6x30	4	Pc.
4	1042-0006	Hexagon nut self-locking M6	4	Pc.
5	3231-2262	Clamping block	4	Pc.
6	1141-0020	Ribbed insert VL 20x20x0,8-3 black	2	Pc.

Spare parts



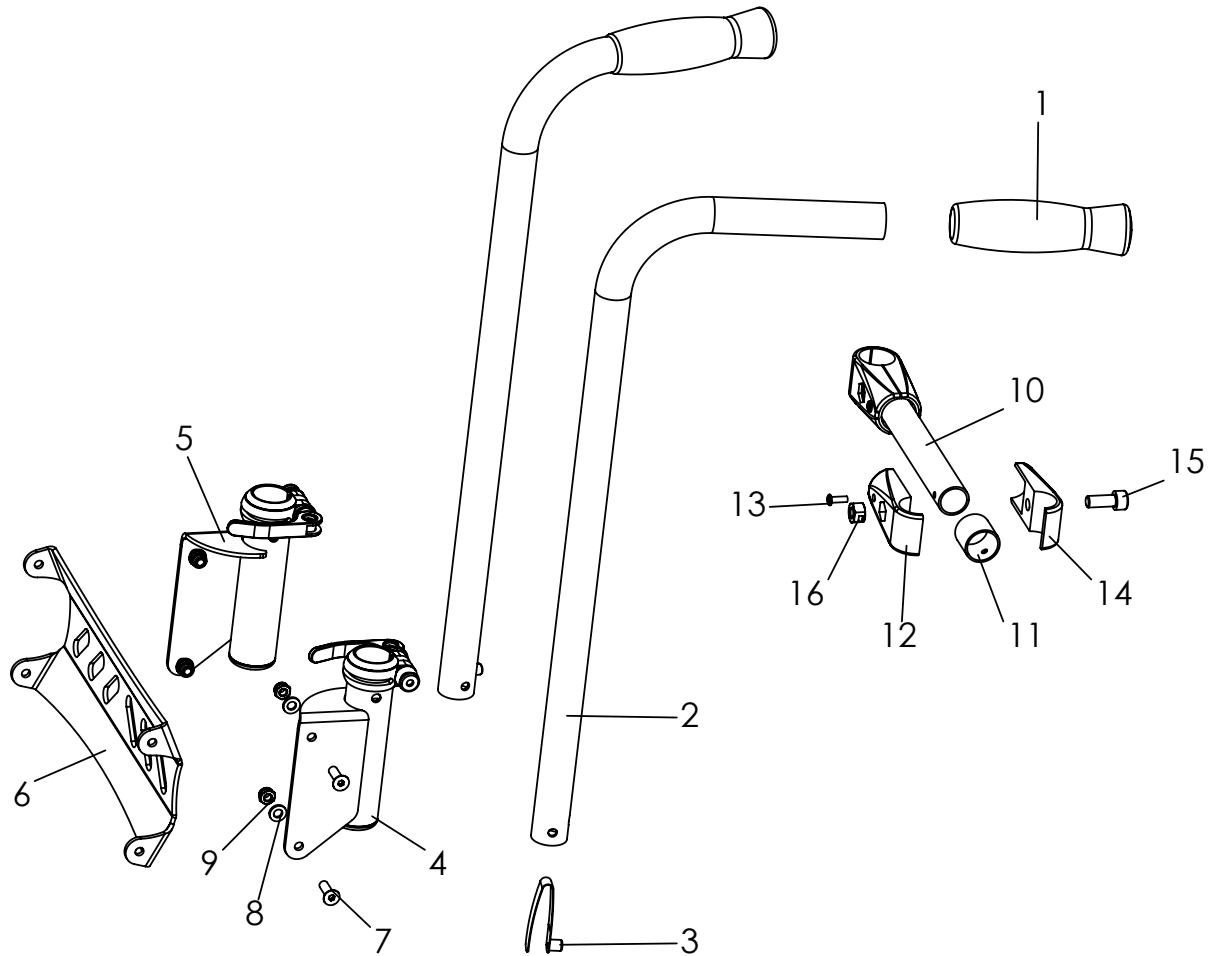
Pos	Article number	Articel description	Quantity	Unit
1-9	3246-1900E	Tilt adjustment	1	Pc.
1	3243-1931	Bowden bearing	1	Pc.
2	3243-1932	Nipple bearing	1	Pc.
3	1099-0004	Screw nipple 1100, D5x8	1	Pc.
4	1021-0516	Hexagon socket head cap screw M5x16	2	Pc.
5	1055-0005	Washer A5,3	2	Pc.
6	1042-0005	Hexagon nut self-locking M5	2	Pc.
7	1209-0016	Bowden cable 67cm	1	Pc.
8	1209-0007	End cap aluminium	1	Pc.
9	1129-1001	Universal wire-rope with rope thimble for seat angle adjustment	1	Pc.
	1099-0018	Rope thimble	2	Pc.
	1129-0011	Wire-rope 1,2x1,8 mm	2	Pc.
	1089-0005	Cable clamp	2	Pc.
10	1209-0015	Brake lever aluminium for 3 fingers use	1	Pc.

Spare parts



Pos	Article number	Articel description	Quantity	Unit
1-16	3245-55SWE	Push bar, detachable	1	Pc.
1-5	3240-5550E	Push bar upper part size 1, complete, from SW 24 up to SW 34	1	Pc.
	3240-5560E	Push bar upper part size 2 complete, for SW 36	1	Pc.
1	3240-5552-001	Push bar upper part size 1	1	Pc.
	3240-5562-001	Push bar upper part size 2	1	Pc.
2	1143-0001	Handle grip EVA black d30 x 260	2	Pc.
3	1129-0009	Ratchet joint 25x22	1	Pair
4	3240-5554	Coupling binder	2	Pc.
5	1062-0508	Blind rivet F5x8	8	Pc.
6	3245-3113-007	Push bar bottom part, anodised, black	2	Pc.
7	1134-0006	Snap button B 141 7,7x9,4	2	Pc.
8	1141-0015	Ribbed insert GL 25x1-2.5	2	Pc.
9	3240-5553-007	Clamping ring, anodised	2	Pc.
10	1021-0625	Hexagon socket head cap screw M6x25	2	Pc.
11*	3245-5150E	Push-handle adapter left	1	Pc.
12*	3245-5170E	Push-handle adapter right	1	Pc.
13	3245-52SB-015	Slid valve cross bar	1	Pc.
14	1024-0620	Hexagon socket countersunk head screw M6x20	4	Pc.
15	1051-0006	Washer A6,4	4	Pc.
16	1042-0006	Hexagon nut self-locking M6	4	Pc.

Spare parts

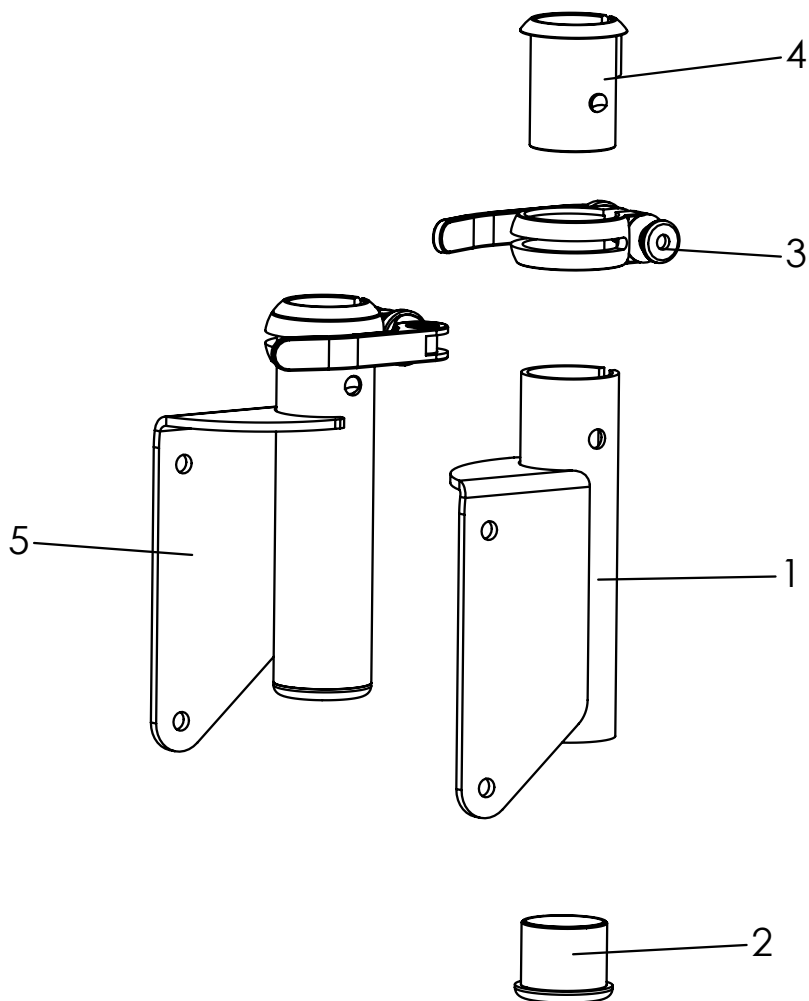


Pos	Article number	Articel description	Quantity	Unit
1-17	3245-56SWE	Push handle with handle grip, complete	1	Set
1	1143-0005	Handle grip black d25 x 120	2	St
2	3245-5611-007	Bent tube push handle, anodised black	2	St
3	1134-0006	Snap button B 141 7,7x9,4	2	St
4	3245-5150E	Push-handle adapter, left	1	St
5	3245-5170E	Push-handle adapter, right	1	St
6	3245-52SB-015	Slide valve cross bar	1	St
7	1024-0620	Hexagon socket countersunk head screw M6x20	4	St
8	1051-0006	Washer A6,4	4	St
9	1042-0006	Hexagon nut self-locking M6	4	St
10-16	3245-57SWE	Cross tube, complete	1	St
10	3245-57SW-015	Cross tube	1	St
11	3245-5711	Reducing bush	2	St
12	1145-0001-015	Tube connector T-90° 25/25 with bore 4,2	2	St
13	1062-0412	Blind rivet F4x12	2	St
14	1145-0002-015	Tube connector T-90° 25/25 4,2	2	St
15	1021-0820	Hexagon socket head cap screw M8x20	2	St
16	1049-0067	BILOC-nut M8	2	St

Pos. 15

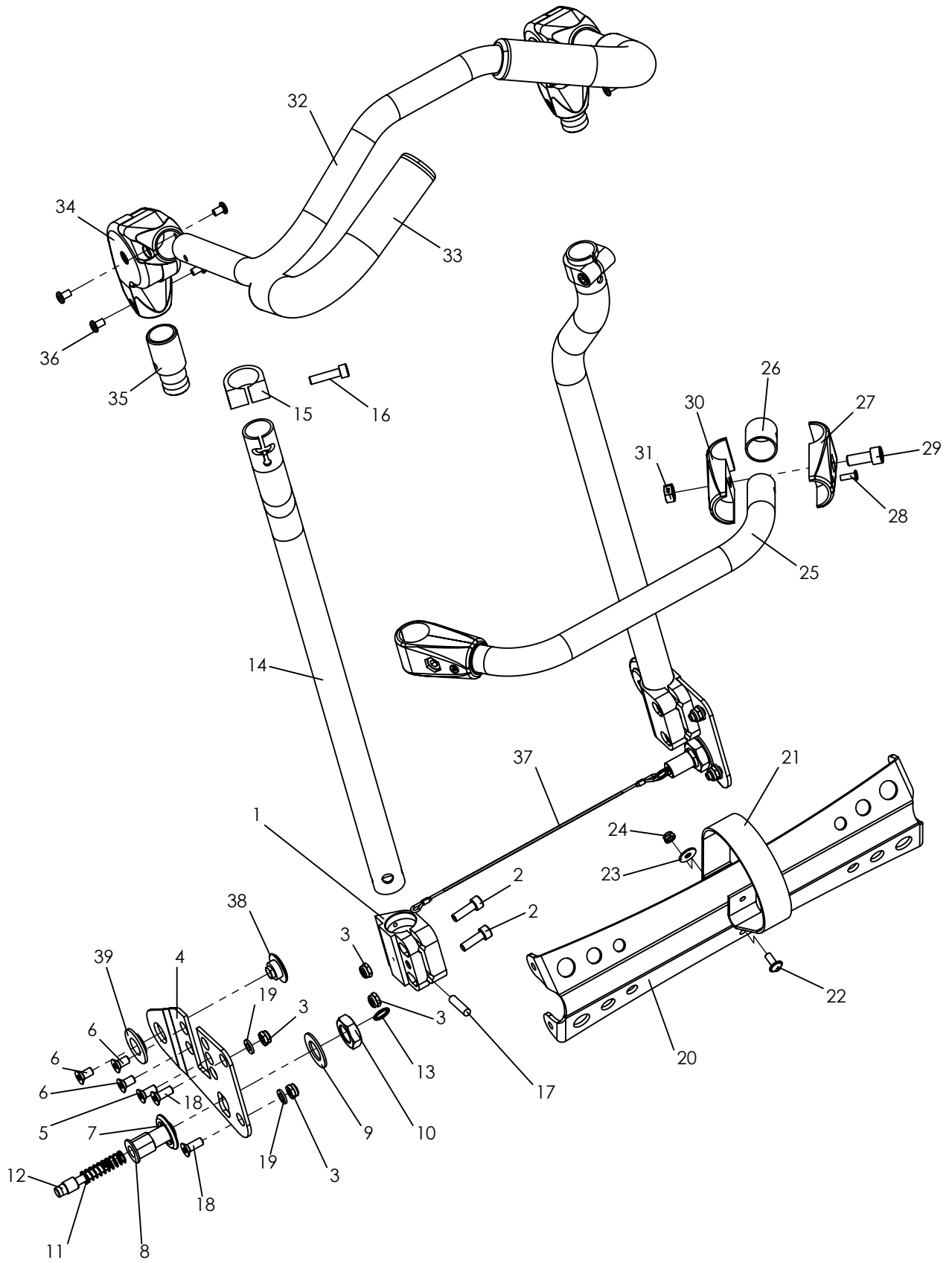
Tighten screw with max. 15 nm.

Spare parts



Pos	Article number	Articel description	Quantity	Unit
1-4	3245-5150E	Push-handle adapter left, complete	1	Pc.
2-5	3245-5170E	Push-handle adapter right, complete	1	Pc.
1	3245-5160-015	Push-handle adapter left	1	Pc.
2	3301-1530	Flange bushing	1	Pc.
3	1129-0007	Saddle clamp with quick-release D 31,8	1	Pc.
4	3301-1240	Clamp bushing	1	Pc.
5	3245-5170-015	Push-handle adapter right	1	Pc.

Spare parts



Spare parts

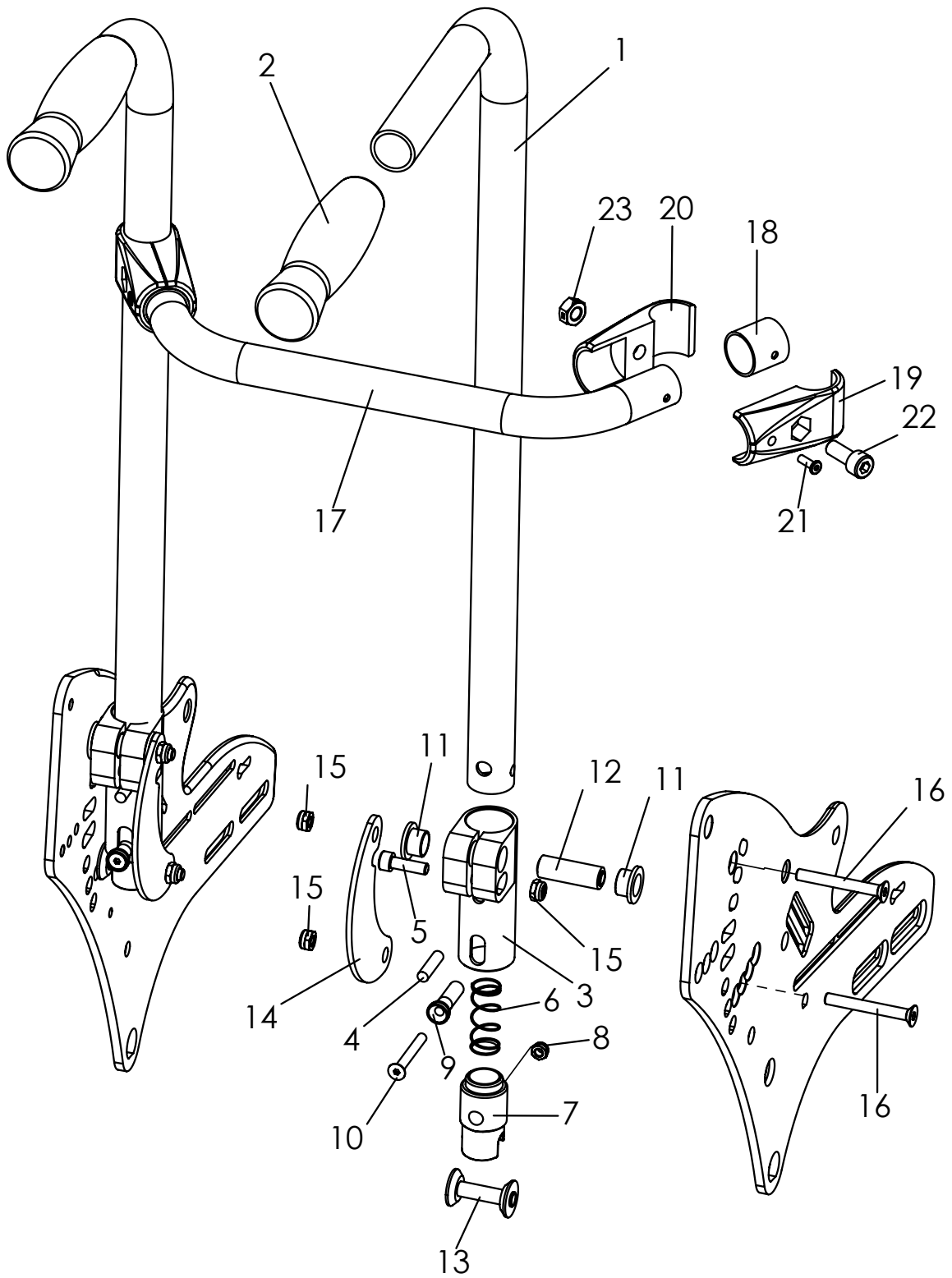
Pos	Article number	Articel description	Quantity	Unit
1-39	3248-30SWE	Push bar, foldable and angle adjustable	1	Set
1	3248-3511-007	Push-bar adapter, anodised	2	Pc.
2	1021-0620	Hexagon socket head cap screw M6x20	4	Pc.
3	1042-0006	Hexagon nut self-locking M6	8	Pc.
4	3248-3512-015	Back base left	1	Pc.
	3248-3513-015	Back base right	1	Pc.
5	1024-0614	Hexagon socket countersunk head screw M6x14	2	Pc.
6	1024-0612	Hexagon socket countersunk head screw M6x12	6	Pc.
7	3248-3013	Thrust washer	2	Pc.
8	3246-1145	Bolt housing	2	Pc.
9	1052-0016	Spring washer B16	2	Pc.
10	1040-0016	Hexagon nut zp 16x 1,5	2	Pc.
11	1131-0070	Compression D-162 1,0x9,0x36x9,5	2	Pc.
12	3240-2422	Locking bolt	2	Pc.
13	1129-0036	Key ring 16x1,6	2	Pc.
14	3245-3113-007	Push bar bottom part	2	Pc.
15	3240-5553-007	Clamping ring	2	Pc.
16	1021-0625	Hexagon socket head cap screw M6x25	2	Pc.
17	1071-0624	Parallel pin m6x24	2	Pc.
18	1024-0616	Hexagon socket countersunk head screw zp DIN/ISO 7991 M6x16	4	Pc.
19	1051-0006	Washer A6,4	6	Pc.
20	3248-36SB-015	Slid valve cross bar	1	Pc.
21	1512-0012	PP strap 25x350 black with a sewn loop opposite the perforation	1	Pc.
22	1030-0512	button head socket screw with flange M5x12	1	Pc.
23	1055-0005	Washer A5,3	1	Pc.
24	1042-0005	Hexagon nut self-locking M5	1	Pc.
25-31	3245-36SWE	Cross bail, complete	1	Pc.
25	3245-36SW-015	Cross bail	1	Pc.
26	3245-5711	Reducing bush	2	Pc.
27	1145-0001-015	Tube connector T-90° 25/25 with bore 4,2, stuctural black	1	Pc.
28	1062-0412	Blind rivet F4x12	2	Pc.
29	1021-0820	Hexagon socket head cap screw M8x20	2	Pc.
30	1145-0002-015	Tube connector T-90° 25/25 4,2 structural black	2	Pc.
31	1049-0067	BILOC-nut M8	2	Pc.
32-36	3240-5550E	Push bar upper part size 1, complete, from SW 24 up to SW 34	1	Pc.
	3240-5560E	Push bar upper part size 2 complete, from SW 36	1	Pc.
32	3240-5552-015	Push bar upper part size 1	1	Pc.
	3240-5562-015	Push bar upper part size 2	1	Pc.
33	1143-0002	Handle grip rubber black d22 x 125	2	Pc.
34	1129-0009	Ratchet joint 25x22	1	Pair
35	3240-5554	Coupling binder	2	Pc.
36	1062-0508	Blind rivet F5x8	8	Pc.
37	3248-308X	Wire-ropc for push handle angle adjustable	2	Pc.
38	3245-2614	Bearing shaft	2	Pc.
39	3245-2613	Flange bushing	2	Pc.

SW =	24	26	28	30	32	34	36
X =	1	2	3	4	5	6	7
When orderd, please give us th seat w idth!							

Pos. 29

Tighten screw with max. 15 nm.

Spare parts



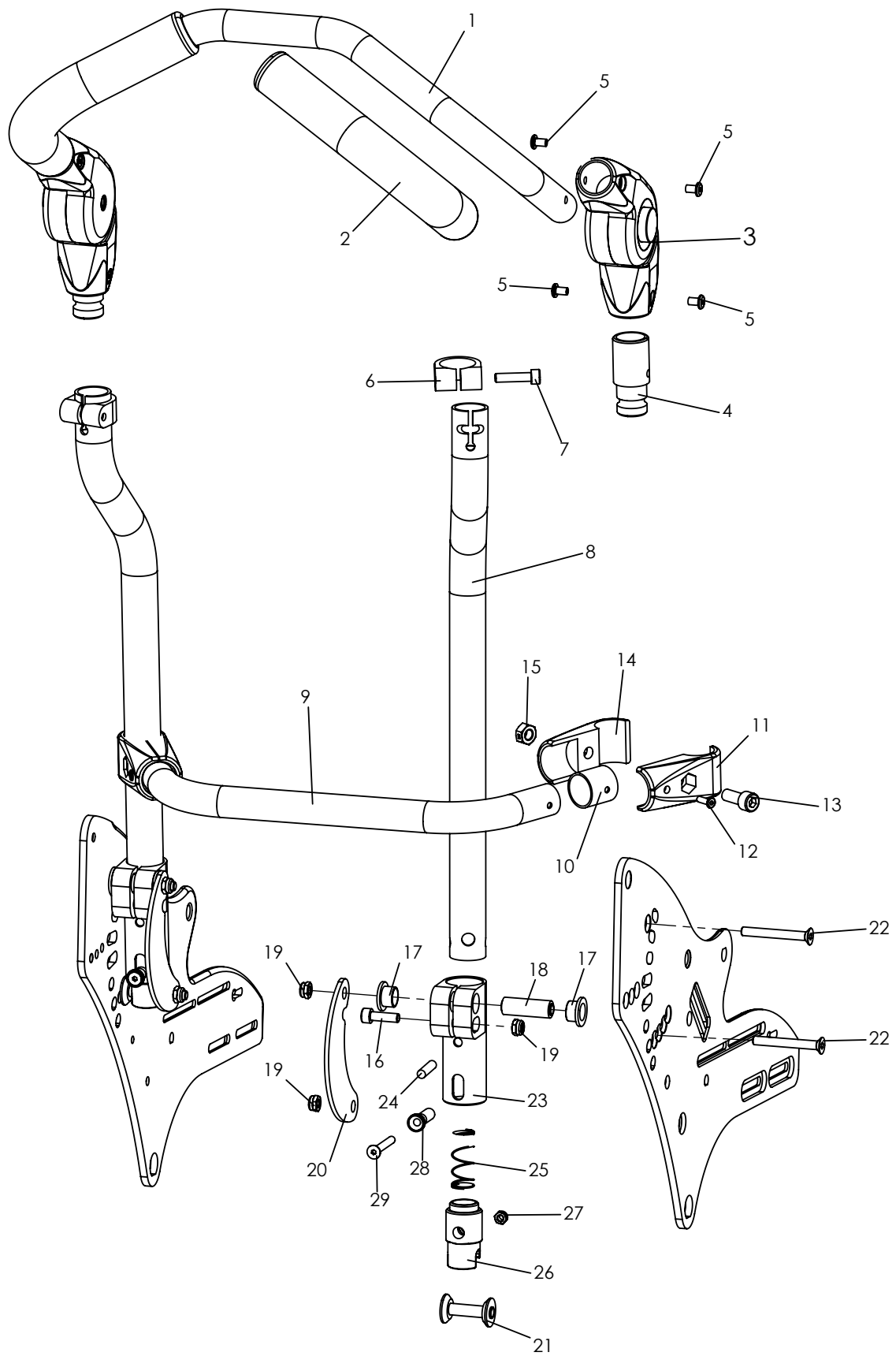
Spare parts

Pos	Article number	Articel description	Quantity	Unit
1-23	3245-35SWE	Push handles, foldable	1	Set
1-2	3245-5610E	Push handle	1	Pc.
1	3240-5311-007	Bent tube push handle	2	Pc.
2	1143-0004	Handle grip black d22 x 120	2	Pc.
3-16	3245-3010E-007	Push bar holder, complete	2	Pc.
3	3245-3011-007	Push-bar adapter	2	Pc.
4	1071-0624	Parallel pin M6x24	2	Pc.
5	1021-0620	Hexagon socket head cap screw M6x20	2	Pc.
6	1131-0064	Compression spring D-142A 0,9x15x39,2x3,5	2	Pc.
7	3245-5112	Locking claw	2	Pc.
	3245-5113	Locking claw, for tie down kit		
8	1042-0005	Hexagon nut self-locking M5	1	Pc.
9	3245-3013	Activator	2	Pc.
10	1024-0540	Hexagon socket countersunk head screw M5x40	2	Pc.
11	3245-3019	Flanged bush	4	Pc.
12	3245-3015	Bearing shaft	2	Pc.
13	3245-3014	Latch shaft	2	Pc.
14	3245-3016-015	Backup bar, structural black	2	Pc.
15	1042-0006	Hexagon nut self-locking M6	6	Pc.
16	1024-0650	Hexagon socket countersunk head screw M6x50	4	Pc.
17-23	3245-36SWE	Cross bail, complete	1	Pc.
17	3245-36SW-015	Cross bail	1	Pc.
18	3245-5711	Reducing bush	2	Pc.
19	1145-0001-015	Tube connector T-90° 25/25 with bore 4,2, stuctural black	2	Pc.
20	1145-0002-015	Tube connector T-90° 25/25 4,2 structural black	2	Pc.
21	1062-0412	Blind rivet F4x12	2	Pc.
22	1021-0820	Hexagon socket head cap screw M8x20	2	Pc.
23	1049-0067	BILOC-nut M8	2	Pc.

Pos. 22

Tighten screw with max. 15 nm.

Spare parts



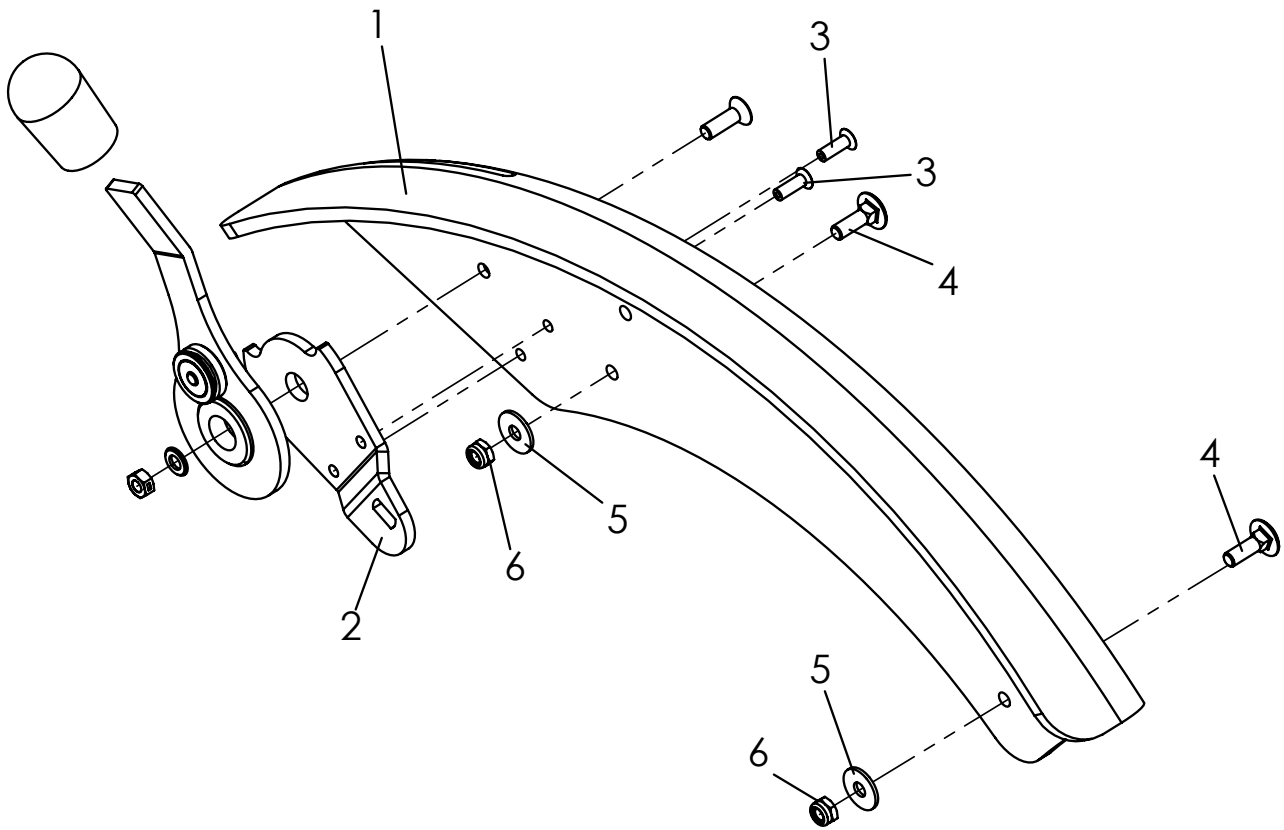
Spare parts

Pos	Article number	Articel description	Quantity	Unit
1-29	3245-30SWE	Push bar, foldable, complete	1	Set
1-5	3240-5550E	Push bar upper part size 1, from sw. 24 to 34	1	Pc.
	3240-5560E	Push bar upper part size 2, for sw. 36	1	Pc.
1	3240-5552-015	Push bar upper part size 1	1	Pc.
	3240-5562-015	Push bar upper part size 2	1	Pc.
2	1143-0002	Handle grip rubber black d22 x 125	2	Pc.
3	1129-0009	Ratchet joint 25x22	1	Pair
4	3240-5554	Coupling binder	2	Pc.
5	1062-0508	Blind rivet F5x8	8	Pc.
6	3240-5553-007	Clamping ring	2	Pc.
7	1021-0625	Hexagon socket head cap screw M6x25	2	Pc.
8	3245-3113-007	Push bar bottom part, anodised, black	2	Pc.
9-15	3245-36SWE	Cross bail, complete	1	Pc.
9	3245-36SW-015	Cross bail, complete	1	Pc.
10	3245-5711	Reducing bush	2	Pc.
11	1145-0001-015	Tube connector T-90° 25/25 with bore 4,2, structural black	1	Pc.
12	1062-0412	Blind rivet F4x12	2	Pc.
13	1021-0820	Hexagon socket head cap screw M8x20	2	Pc.
14	1145-0002-015	Tube connector T-90° 25/25 4,2 structural black	1	Pc.
15	1049-0067	BILOC-nut M8	2	Pc.
16-29	3245-3010E	Push bar holder, complete	2	Pc.
16	1021-0620	Hexagon socket head cap screw M6x20	2	Pc.
17	3245-3019	Flanged bush	4	Pc.
18	3245-3015	Bearing shaft	2	Pc.
19	1042-0006	Hexagon nut self-locking M6	6	Pc.
20	3245-3016-015	Backup bar	2	Pc.
21	3245-3014	Latch shaft	2	Pc.
22	1024-0650	Hexagon socket countersunk head screw M6x50	4	Pc.
23	3245-3011-007	Push-bar adapter	2	Pc.
24	1071-0624	Parallel pin M6x24	2	Pc.
25	1131-0064	Compression spring D-142A 0,9x15x39,2x3,5	2	Pc.
26	3245-5112	Locking claw	2	Pc.
	3245-5113	Locking claw Alloy (for tie down kit)		
27	1042-0005	Hexagon nut self-locking M5	2	Pc.
28	3245-3013	Activator	2	Pc.
29	1024-0540	Hexagon socket countersunk head screw M5x40	2	Pc.

Pos. 13

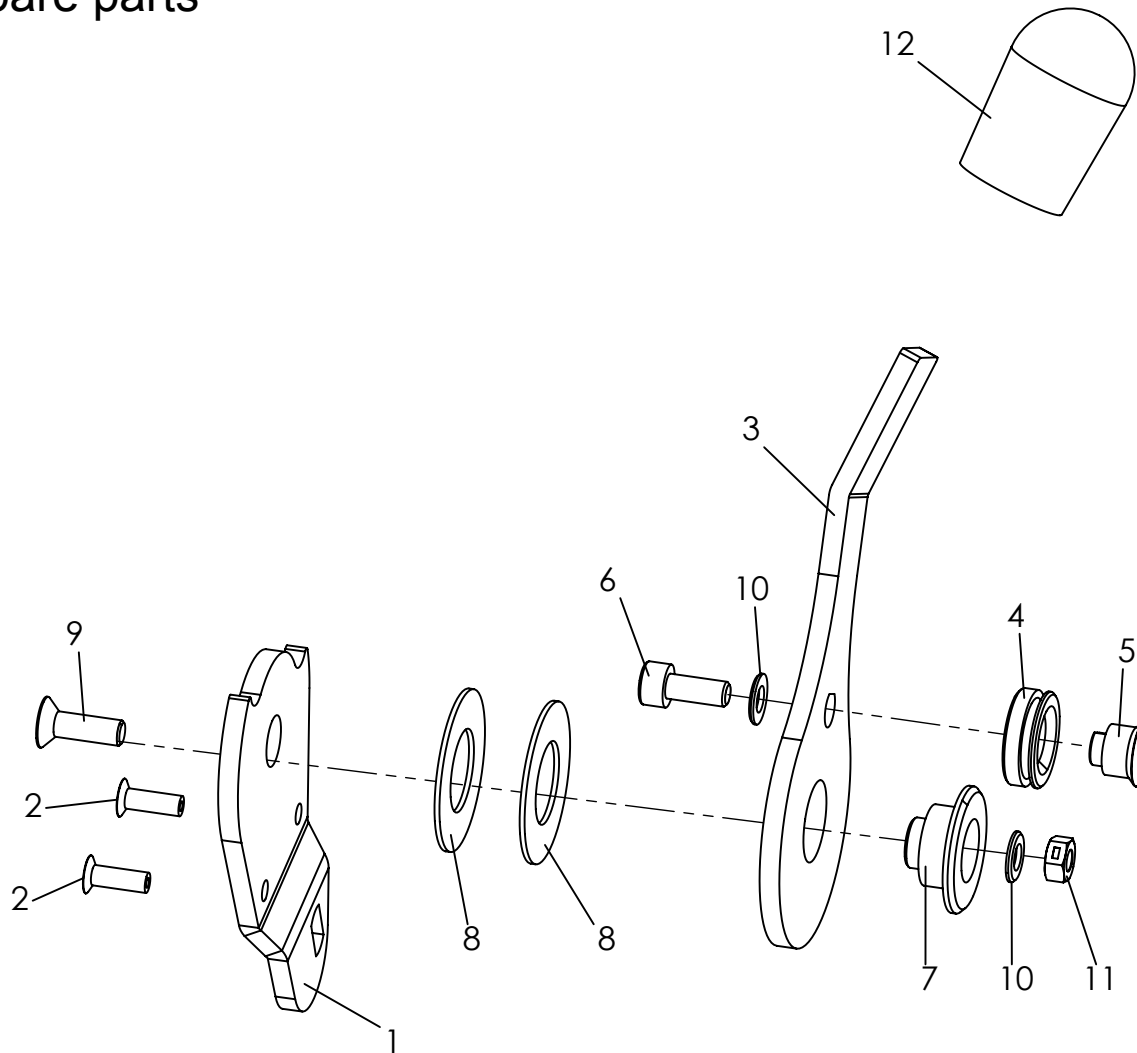
Tighten screw with max. 15 nm.

Spare parts



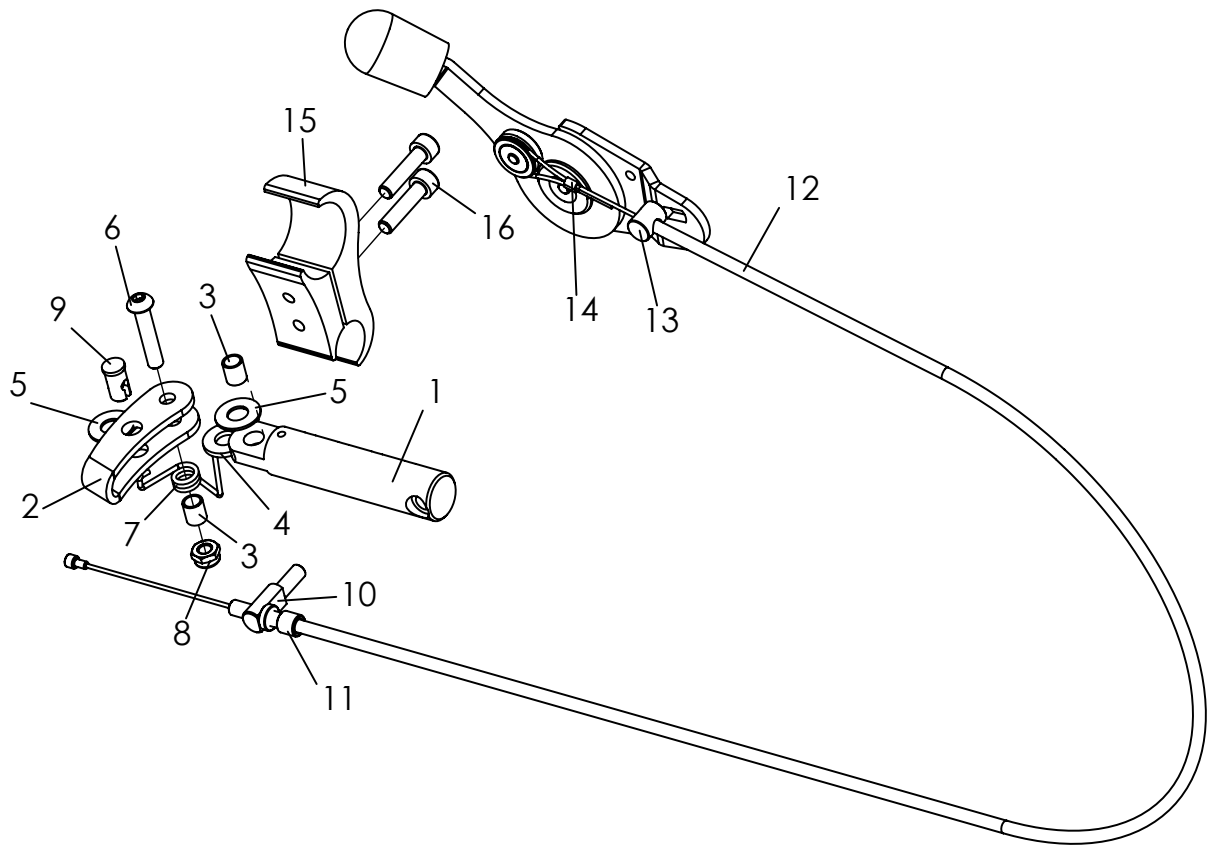
Pos	Article number	Articel description	Quantity	Unit
1	3248-1611E	Fender for integrated break, 20" left	1	Pc
	3248-1621E	Fender for integrated break, 20" right	1	Pc
	3248-1631E	Fender for integrated break, 22" left	1	Pc
	3248-1641E	Fender for integrated break, 22" right	1	Pc
	3248-1651E	Fender for integrated break, 24" left	1	Pc.
	3248-1661E	Fender for integrated break, 24" right	1	Pc.
	3248-1633E	Fender wide, for integrated break, 22" left, for adapter housing 3°	1	Pc.
	3248-1643E	Fender wide, for integrated break, 22" right, for adapter housing 3°	1	Pc.
	3248-1653E	Fender wide, for integrated break, 24" left, for adapter housing 3°	1	Pc.
	3248-1663E	Fender wide, for integrated break, 24" right, for adapter housing 3°	1	Pc.
2	3251-1741	Base plate brake lock lever, left	1	Pc
	3251-1751	Base plate brake lock lever, right	1	Pc
3	1063-0412	Blind rivet S4x12	2	Pc
4	1026-0516	Mushroom head square neck bolt M5x16	2	Pc
5	1055-0005	washer A5,3	2	Pc
6	1042-0005	Hexagon nut self-locking M5	2	Pc

Spare parts



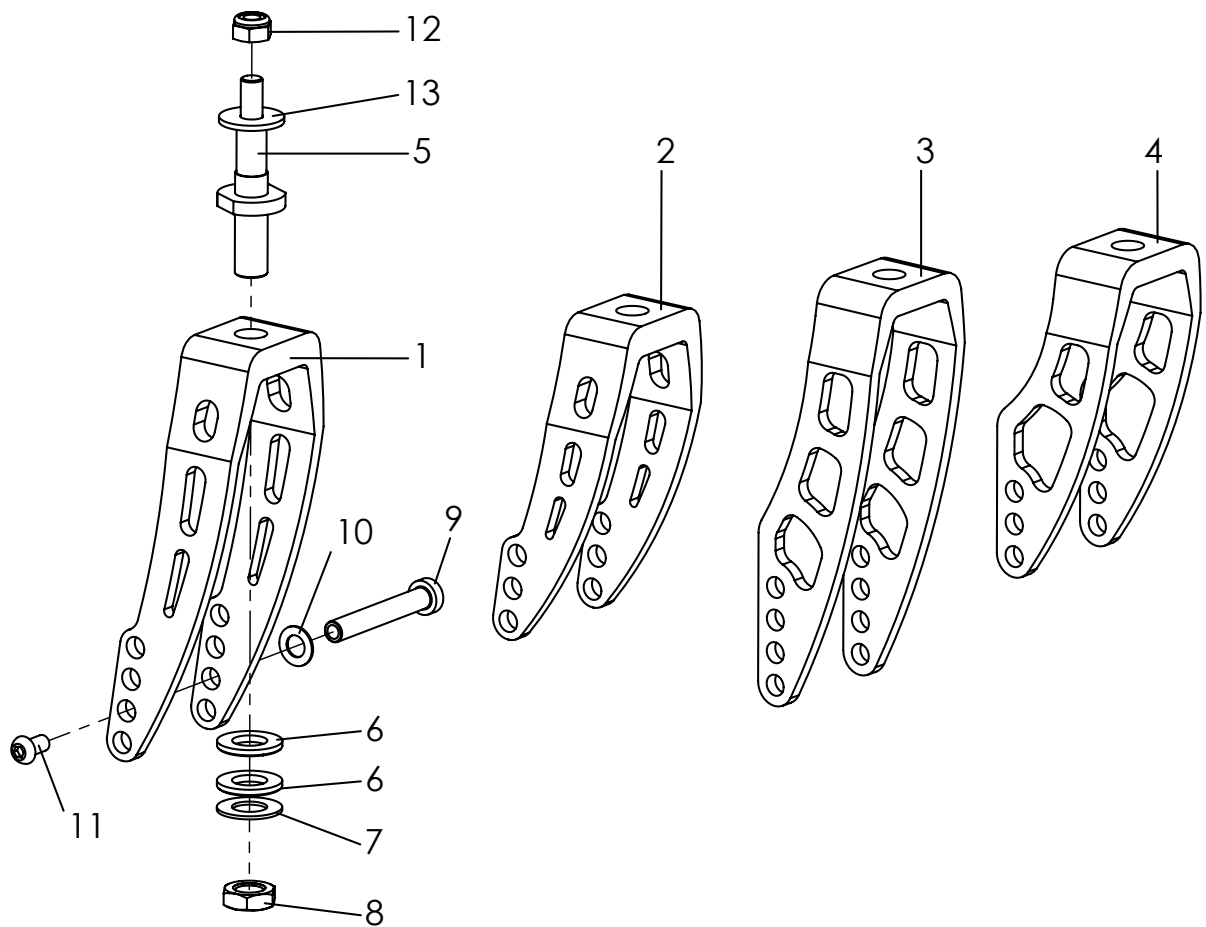
Pos	Article number	Articel description	Quantity	Unit
1-12	3240-1740E	Break lock lever, left, displayed	1	Pc.
	3240-1750E	Break lock lever, right	1	Pc.
1	3251-1741	Base plate brake lock lever, left	1	Pc.
	3251-1751	Base plate brake lock lever, right	1	Pc.
2	1063-0412	Blind rivet S4x12	2	Pc.
3	3240-1742-015	Brake lock lever, FS black	1	Pc.
4	3240-1747	Cable roll	1	Pc.
5	3240-1745	Cable support	1	Pc.
6	1021-0512	Cylinder head screw M5x12	1	Pc.
7	3240-1743	Lever bearing	1	Pc.
8	1113-0048	Washer PA natural 16,5x32x1	2	Pc.
9	1024-0516	Hexagon socket countersunk head screw M5x16	1	Pc.
10	1051-0005	Washer A5,3	2	Pc.
11	1049-0066	BILOC-nut M5	1	Pc.
12	1209-0014	Handle black	1	Pc.

Spare parts



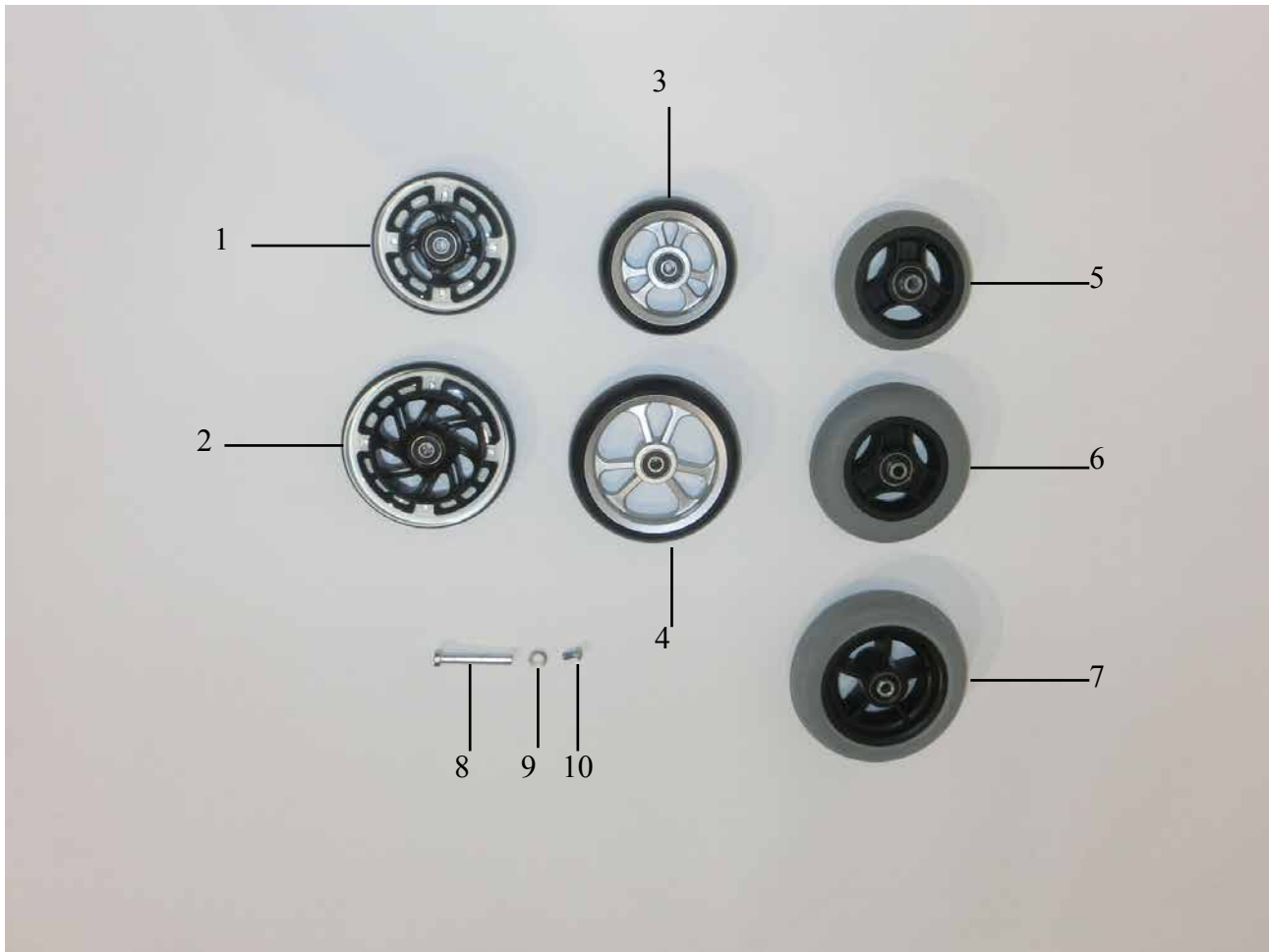
Pos	Article number	Articel description	Quantity	Unit
1-9	3240-1710E	Brake, left, complete	1	Pc.
	3240-1720E	Brake, right, complete	1	Pc.
1	3240-1711-006	Brake lever bracket	1	Pc.
2	3240-1712-006	Brake lock lever	1	Pc.
3	1114-0055	Bushing 8x0,8x8,7	2	Pc.
4	1113-0035	Washer PA 18x8,4x2 black	1	Pc.
5	1113-0003	Washer PA 18x8,4x1 black	2	Pc.
6	1029-0630	Button head socket screw M6x30	1	Pc.
7	3240-1761	Retaining spring, left	1	Pc.
	3240-1762	Retaining spring, right	1	Pc.
8	1042-0006	Hexagon nut self-locking M6	1	Pc.
9	1099-0014	Ball end cable holder 9/8x15,5 mm hole-4mm	1	Pc.
10-14	1209-0025E	Brake cable SWINGBO	2	Pc.
	3240-1713	Cross bolt	1	Pc.
	1099-0003	Adjusting screw with nut M6x20/30	1	Pc.
	1209-0012	Break cable	1	Pc.
	3240-1748	Bearing	1	Pc.
	1089-0005	Cable clamp	1	Pc.
15-16	3251-1733E-007	Clamp with srew's	1	Set
	3251-1733-007	Clamp, 30-19	2	Pc.
	1021-0625	Hexagon socket head cap screw M6x25	2	Pc.

Spare parts



Pos	Article number	Article description	Quantity	Unit
1	1281-0011-007	Wheel fork aluminum CLASSIC 200, long	1	Pc.
2	1281-0010-007	Wheel fork aluminum CLASSIC 150, short	1	Pc.
3	1281-0017-007	Wheel fork aluminum 200, long	1	Pc.
4	1281-0016-007	Wheel fork aluminum 150, short	1	Pc.
5	1205-0007	Wheel fork axle	1	Pc.
6	1051-0012	Washer A13	2	Pc.
7	1052-0012	Spring washer B12	1	Pc.
8	1043-0012	Hexagon nut M12	1	Pc.
9	1205-0009	Wheel axle L54	1	Pc.
10	1052-0008	Spring washer B8	1	Pc.
11	1029-6001	Button head socket screw, Tufflock M6x12	1	Pc.
12	1042-0008	Hexagon nut self-locking M8	1	Pc.
13	1113-0071	Friction washer plastic black	1	Pc.

Spare parts



Pos	Article number	Articel description	Quantity	Unit
1	1249-0005	Skater wheels with illuminating diode 100x24 (max. 5 Nm)	2	Pc.
2	1249-0006	Skater wheel with illuminating diode 125x24 (max. 5 Nm)	2	Pc.
3	1221-0024	PU-front castor with design plastic rim 100x34	2	Pc.
4	1221-0025	PU-front castor with design plastic rim 125x34	2	Pc.
5	1250-0002	Front castor with solid rubber tires 100x32	2	Pc.
6	1250-0003	Front castor with solid rubber tires 125x32	2	Pc.
7	1250-1440	Front castor with solid rubber tires 140x40	2	Pc.
8	1205-0009	Wheel axle L54	2	Pc.
9	1052-0008	Spring washer B8 zp DIN/ISO 137 B8	2	Pc.
10	1029-6001	Button head socket screw, Tufflock M6x12	2	Pc.
	1205-0047	Spacer for Skater wheels and design plastic rim	2	Pc.

Spare parts



Pos	Article number	Articel description	Quantity	Unit
1	1211-0007	Pneumatic wheel 20"x1 HOGGI light with out push rims	2	Pc.
	1211-0008	Pneumatic wheel 22"x1 Hoggi light w/o push rims	2	Pc.
	1211-0009	pneumatic wheel 24"x1 Hoggi light w/oithout push rims	2	Pc.
	1221-0009	Rear wheels with PU-tires 20"x1 3/8 HOGGI light w/o push rims	2	Pc.
	1221-0010	Rear wheels with PU-tires 22"x1 HOGGI light w/o push rims	2	Pc.
	1221-0011	Rear wheels with PU-tires 24"x1 HOGGI light w/o push rims	2	Pc.
2	1205-0010	Adapter with nut M16x1 for quick-release-axle 12/45 mm	2	Pc.
3	1205-0014	Quick release axle 12 x 98 mm	2	Pc.
Spare parts				
	1201-0003	Tube for wheel 20x1	2	Pc.
	1201-0004	Tube for wheel 22x1	2	Pc.
	1201-0005	Tube for wheel 24x1	2	Pc.
	1201-0006	Rim band 20"	2	Pc.
	1201-0007	Rim band 22"	2	Pc.
	1201-0008	Rim band 24"	2	Pc.
	1200-0003	Tire for wheel 20x1" grey (Schwalbe Puncture Protection) RAC, SBO	2	Pc.
	1200-0006	Tire for wheel 22x1" RightRun HS387 Light, SBO	2	Pc.
	1200-0007	Tire for wheel 24x1" RightRun HS387 Light, SBO	2	Pc.
	1203-0005	PU-tire 20x1 3/8" grey	2	Pc.
	1203-0006	PU-tire 22x1" grey	2	Pc.
	1203-0007	PU-tire 24x1" grey	2	Pc.

For hand rym`s, see page 27.

Spare parts



Pos	Article number	Articel description	Quantity	Unit
1	1204-0006	Aluminum hand rim 20", anodised - „standard“	2	Pc.
	1204-0007	Aluminum hand rim 22", anodised - „standard“	2	Pc.
	1204-0008	Aluminum hand rim 24", anodised - „standard“	2	Pc.
2	1204-0019	Aluminum hand rim 20", anodised - "large diameter"	2	Pc.
	1204-0020	Aluminum hand rim 22", anodised - „large diameter“	2	Pc.
	1204-0021	Aluminum hand rim 24", anodised - „large diameter“	2	Pc.
3	1204-0009	stainless steel hand rim 20" - "standard"	2	Pc.
	1204-0010	Stainless steel hand rim 22" - „standard“	2	Pc.
	1204-0011	Stainless steel hand rim 24" - „standard“	2	Pc.
4	1204-0022	Stainless steel hand rim 20" - „high“	2	Pc.
	1204-0023	Stainless steel hand rim 22" - „high“	2	Pc.
	1204-0024	Stainless steel hand rim 24" - „high“	2	Pc.

(Handrims 20 "and 22" with 4 mounting points)

(Handrims 24" with 6 mounting points)

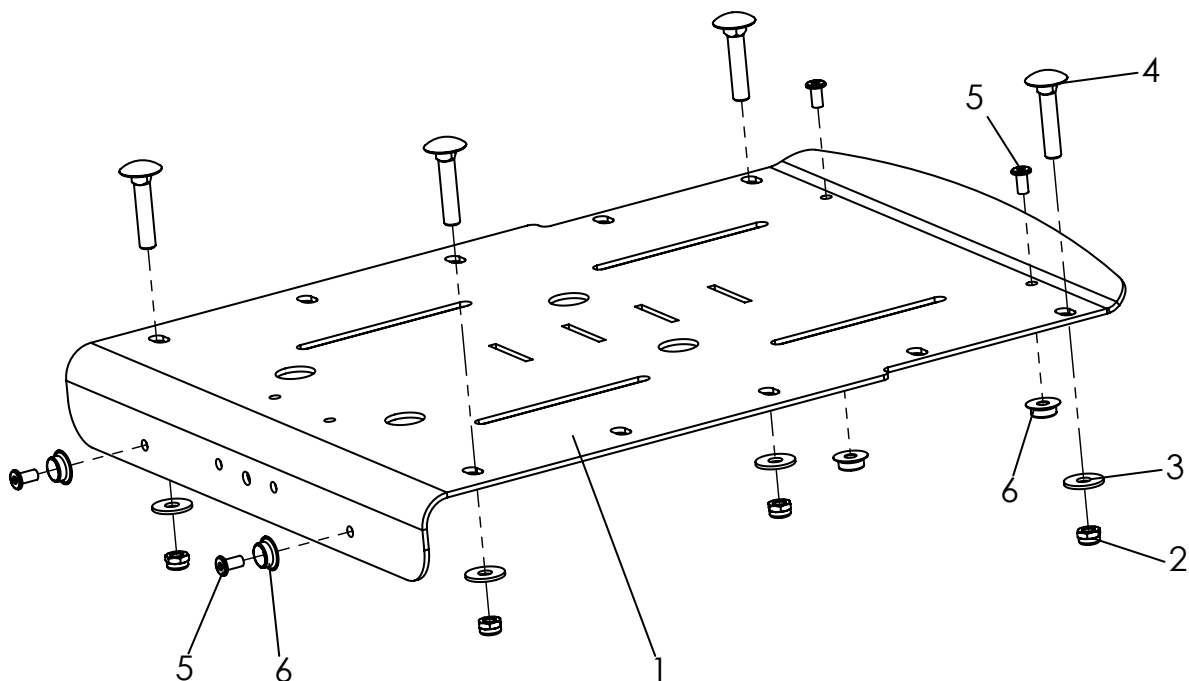
Spare parts



Spare parts

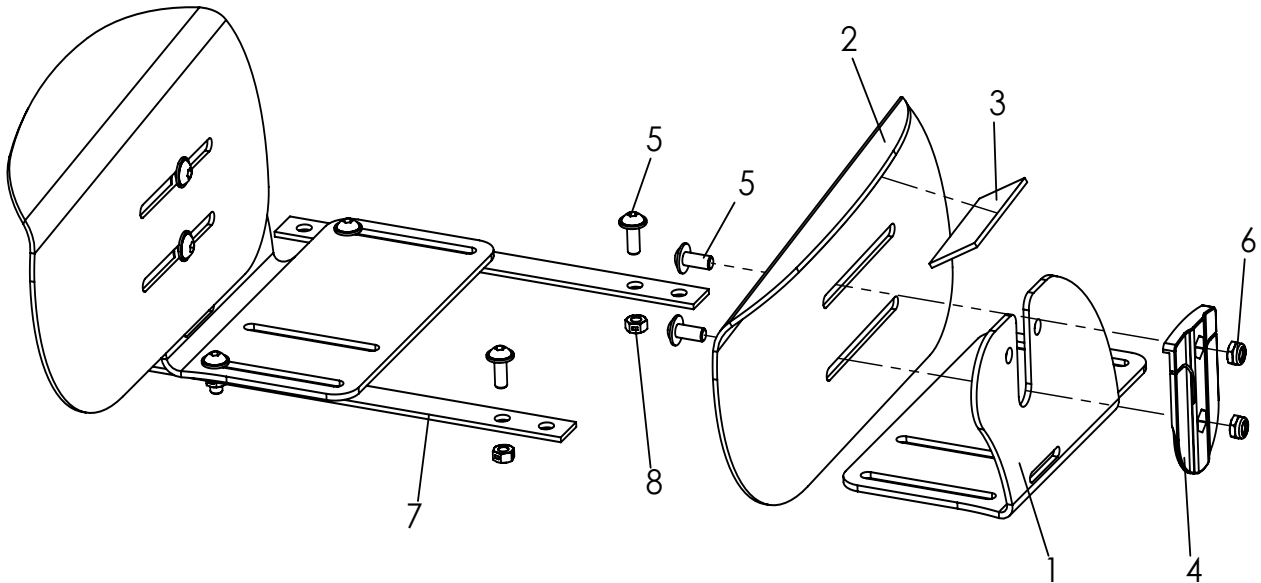
Pos	Article number	Articel description	Quantity	Unit	
1-5	1219-0013	Pneumatic wheel 20"x1 „HOGGI light“ with drumbrake, left, w/o push rims	1	PC.	
	1219-0014	Pneumatic wheel 20"x1 „HOGGI light“ with drumbrake, right w/o push rim	1	PC.	
	1219-0015	Pneumatic wheel 22"x1 „HOGGI light“ with drumbrake, left, w/o push rim	1	PC.	
	1219-0016	Pneumatic wheel 22"x1 „HOGGI light“ with drumbrake, right, w/o push rim	1	PC.	
	1219-0017	Pneumatic wheel 24"x1 „HOGGI light“ with drumbrake, left, w/o push rim	1	PC.	
	1219-0018	Pneumatic wheel 24"x1 „HOGGI light“ with drumbrake, right w/o push rim	1	PC.	
	1221-0003	PU-wheel 20"x1 3/8 „HOGGI light“ with drum brake, left, w/o push rim	1	PC.	
	1221-0004	PU-wheel 20"x1 3/8 „HOGGI light“ with drum brake, right, w/o push rim	1	PC.	
	1221-0005	PU-wheel 22"x1 3/8 „HOGGI light“ with drum brake, left, w/o push rim	1	PC.	
	1221-0006	PU-wheel 22"x1 3/8 „HOGGI light“ with drum brake, right, w/o push rim	1	PC.	
	1221-0007	PU wheels 24" with drum brakes, left, w/o push rims	1	PC.	
	1221-0008	PU wheels 24" with drum brakes, right, w/o push rims	1	PC.	
	2	1205-0022	Quick release axle 12 x 108 mm stainless steel	1	PC.
	3	1205-0051	Adapter M16x1 for quick-release-axle 12/57 mm	2	PC.
	4	1059-0002	Shim ring 16x22x1,5	2	PC.
5	1205-0031	Brake plate left with 16 mm hole for RAC and Hoggi light wheels	2	PC.	
	1205-0032	Brake plate right with 16 mm hole for Hoggi light wheels	1	PC.	
6	1052-0016	Spring washer B16	2	PC.	
7	1205-0015	Spacer bushing 25x16.2x15, for 3 and 6°	2	PC.	
8	1205-0016	Spacer bushing 25x16.2x20, for 9°	2	PC.	
9-11	1209-0001	Bowden wire set 1,5m cable	2	PC.	
12	1205-0029	Pinch bolt d8x15 mm, without slot	2	PC.	
13	1205-0030	Brake adjuster M6x30 mm	2	PC.	
14	1205-0035	Brake anchor support plate SBO-VTi	2	PC.	
15	1029-0635	button head socket screw M6x35, for 9°		PC.	
16	1022-0625	Hexagon socket head cap screw M6x25, for 3 and 6°	2	PC.	
17	1042-0006	Hexagon nut self-locking M6	2	PC.	
18	1209-0026	Brake lever 36° manually locking 25 mm (for push-handle)	2	PC.	
	1209-0030	Brake lever 36 ° manually locking 22 mm (for push bar)	2	PC.	
19	1205-0055	Bowden cable guide, angle 90°	2	PC.	
20	1089-0004	Cable tie, black, 5x180	4	PC.	

Spare parts

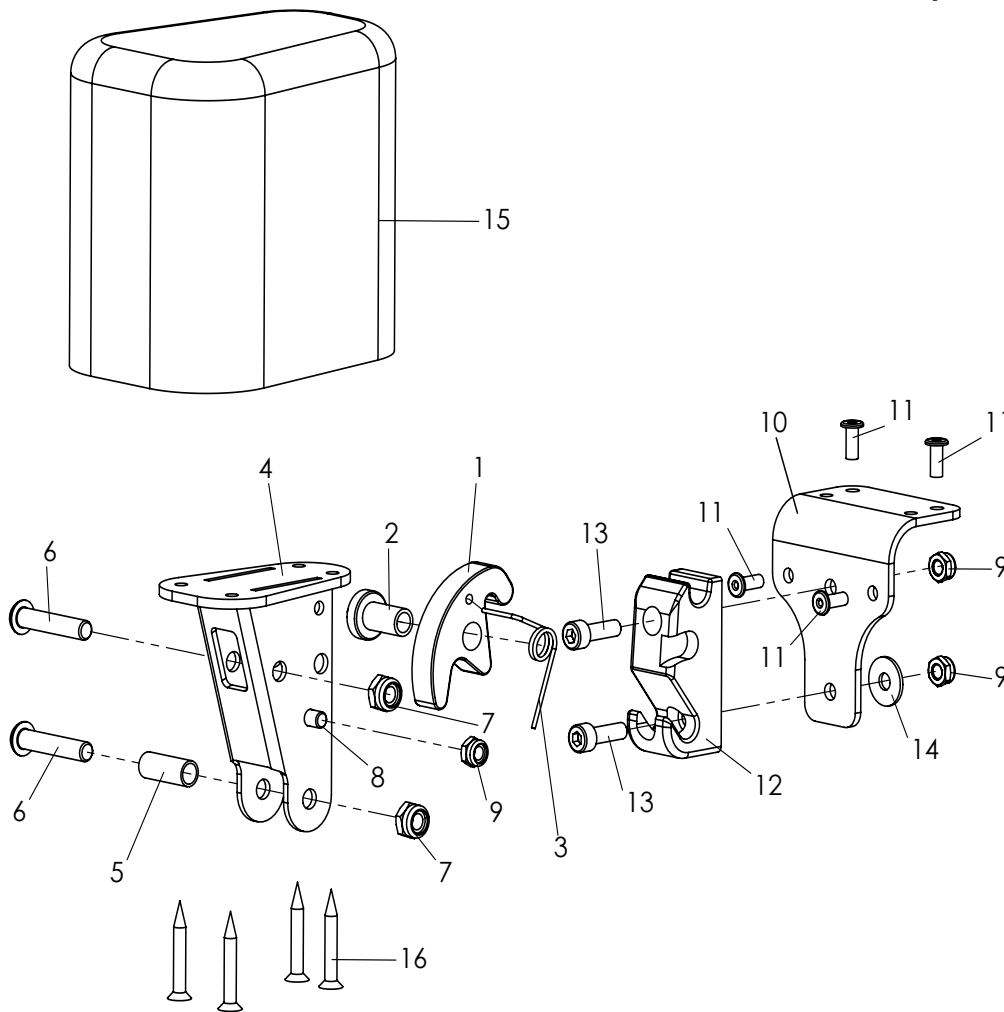


Pos	Article number	Articel description	Quantity	Unit
1-4	3246-24SW-015	Sea surface, complete	1	Pc.
1	3246-25SW-015	Sea surface	1	Pc.
2	1042-0005	Hexagon nut self-locking M5	4	Pc.
3	1055-0005	Washer A5,3	4	Pc.
4	1026-0530	Mushroom head square neck bolt M5x30	4	Pc.
5	1061-0406	Blind rivet F4x6	4	Pc.
6	1533-0005	Ring-ball	4	Pc.

Spare parts

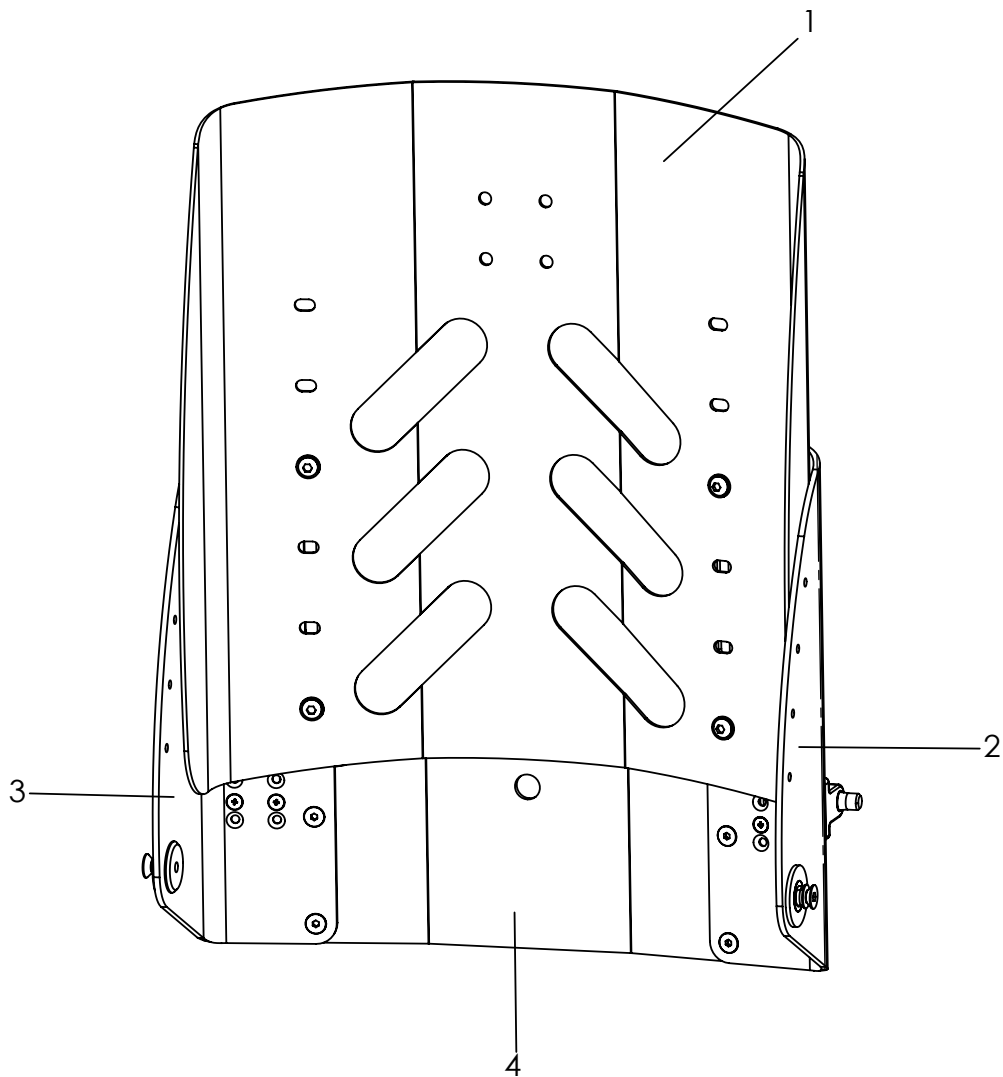


Pos	Article number	Articel description	Quantity	Unit
1-8	3245-6501	Hip support size 1, without upholstries	1	Pc.
	3245-6502	Hip support size 2, without upholstries	1	Pc.
1	3231-2611	Bracket for hip supports size 1, left	1	Pc.
	3231-2612	Bracket for hip supports size 1, right	1	Pc.
	3233-2611	Bracket for hip supports size 2, left	1	Pc.
	3233-2612	Bracket for hip supports size 2, right	1	Pc.
2	3231-2624-032	Hip support aluminum formed part, left size 1	1	Pc.
	3231-2625-032	Hip support aluminum formed part, right size 1	1	Pc.
	3233-2624-032	Hip support aluminum formed part, left size 2	1	Pc.
	3233-2625-032	Hip support aluminum formed part, right size 2	1	Pc.
3	1501-0003	Hook strap black 25mm self adhesive	2	Pc.
4	3231-2622	Locking hinge	2	Pc.
5	1030-0512	Button head socket screw with flange M5x12	8	Pc.
6	1042-0005	Hexagon nut self-locking M5	4	Pc.
7	3245-6510	Threaded strip size. 1	2	Pc.
	3245-6520	Threaded strip size. 2	2	Pc.
8	1049-0066	BILOC-nut M5	4	Pc.
	3201-5150E-309	Hip upholstery size 1 black check/grey	1	Pair
	3203-5150E-309	Hip upholstery size 2 black check/grey	1	Pair



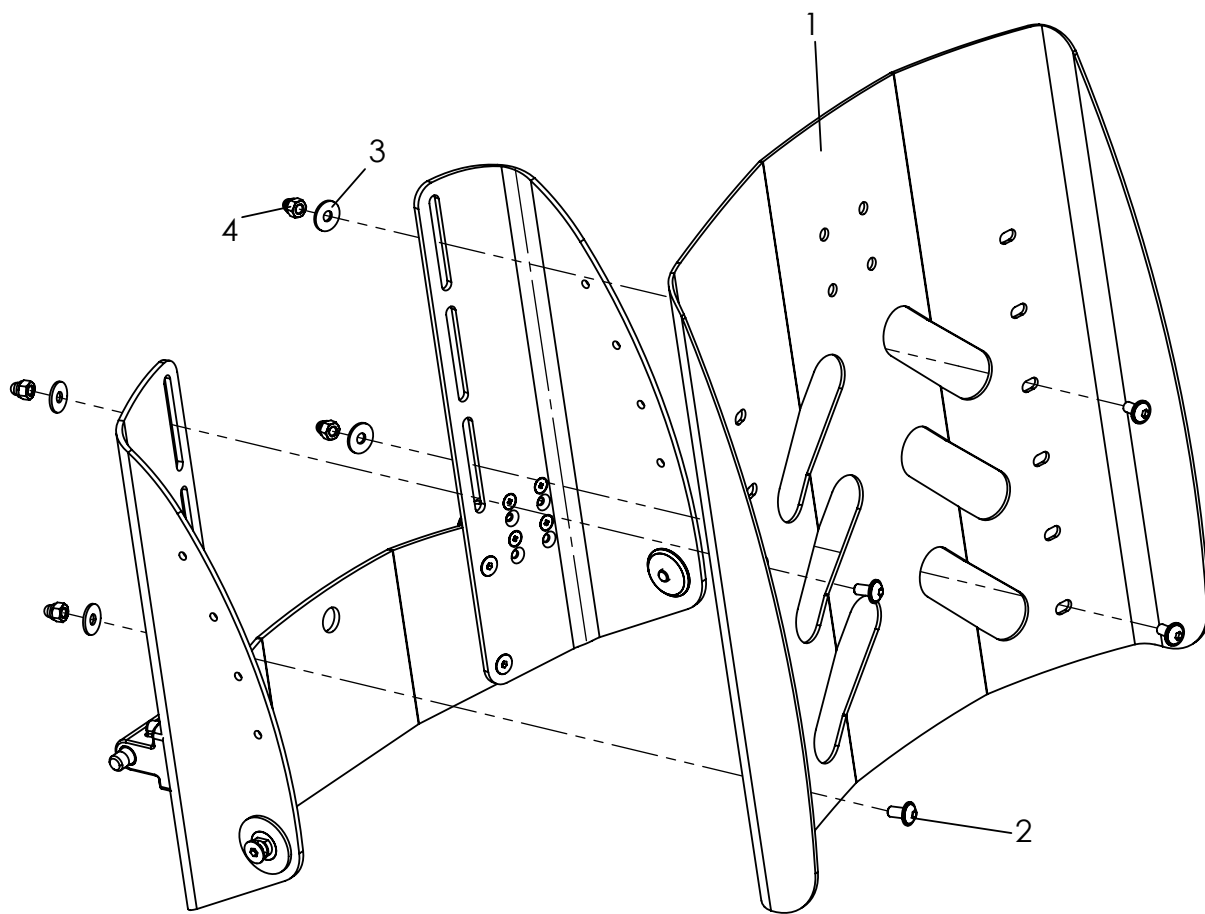
Pos	Article number	Articel description	Quantity	Unit
1-16	3231-7800	Abduction block size 1 swing&detachable, without cover	1	Pc.
	3231-7900	Abduction block size 2 swing&detachable, without cover	1	Pc.
	3233-7800	Abduction block size 3 swing&detachable, without cover	1	Pc.
1	3231-7841	Arresting clamp	1	Pc.
2	3231-7842	Bearing arresting clamp	1	Pc.
3	1133-0020	Leg spring 1,25 x 9,25 x 2,25	1	Pc.
4	3231-7820-032	A-wedge support	1	Pc.
5	1114-0013	Bushing zp 8x0,8x20	1	Pc.
6	1029-0630	Button head socket screw M6x30	2	Pc.
7	1042-0006	Hexagon nut self-locking 985 M6	2	Pc.
8	1021-0508	Cylinder head screw M5x8	1	Pc.
9	1042-0005	Hexagon nut self-locking M5	3	Pc.
10	3231-7831-032	Base plate abduction block receiver	1	Pc.
11	1062-0410	Blind rivet F4x10	4	Pc.
12	3231-7832	Arresting part for A-wedge	1	Pc.
13	1021-0516	Hexagon socket head cap screw M5x16	2	Pc.
14	1055-0005	Washer A5,3	1	Pc.
15	3201-7810E	Wood wedge size 1 with PU-foam	1	Pc.
	3201-7910E	Wood wedge size 1 with PU-foam	1	Pc.
	3203-7810E	Wood wedge size 1 with PU-foam	1	Pc.
16	1028-0430	Pressboard screw countersunk head 4x30	4	Pc.
	3201-7840-323	Cover for abduction block size 1 iron grey	1	Pc.
	3201-7940-323	Cover abduction block size 2 iron grey	1	Pc.
	3203-7840-323	Cover for abduction block size 3 iron grey	1	Pc.

Spare parts



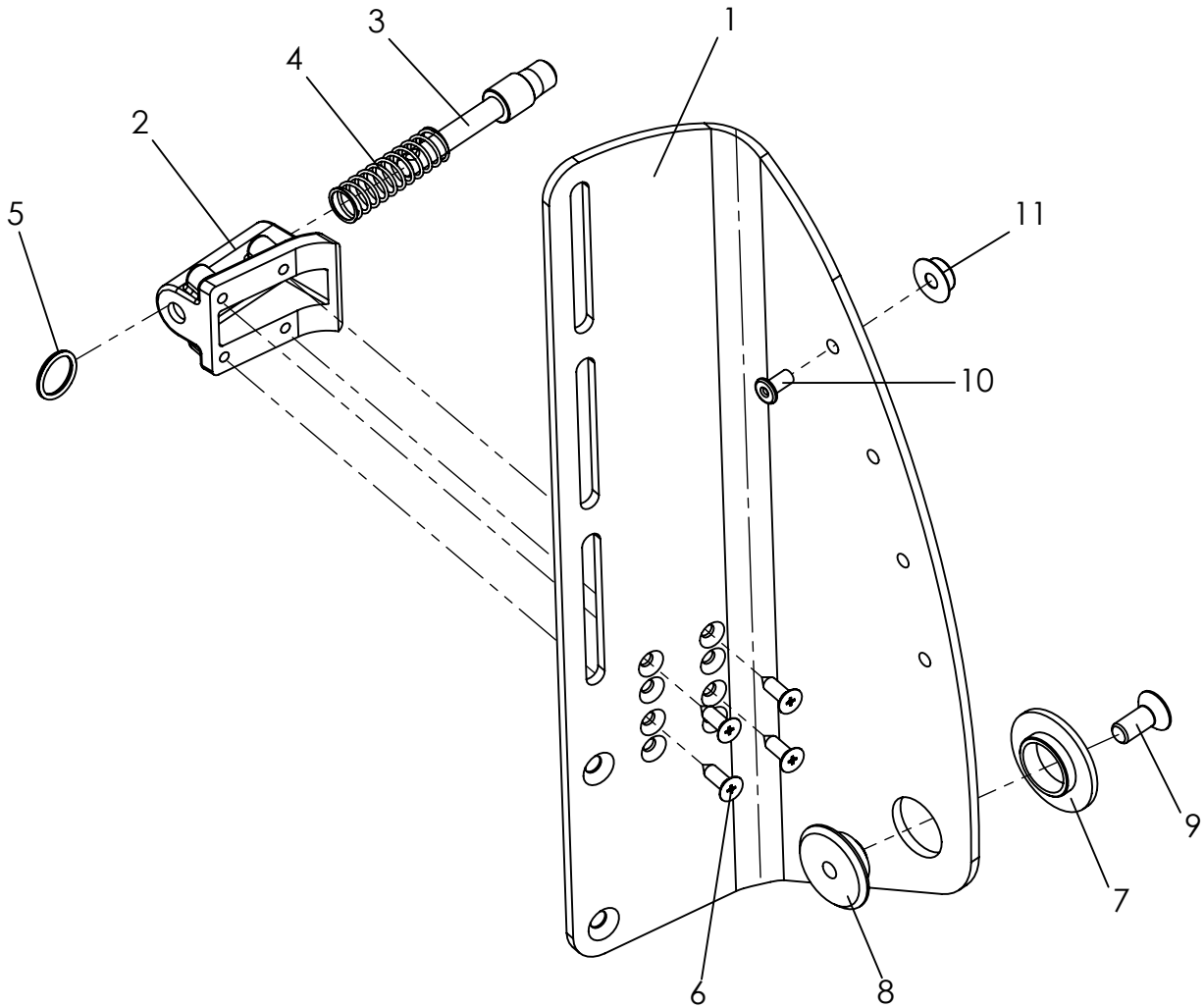
Pos	Article number	Articel description	Quantity	Unit
1-4	3245-29SW-000	Back panel angle- and height adjustable, in frame colour	1	Set
1	3245-28SWE-000	Back panel, in frame colour	1	Pc.
2	3245-2610E-000	Back rest base, left, in frame colour	1	Pc.
3	3245-2621E-000	Back rest base, right, in frame colour	1	Pc.
4	3245-27SWE-000	Cross member, in frame colour	1	Pc.

Spare parts



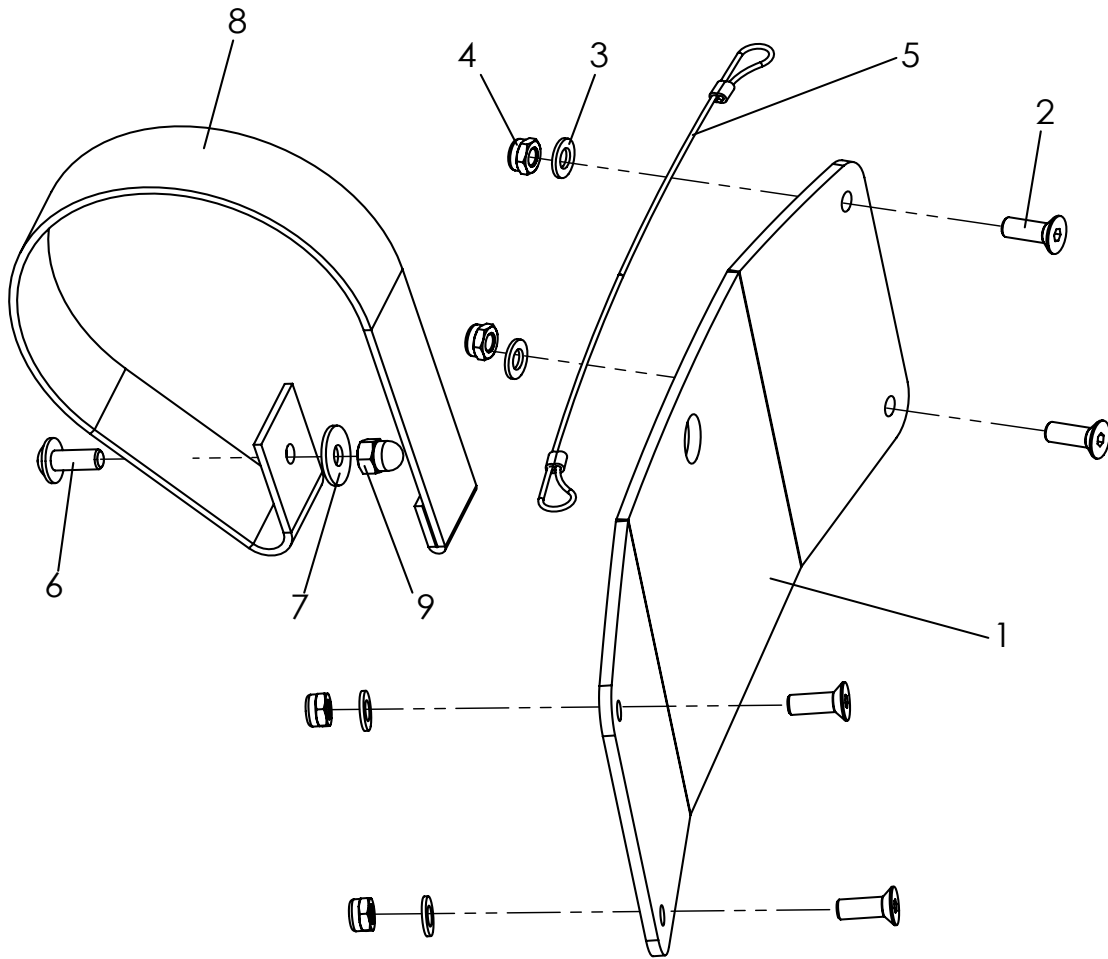
Pos	Article number	Articel description	Quantity	Unit
1-4	3245-28SWE-000	Back panel, complete	1	Set
2	1030-0514	Button head socket screw with flange M5x14	4	Pc.
3	1055-0005	Washer A5,3	4	Pc.
4	1044-0005	Hexagonal domed cap nut self-locking M5	4	Pc.

Spare parts



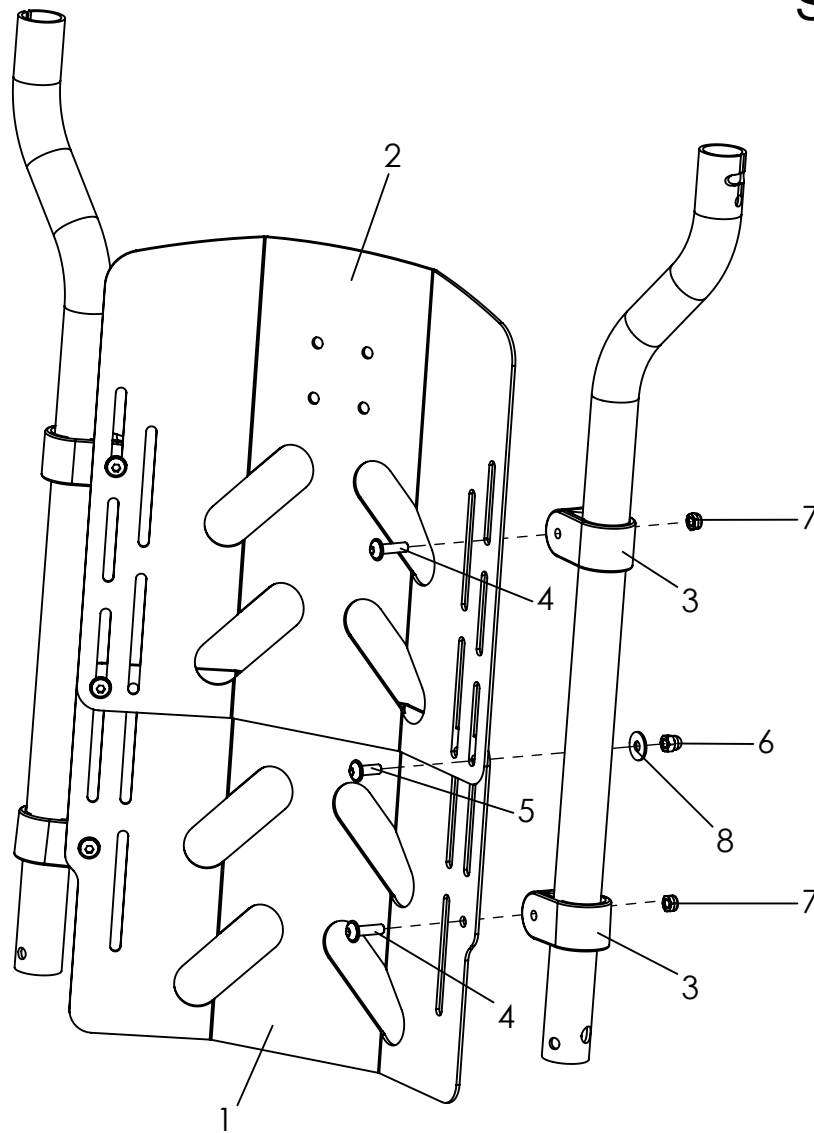
Pos	Article number	Articel description	Quantity	Unit
1-9	3245-2610E-000	Backrest base, left, complete	1	Pc.
	3245-2620E-000	Backrest base, right, complete	1	Pc.
2*	3240-2431	Locking bolt housing	1	Pc.
		* High position 80° up to 120°		Pc.
		* Low position 75° up to 115°		Pc.
3	3240-2422	Locking bolt	1	Pc.
4	1131-0043	Compression spring D-143F	1	Pc.
5	1129-0036	Key ring 16x1,6	1	Pc.
6	1039-0006	Tapping screw with countersunk head	4	Pc.
7	3245-2613	Flange bushing	1	Pc.
8	3245-2614	Bearing shaft	1	Pc.
9	1024-0612	Hexagon socket countersunk head screw M6x12	1	Pc.
		Pos. 10 and 11 only with upholstery		Pc.
10	1062-0406	Blind rivet F4x6	1	Pc.
11	1533-0005	Ring-ball part	1	Pc.

Spare parts



Pos	Article number	Articel description	Quantity	Unit
1-4	3245-27SWE-000	Cross member, complete	1	Pc.
1	3245-27SW-000	Cross member	1	Pc.
2	1024-0514	Hexagon socket countersunk head screw M5x14	4	Pc.
3	1051-0005	Washer A5,3	4	Pc.
4	1042-0005	Hexagon nut self-locking M5	4	Pc.
5	3245-26SWE	wire-rope, for back rest recline	1	Pc.
6	1030-0512	Button head socket screw with flange M5x12	1	Pc.
7	1055-0005	Washer A5,3	1	Pc.
8	1512-0012	PP strap 25x350, with a sewn loop opposite the perforation	1	Pc.
9	1044-0005	Hexagonal domed cap nut self-locking 986 M5	1	Pc.

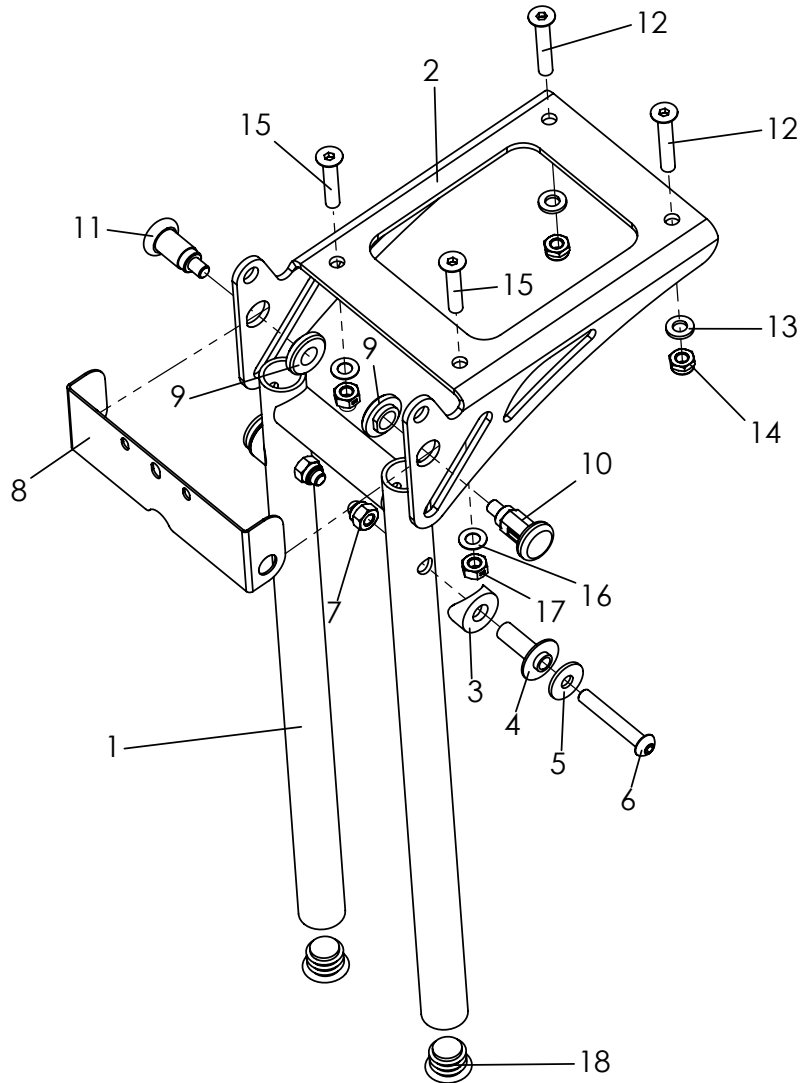
Spare parts



Pos	Article number	Articel description	Quantity	Unit
1-7	3245-32SWE-000	Back panel trough shaped, complete	1	Pc.
1	3245-33SW-000	Base backrest panel	1	Pc.
2	3245-34SW-000	Upper part backrest panel	1	Pc.
3*	3245-3311	Gripper clamp	4	Pc.
4	1030-0518	Button head socket screw with flange M5x18	4	Pc.
5	1030-0514	Button head socket screw with flange M5x14	2	Pc.
6	1044-0005	Hexagonal domed cap nut self-locking M5	2	Pc.
7	1042-0005	Hexagon nut self-locking M5	4	Pc.

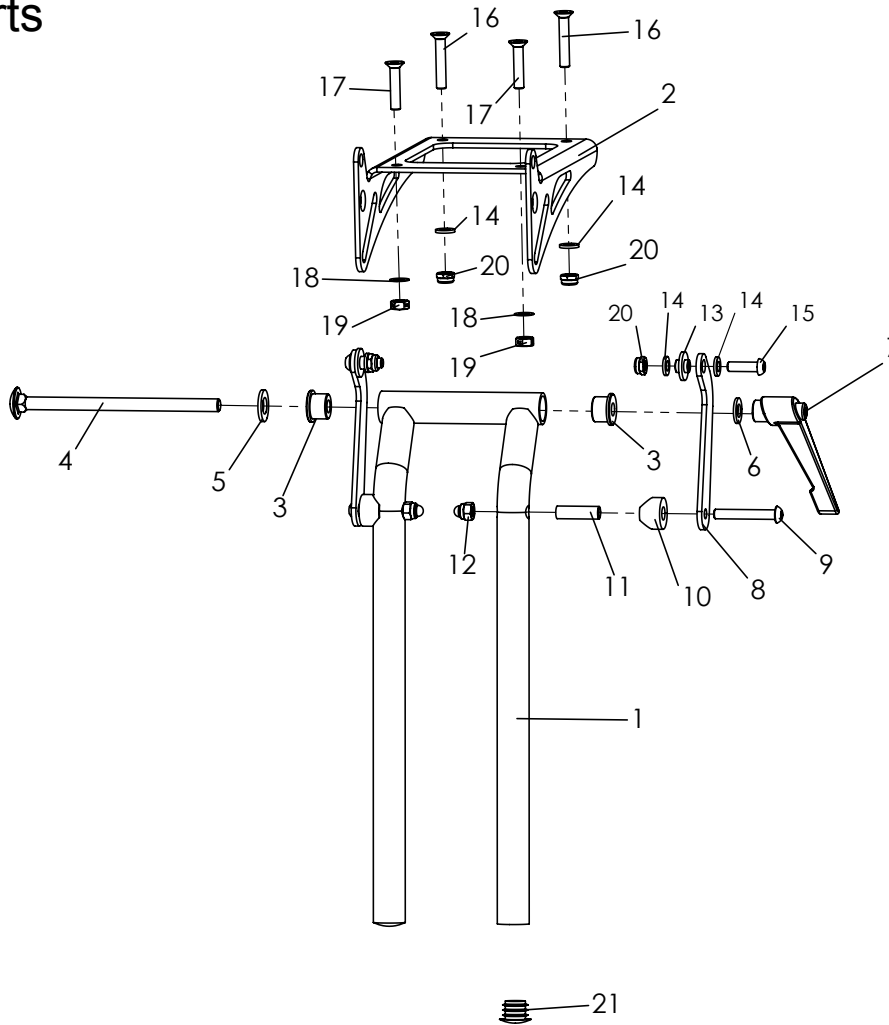
**From SW 36, the back panel must be fastened with 6 gripper clamps!*

Spare parts



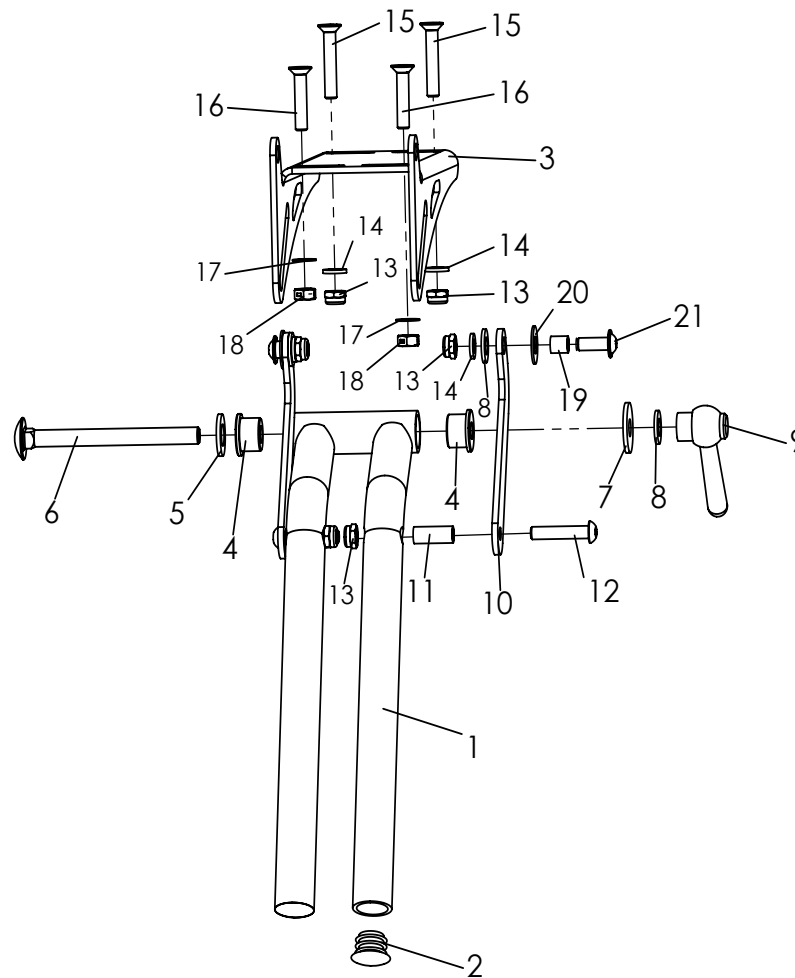
Pos	Article number	Articel description	Quantity	Unit
1-18	3246-4005E-015	Foot rest hanger 90°, lower leg length short 16-27 cm	1	Pc.
	3246-4006E-015	Foot rest hanger 90°, lower leg length long 16-37 cm	1	Pc.
1	3231-2520-015	Bracket for footrest hanger, short	1	Pc.
	3233-2520-015	Bracket for footrest hanger, long	1	Pc.
2	3231-2411-007	Console for footrest black anodized	1	Pc.
3	1111-0016	Saddle washer PA black 20x8.4x3	2	Pc.
4	3231-2532	Pivot bearing	2	Pc.
5	1055-0006	Washer A6,4	2	Pc.
6	1029-0640	Button head socket screw M6x40	2	Pc.
7	1044-0006	Hexagonal domed cap nut self-locking M6	2	Pc.
8	3231-2545	Fold stop	1	Pc.
9	3231-2544	Nut for lock pin	2	Pc.
10	1127-0011	Lock pin with lock	1	Pc.
11	1127-0010	Lock pin	1	Pc.
12	1024-0635	Hexagon socket countersunk head screw M6x35	2	Pc.
13	1051-0006	Washer A6,4	2	Pc.
14	1042-0006	Hexagon nut self-locking M6	2	Pc.
15	1024-0630	Hexagon socket countersunk head screw M6x30	2	Pc.
16	1052-0006	Spring washer B6	2	Pc.
17	1049-0068	BILOC-nut M6	2	Pc.
18	1141-0006	Ribbed insert SFL 20x0,8-2,5	2	Pc.

Spare parts



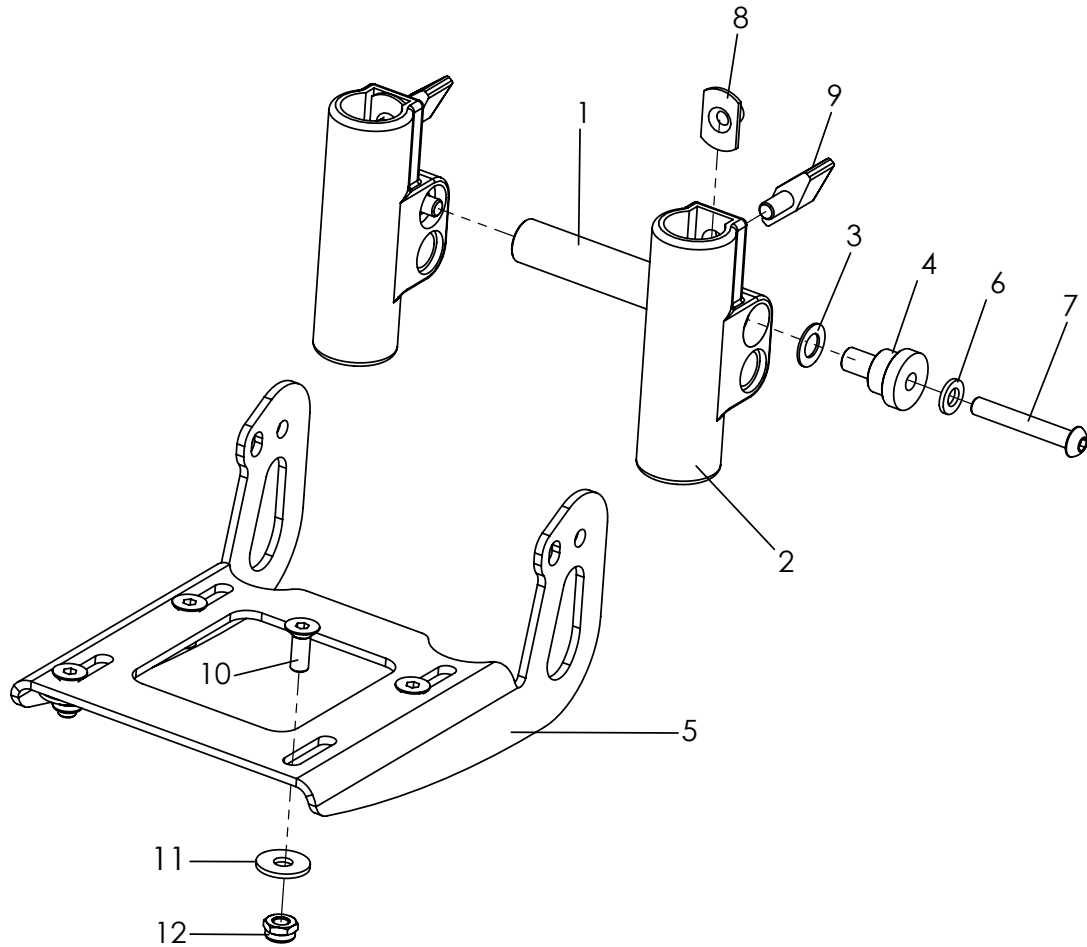
Pos	Article number	Articel description	Quantity	Unit
1-19	3246-4007E-015	Foot rest hanger angle adjustable 85-160°, lower leg short 19-27 cm	1	Pc.
	3246-4008E-015	Foot rest hanger angle adjustable 85-160°, lower leg length 19-37 cm	1	Pc.
1	3240-2860-015	Footrest adapter, angle adjustable, LLL 16-26 cm	1	Pc.
	3240-2870-015	Footrest adapter, angle adjustable, LLL 16-36 cm	1	Pc.
2	3231-2411-007	Console for footrest black anodized	1	Pc.
3	3240-2864	Clamp bushing	2	Pc.
4	1026-0813	Mushroom head square neck bolt M8x130	1	Pc.
5	1051-0010	Washer A10,5	1	Pc.
6	1051-0008	Washer A8,4	1	Pc.
7	1121-0800	Locking lever PA black M8	1	Pc.
8	3231-2432-032	Pivot lever strut, black dull matt	2	Pc.
9	1029-0640	Button head socket screw M6x40	2	Pc.
10	1111-0018	Saddle washer PA black 20x8.4x7	2	Pc.
11	1114-0025	Bushing zp 8x0,8x27	2	Pc.
12	1044-0006	Hexagonal domed cap nut self-locking zp DIN/ISO 986 M6	2	Pc.
13	3210-1238	Shoulder bushing	2	Pc.
14	1051-0006	Washer A6,4	6	Pc.
15	1029-0620	Button head socket screw M6x20	2	Pc.
16	1024-0635	Hexagon socket countersunk head screw M6x35	2	Pc.
17	1024-0630	Hexagon socket countersunk head screw M6x30	2	Pc.
18	1052-0006	Spring washer B6	2	Pc.
19	1049-0068	BILOC-nut M6	2	Pc.
20	1042-0006	Hexagon nut self-locking M6	4	Pc.
21	1141-0006	Ribbed insert SFL 20x0,8-2,5	2	Pc.

Spare parts



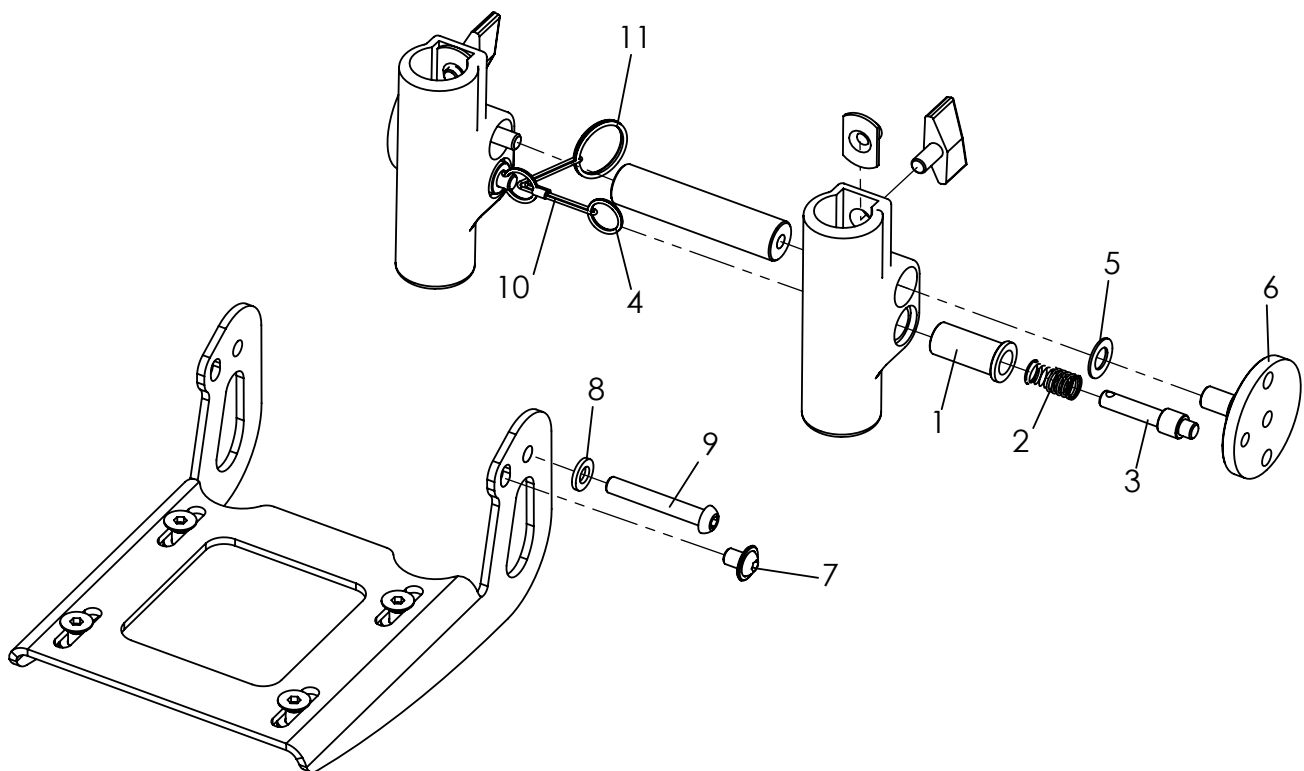
Pos	Article number	Articel description	Quantity	Unit
1-18	3246-4003E-015	Singel foot rest hanger angle adjustable 85-160°, lower leg short 19-27 cm	1	Pc.
	3246-4004E-015	Singel foot rest hanger angle adjustable 85-160°, lower leg long 19-37 cm	1	Pc.
1	3232-2510-015	Bracket for footrest hanger angle adjustable, size 1	1	Pc.
	3234-2511-015	Bracket for footrest hanger angle adjustable, size 2	1	Pc.
2	1141-0006	Ribbed insert SFL 20x0,8-2,5	4	Pc.
3	3232-2411-007	Console for footrest anodized	1	Pc.
4	3240-2864	Clamp bushing	2	Pc.
5	1051-0010	Washer A10,5	1	Pc.
6	1026-0890	Mushroom head square neck bolt M8x90	1	Pc.
7	1055-0008	Washer zp A8,4	1	Pc.
8	1051-0008	Washer A8,4	1	Pc.
9	1129-0013	Adjustable coniform lever M8	1	Pc.
10	3231-2432-015	Operating lever	2	Pc.
11	1114-0013	Bushing zp 8x0,8x20	2	Pc.
12	1029-0630	Button head socket screw M6x30	2	Pc.
13	1042-0006	Hexagon nut self-locking M6	6	Pc.
14	1051-0006	Washer A6,4	6	Pc.
15	1024-0635	Hexagon socket countersunk head screw M6x35	2	Pc.
16	1024-0630	Hexagon socket countersunk head screw M6x30	2	Pc.
17	1052-0006	Spring washer B6	2	Pc.
18	1049-0068	Biloc-nut M6	2	Pc.
19	1114-0055	Bushing 8x0,8x8,7	2	Pc.
20	1113-0003	Washer PA 18x8,4x1 black	2	Pc.
21	1030-0616	Button head socket screw with flange M6x16	2	Pc.

Spare parts



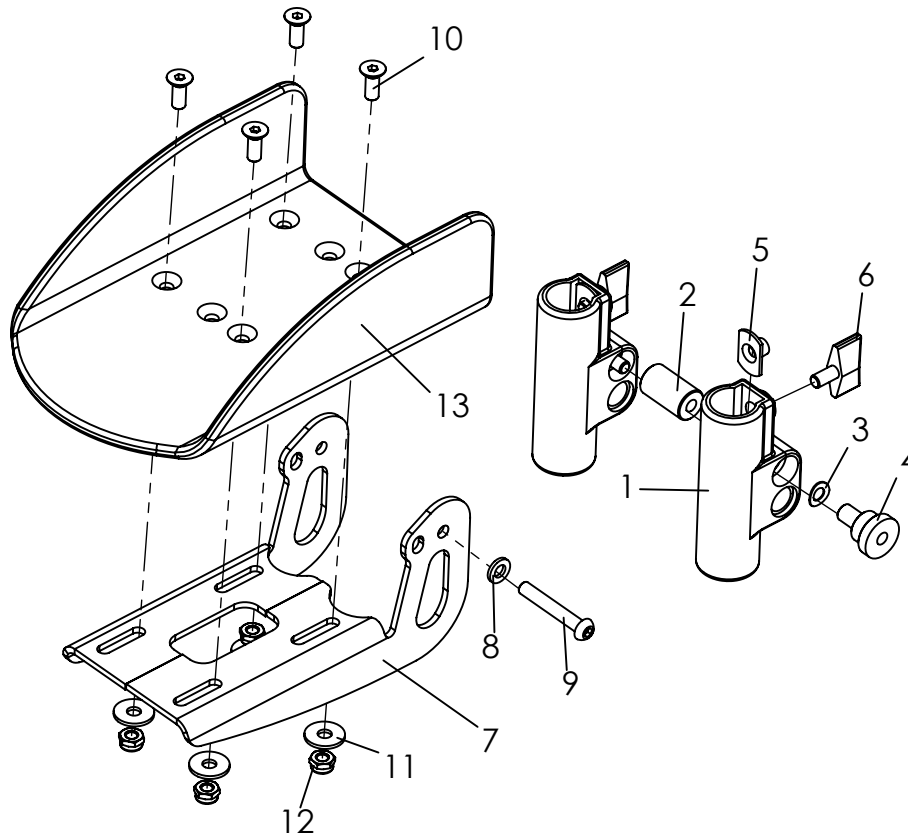
Pos	Article number	Articel description	Quantity	Unit
1-11	3240-2901E-032	Foot board assembly angle adjustable and foldable	1	Pc.
1	3240-2913	Stabilizer	1	Pc.
2	3201-2520	Footboard holder	2	Pc.
3	1052-0008	Spring washer B8	2	Pc.
4	3201-2530	Bushing	2	Pc.
5	3240-2911-032	Foot rest bracket black	1	Pc.
6	1051-0006	Washer A6,4	2	Pc.
7	1029-0640	Button head socket screw M6x40	2	Pc.
8	1049-0052	T-nut L-769 22x14xM6x8,5	2	Pc.
9	1123-0612	Wing screw Pa black M6x12 M6x BPF 20	2	Pc.
10	1024-0616-033	Hexagon socket countersunk head screw black M6x16	4	Pc.
11	1055-0006	Washer A 6,4	4	Pc.
12	1042-0006	Hexagon nut self-locking M6	4	Pc.

Spare parts



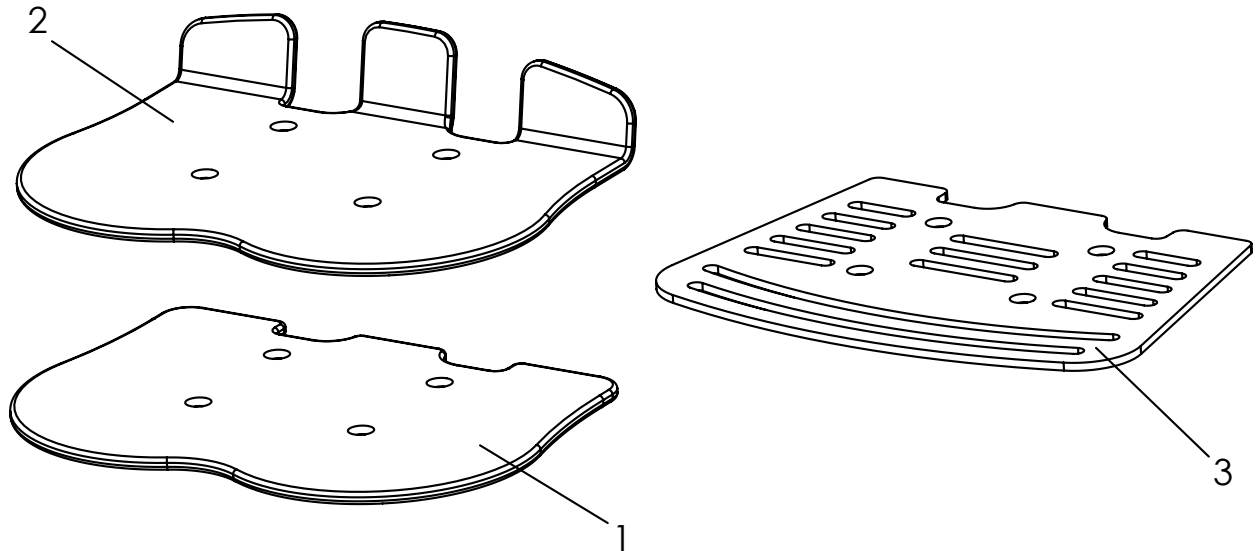
Pos	Article number	Articel description	Quantity	Unit
1-11	3240-2950E-032	Footrest flip up lock	1	Pc.
1	3201-7520	Spring housing	2	Pc.
2	1131-0036	Compression spring D-127d 0,8x8,3x29	2	Pc.
3	3201-7530	Lock pin	2	Pc.
4	1129-0036	Key ring 16x1,6	2	Pc.
5	1052-0008	Spring washer B8	2	Pc.
6	3201-7510	Lock plate	2	Pc.
7	1030-0608	button head socket screw with flang M6x8	2	Pc.
8	1051-0006	Washer A6,4	2	Pc.
9	1029-0640	button head socket screw M6x40	2	Pc.
10	3201-7560	Wire rope for foot rest lock, EVO	0,2	m
11	1129-0003	Key ring 24x1,5	1	Pc.

Spare parts



Pos	Article number	Articel description	Quantity	Unit
1-11	3232-2440-015	Footboard holder for single footrests, complete	1	Pc.
1	3201-2520	Footboard holder	2	Pc.
2	3232-2442	Stabilizer	1	Pc.
3	1052-0008	Spring washer B8	2	Pc.
4	3201-2530	Bushing	2	Pc.
5	1049-0052	T-nut L-769 zp 22x14xM6x8,5	2	Pc.
6	1123-0612	Wing screw Pa black M6x12 M6x BPF 20	2	Pc.
7	3232-2441	Foot rest bracket	1	Pc.
8	1051-0006	Washer A6,4	2	Pc.
9	1029-0640	button head socket screw M6x40	2	Pc.
10	1024-0616-033	Hexagon socket countersunk head screw black M6x16	4	Pc.
11	1055-0006	Washer A6,4	4	Pc.
12	1042-0006	Hexagon nut self-locking M6	4	Pc.
13	3232-2551	Single foot plate in trough shape size 1, 120x200	1	Pc.

Spare parts



Pos	Article number	Articel description	Quantity	Unit
1	3248-44SW*	Foot rest	1	Pc.
2	3248-45SW*	Foot rest with heelstop	1	Pc.
3	3248-46SW*	Foot rest aluminum, in frame colour	1	Pc.

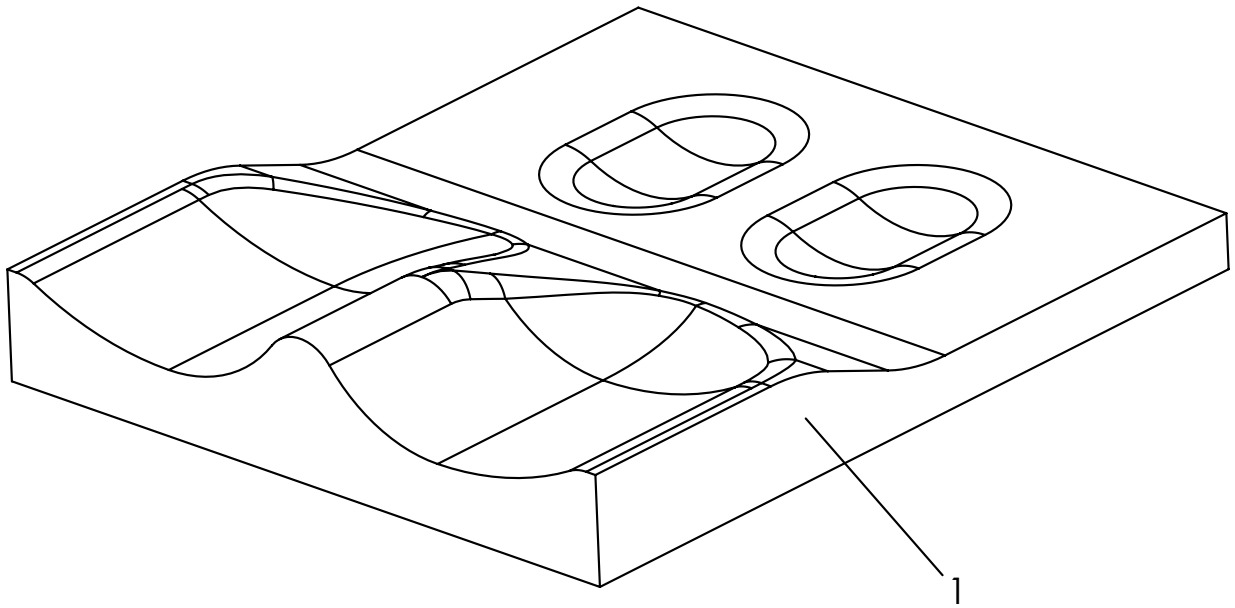
* Footboard width equals, SW minus (-) one!

Spare parts



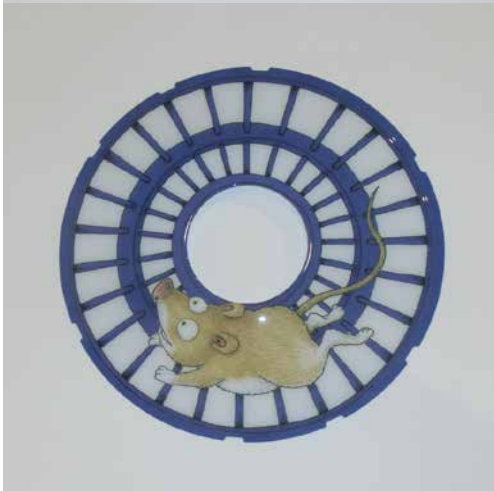
Pos	Article number	Articel description	Quantity	Unit
1	3246-71SW-306	Seat cushion 3 cm thick	1	Pc.
2	3245-72SW-306	Back cushion, trough-shaped, 2,5 cm thick	1	Pc.
3-4	3245-73SW-306	Back cushion with side parts , 2,5 cm thick	1	Pc.
4	3245-76SW-306	Side parts for back cushion	1	Pair
5	3246-77SW-316	Seat cushion 3 cm thick, with cut out for hip support	1	Pc.

Spare parts



Pos	Article number	Articel description	Quantity	Unit
1	3246-80SW-322	Contoured seat cushion with cover, black SW 24-32	1	Pc.
	3246-80SB-323	Contoured seat cushion with cover, black SW 34-36	1	Pc.

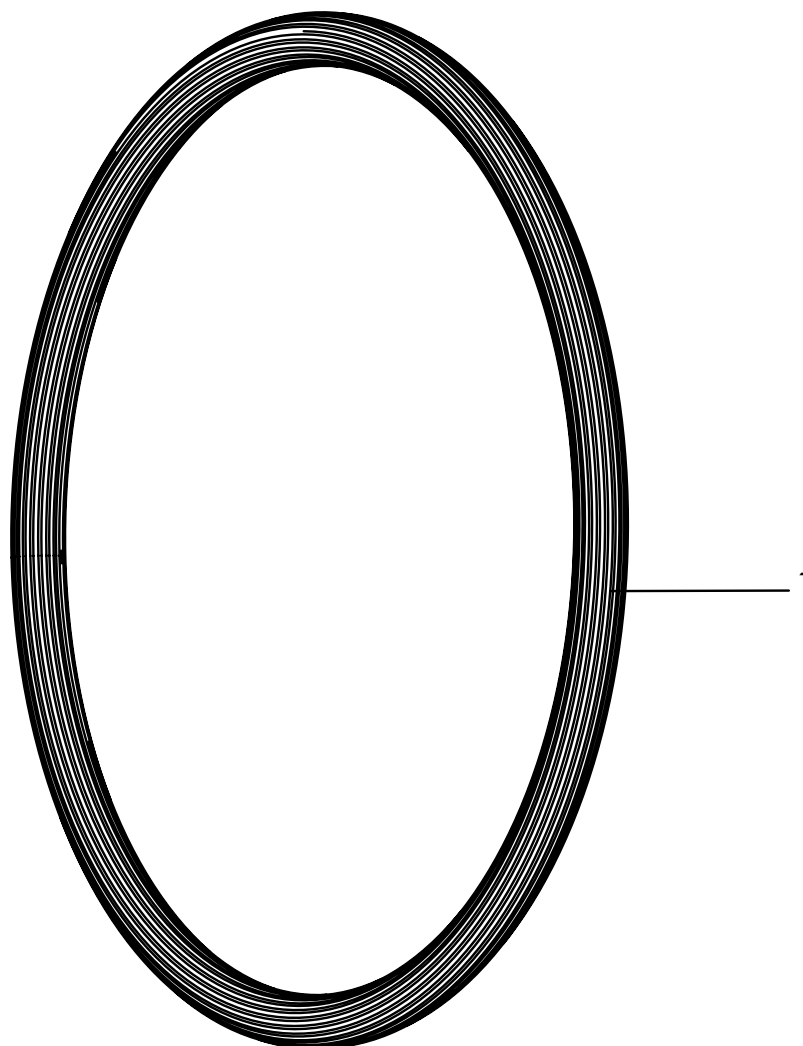
Spare parts



Spare parts

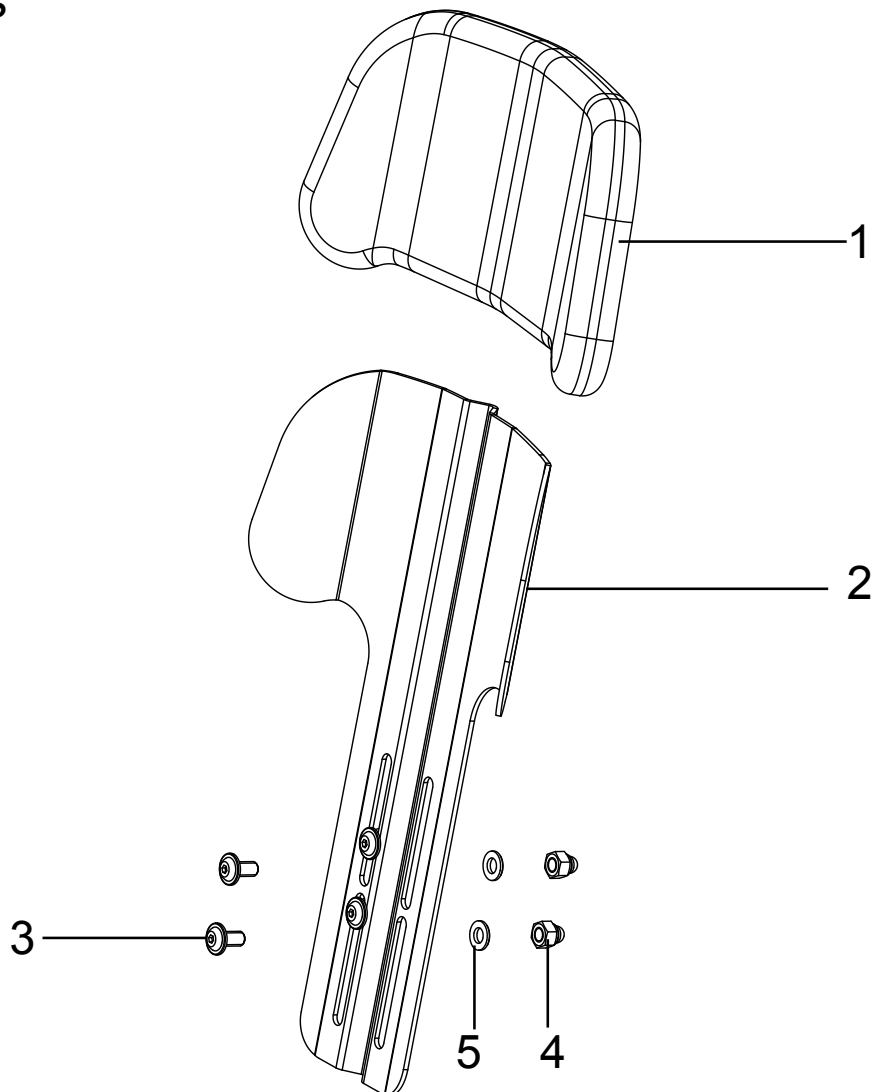
Pos	Article number	Articel description	Quantity	Unit
1-3	1204-1013	Spoke guard 22", transparent	1	Set
	1204-1014	Spoke guard 24", transparent	1	Set
	1204-1018	Spoke guard 22" for drum brake wheels, transparent	1	Set
	1204-1019	Spoke guard 24" for drum brake wheels, transparent	1	Set
	1204-1013-xxx	spoke guard 22" with motif	1	Set
	1204-1014-xxx	spoke guard 24" with motif	1	Set
	1204-1018-xxx	spoke guard 22" with motif drum break wheels	1	Set
	1204-1019-xxx	spoke guard 24" with motif drum break wheels	1	Set
2	1204-1031	Spoke guard 22", transparent	2	Pc.
	1204-1032	Spoke guard 24", transparent	2	Pc.
	1204-1033	Spoke guard 22" for drum brake wheels, transparent	2	Pc.
	1204-1034	Spoke guard 24" for drum brake wheels, transparent	2	Pc.
	1204-1031-xxx	spoke guard 22" with motif	2	Pc.
	1204-1032-xxx	spoke guard 24" with motif	2	Pc.
	1204-1033-xxx	spoke guard 22" with motif drum break wheels	2	Pc.
	1204-1034-xxx	spoke guard 24" with motif drum break wheels	2	Pc.
3	1205-0033	Fastening clips for Spoke guard transparent ABS	12	Pc.
		<i>Replace xxx with No. below!</i>		
		201 - Hoggi blue		
		202 - Elv's world		
		203 - Mouse		
		Water world		
		205 - Train		
		206 - Dragon		
		207 - Circus		

Spare parts



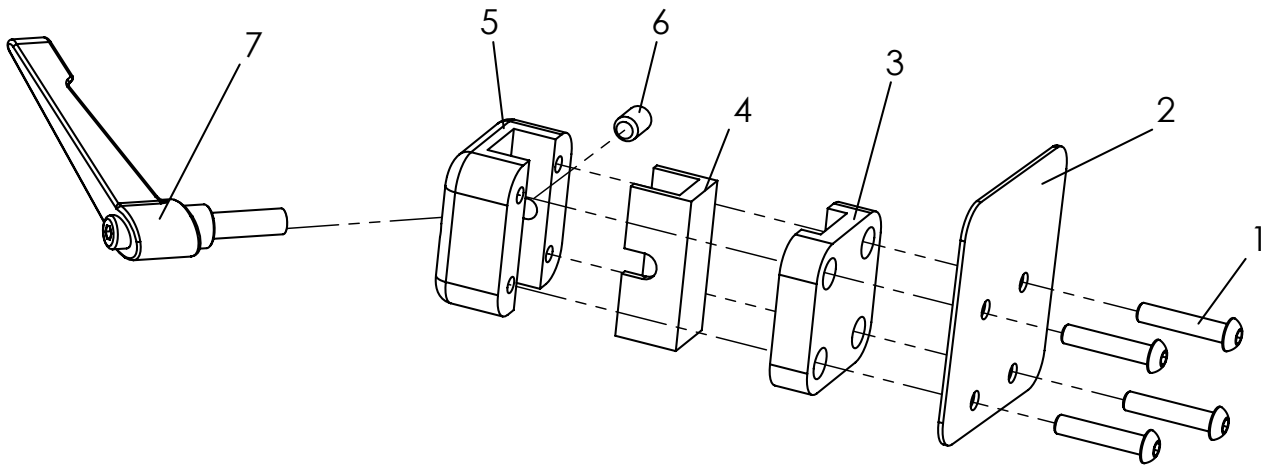
Pos	Article number	Articel description	Quantity	Unit
1	1204-0015	Push-rim cover in silicone, 20", black fluted	1	Pc.
2	1204-0016	Push-rim cover in silicone, 22", black fluted	1	Pc.
3	1204-0017	Push-rim cover in silicone, 24", black fluted	1	Pc.

Spare parts



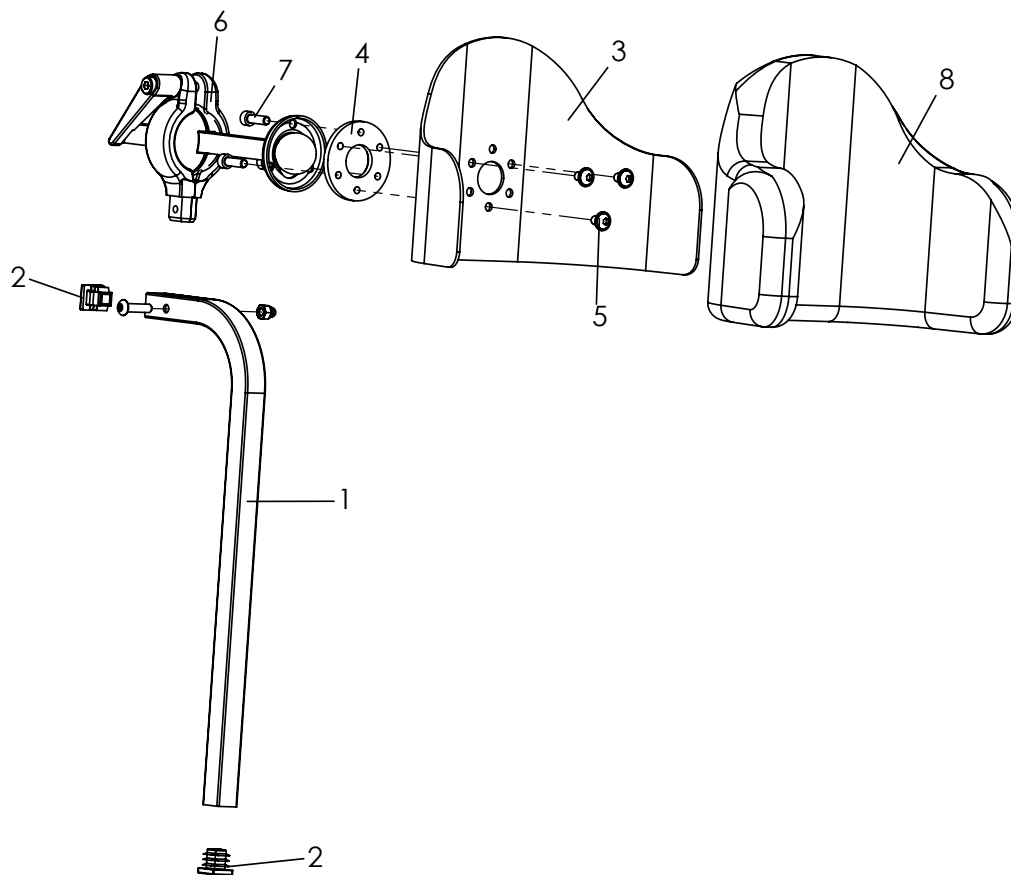
Pos	Article number	Articel description	Quantity	Unit
1-5	3243-7602-306	Head support standard with upholstery, seat width 22-26cm	1	Pc.
	3243-7603-306	Head support standard with upholstery, seat width from 28cm	1	Pc.
1	3243-7630-306	Head cushion size 2	1	Pc.
	3243-7640-306	Head cushion size 3	1	Pc.
2-5	3243-7612-xxx	Head rest panel size 2, SW 22-26, in frame colour	1	Pc.
	3243-7613-xxx	Head rest panel size 3, from SW 28, in frame colour	1	Pc.
3	1030-0614	Button head socket screw with flange M6x14	4	Pc.
4	1044-0006	Hexagonal domed cap nut self-locking M6	4	Pc.
5	1051-0006	Washer A6,4	4	Pc.

Spare parts



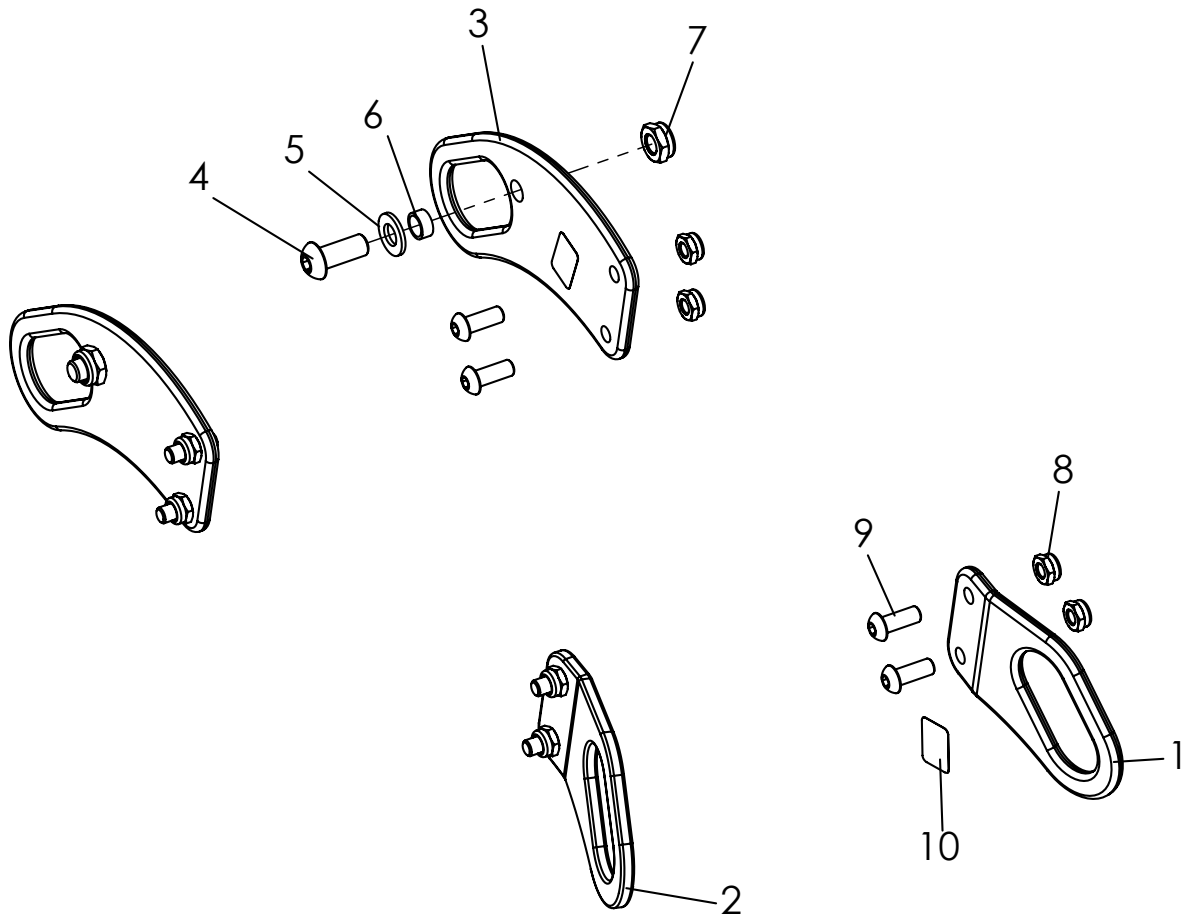
Pos	Article number	Articel description	Quantity	Unit
1-7	3201-3830	Universal headrest bracket	1	Pc.
1	1029-0630	Button head socket screw M6x30	4	Pc.
2	3201-3834-015	Reinforcing plate back, FS black	1	Pc.
3	3201-3831	Clamp bottom part	1	Pc.
4	3201-3833	Reducing piece	1	Pc.
5	3201-3832	Clamp upper part	1	Pc.
6	1031-0812	Hexagon socket set screw M8x12	1	Pc.
7	1121-0825	Locking lever PA black M8x25	1	Pc.

Spare parts



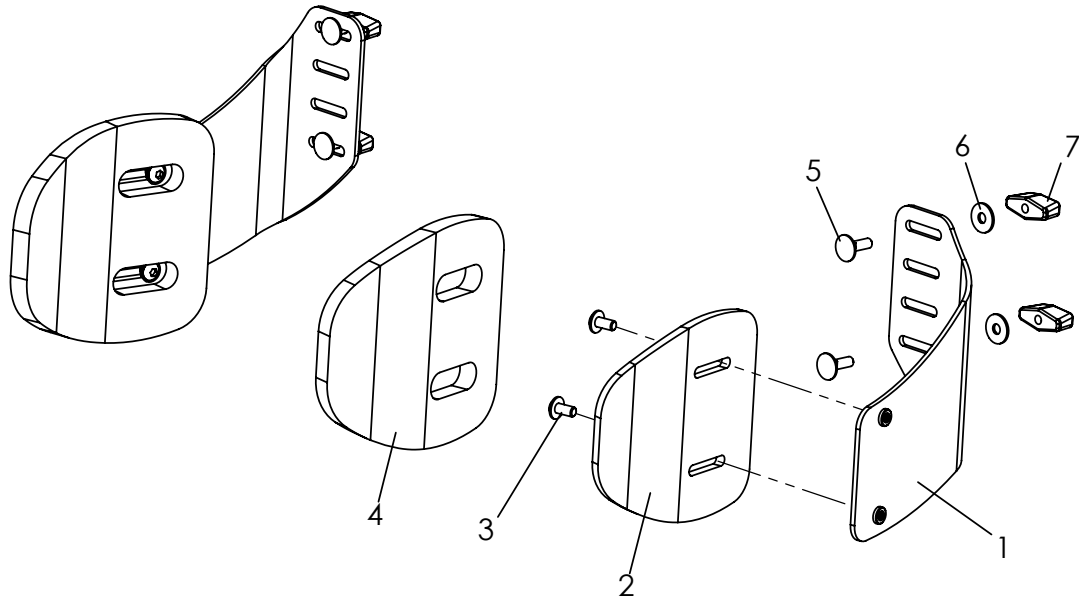
Pos	Article number	Articel description	Quantity	Unit
1-7	3245-7800-306	Head rest with mounting bracket, no cushion	1	Pc.
1	3245-7821-016	Pillar 90°	1	Pc.
2	1141-0030	Ribbed insert VL 15x15x0,8-2 black	2	Pc.
3	3245-7832	Pelotte	1	Pc.
4	3245-7831-008	Clamping ring	1	Pc.
5	1030-0508	Button head socket screw with flange M5x8	3	Pc.
6-7	3245-7810	Ball-head clamping complete	1	Pc.
7	1021-0516	Hexagon socket head cap screw M5x16	3	Pc.
8	3245-7850-306	Head rest cushion, black	1	Pc.

Spare parts



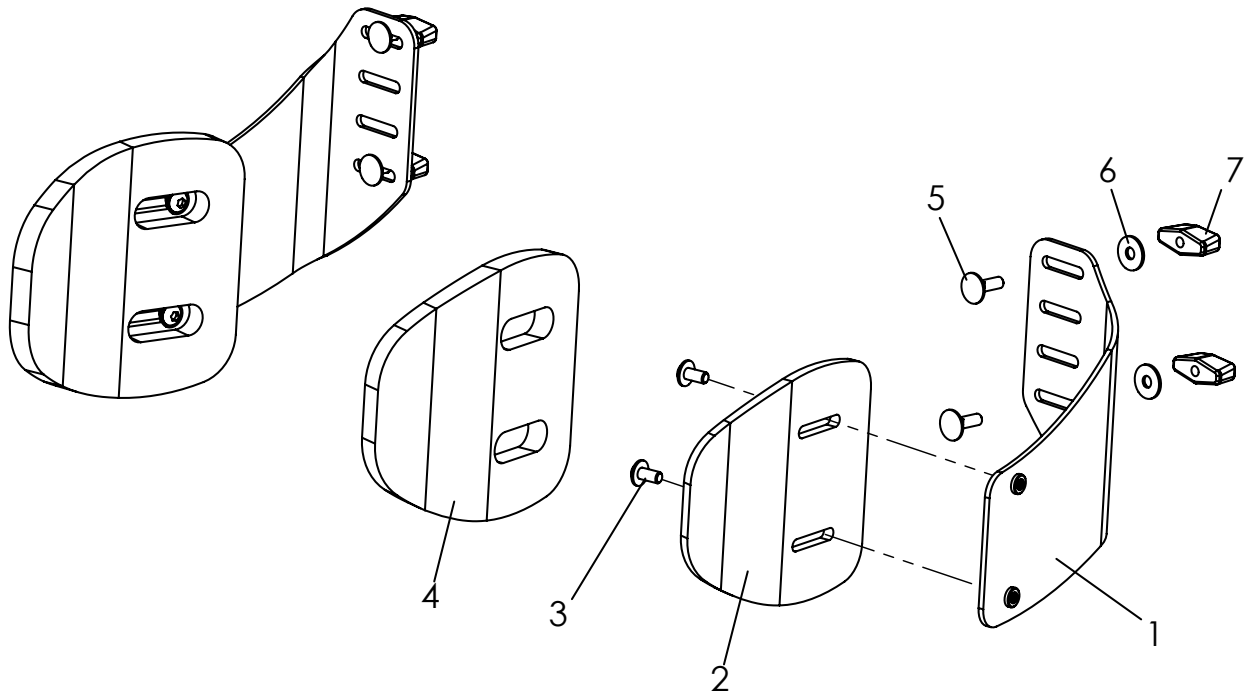
Pos	Article number	Articel description	Quantity	Unit
1-10	3248-7300	Tie down kit	1	Pc.
1	3248-7311-015	Lashing front left	1	Pc.
2	3248-7312-015	Lashing front right	1	Pc.
3	3248-7321-015	Lashing back side	2	Pc.
4	1029-0820	Button head socket screw M8x20	2	Pc.
5	1051-0008	Washer A8,4	2	Pc.
6	3201-7350	Slide bushing	2	Pc.
7	1042-0008	Hexagon nut self-locking M8	2	Pc.
8	1042-0006	Hexagon nut self-locking M6	8	Pc.
9	1029-0616	Button head socket screw M6x16	8	Pc.
10	1914-0007	Adhesive lable with hook symbol (4 pcs.)	1	Set

Spare parts



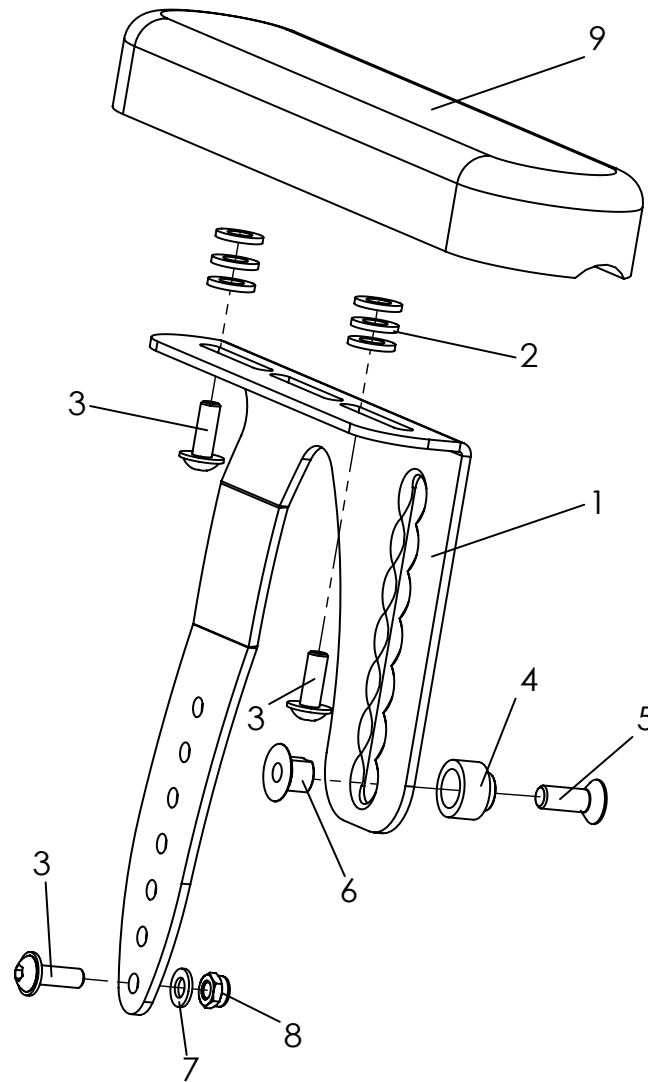
Pos	Article number	Articel description	Quantity	Unit
1-7	3246-68SW-306	Thoracic support, Back panel trough shaped	1	Pair
1	3246-6820-015	Pad holder 20° left, 20° for SW 44	1	Pc.
	3246-6810-015	Pad holder 20° right, 20° for SW 45	1	Pc.
	3246-6840-015	Pad holder 25° left, 25° for SW 24, 26, 36, 40	1	Pc.
	3246-6830-015	Pad holder 25° right, 25° for SW 24, 26, 36, 41	1	Pc.
	3246-6860-015	Pad holder 30° left, 30° for SW 32, 34	1	Pc.
	3246-6850-015	Pad holder 30° right, 30° for SW 32, 35	1	Pc.
	3246-6880-015	Pad holder 35° left, 35° for SW 28, 30	1	Pc.
	3246-6870-015	Pad holder 35° left, 35° for SW 28, 31	1	Pc.
2	3220-2030	Pelotte	2	Pc.
3	1030-0510	button head socket screw with flange M5x10	2	Pc.
4	3220-2040	Adhesive foam pad for RAC trunk support	2	Pc.
5	1026-0516	Mushroom head square neck bolt M5x16	4	Pc.
6	1055-0005	Washer A5,3	4	Pc.
7	1123-0500	Wing nut PA black M5	4	Pc.
	3220-2020-306	Cover of trunk support, black	2	Pc.

Spare parts



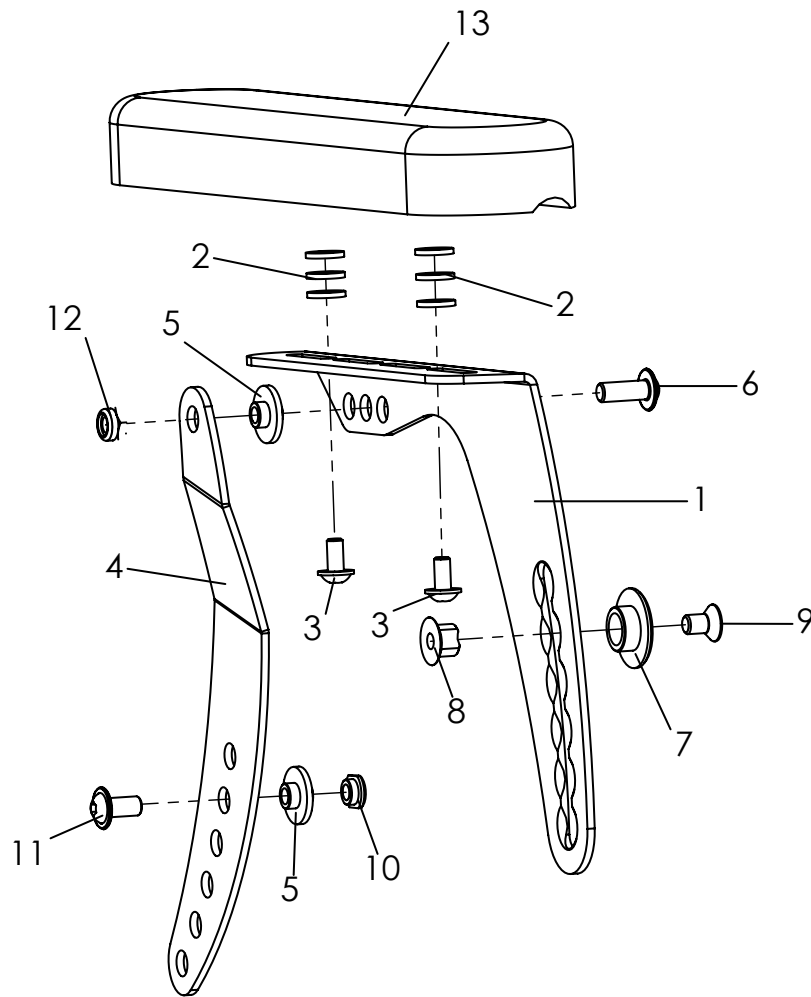
Pos	Article number	Articel description	Quantity	Unit
1-7	3245-6802-306	Thoracic support, 12x13x2, only for back, angle and height adjustable	1	Pair
1	3245-6810-015	Pelotte support right	1	Pc.
	3245-6820-015	Pelotte support left	1	Pc.
2	3220-2030	Pelotte	2	Pc.
3	1030-05010	Button head socket screw with flange M5x10	2	Pc.
4	3220-2040	Adhesive foam pad for RAC trunk support	2	Pc.
5	1026-0516	Mushroom head square neck bolt M5x16	4	Pc.
6	1055-0005	Washer A5,3	4	Pc.
7	1123-0500	Wing nut PA black M5	4	Pc.
	3220-2020-306	Cover of trunk support, black	2	Pc.

Spare parts

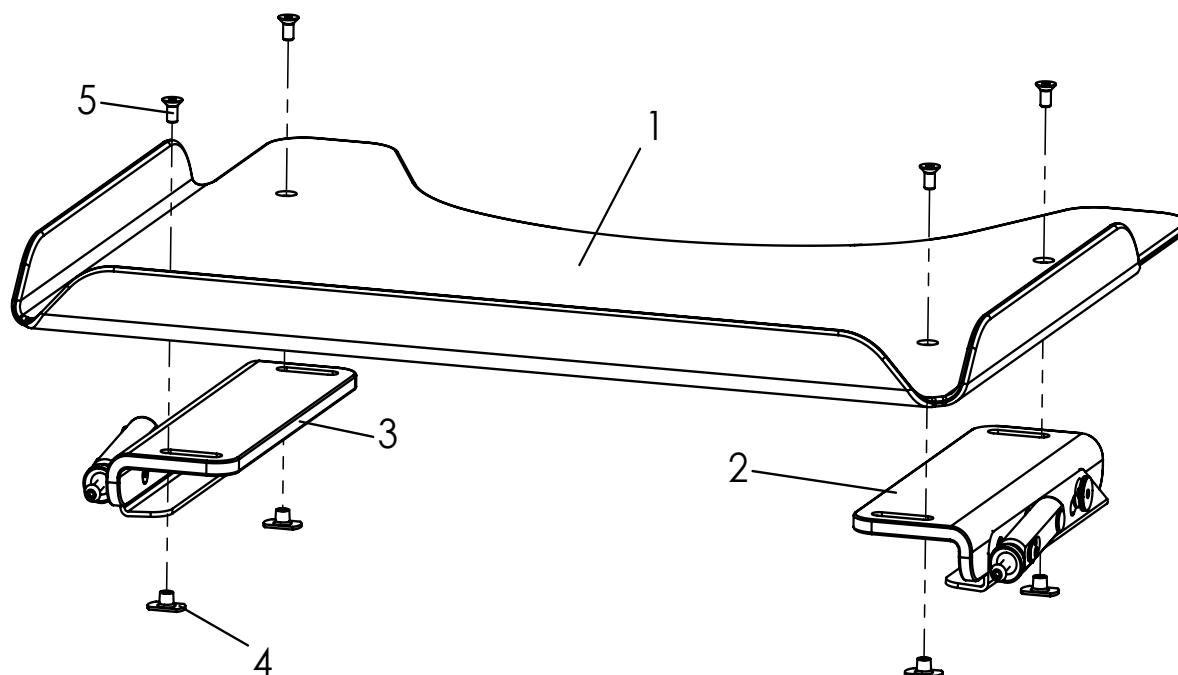


Pos	Article number	Articel description	Quantity	Unit
1-6	3246-6201E	Armrest left size 1, hight from 14-21cm	1	Pc.
	3246-6202E	Armrest right size 1, hight from 14-21cm	1	Pc.
	3246-6301E	Armrest left size 2, hight from 19-26cm	1	Pc.
	3246-6302E	Armrest right size 2, hight from 19-26cm	1	Pc.
1	3246-6211-015	Armrest carrier left size 1	1	Pc.
	3246-6212-015	Armrest carrier right size 1	1	Pc.
	3246-6311-015	Armrest carrier left size 2	1	Pc.
	3246-6312-015	Armrest carrier right size 2	1	Pc.
2	1051-0006	Washer A6,4	6	Pc.
3	1030-0514	Button head socket screw with flange M5x14	3	Pc.
4	3246-1149	Bearing axle for tipping armrest	1	Pc.
5	1024-0616	Hexagon socket countersunk head screw M6x16	1	Pc.
6	3246-6213	Clamping nut	1	Pc.
7	1051-0005	Washer A5,3	1	Pc.
8	1042-0005	Hexagon nut self-locking M5	1	Pc.
9	7000-0024	Armrest pads PU 235mm	1	Pc.
	7000-0047	Armrest pads PU 270mm	1	Pc.

Spare parts

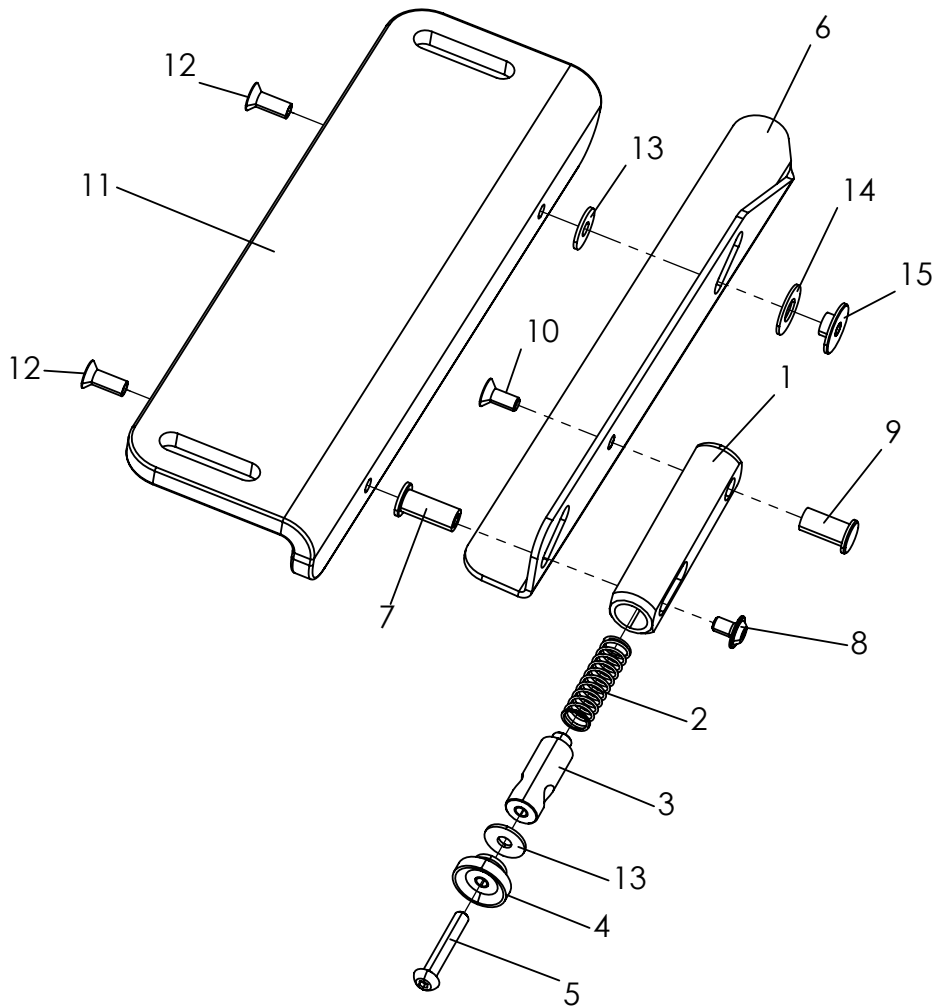


Pos	Article number	Articel description	Quantity	Unit
1-13	3246-6401E	Armrest with tilt balancing, left size 1, higt from 15-21cm (displayed)	1	Pc.
	3246-6402E	Armrest with tilt balancing, right size 1, higt from 15-21cm	1	Pc.
	3246-6501E	armrest with tilt balancing, left size 2, hight from 18-26cm	1	Pc.
	3246-6502E	armrest with tilt balancing, right size 2, hight from 18-26cm	1	Pc.
1	3246-6411-015	Armrests carrier swivel left, size 1	1	Pc.
	3246-6412-015	Armrests carrier swivel right, size 1	1	Pc.
	3246-6511-015	Armrests carrier swivel left, size 2	1	Pc.
	3246-6512-015	Armrests carrier swivel right, size 2	1	Pc.
2	1051-0006	Washer A6,4	6	Pc.
3	1030-0514	Button head socket screw with flange M5x14	2	Pc.
4	3246-6413	Swing arm armrest left	1	Pc.
	3246-6414	Swing arm armrest right	1	Pc.
5	3210-1238	Shoulder bushing	2	Pc.
6	1030-0616	Button head socket screw with flange M6x16	1	Pc.
7	3246-6215	Bearing for armrest	1	Pc.
8	3246-6213	Clamping nut	1	Pc.
9	1024-0610	Hexagon socket countersunk head screw M6x10	1	Pc.
10	3246-6216	Collar nut M6	1	Pc.
11	1030-0612	Button head socket screw with flange M6x12	1	Pc.
12	1042-0006	Hexagon nut self-locking M6	1	Pc.
13	7000-0024	Armrest pads PU 235mm	1	Pc.
	7000-0047	Armrest pads PU 270mm	1	Pc.



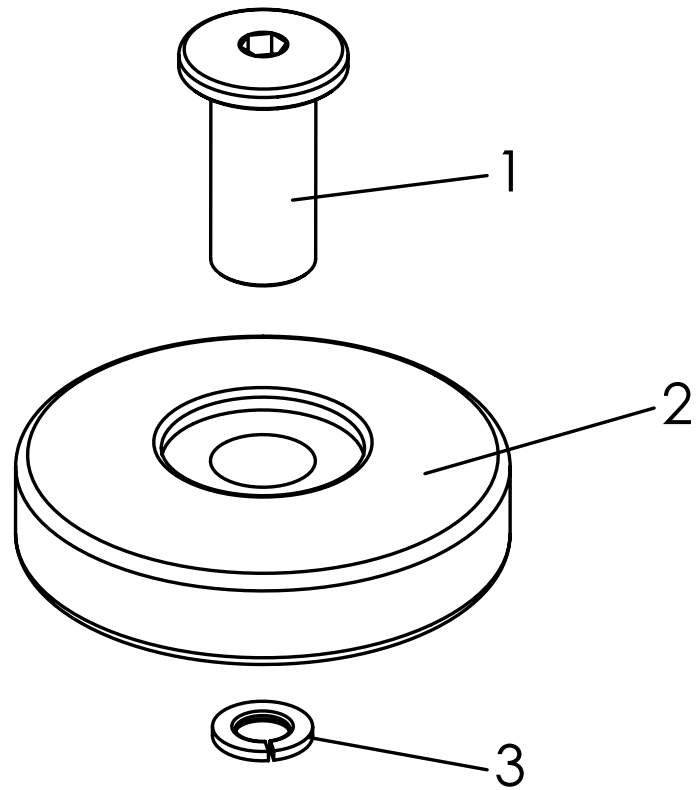
Pos	Article number	Articel description	Quantity	Unit
1-5	3240-8202	Table board size 2, SW 24-28	1	Pc.
	8240-8203	Table board size. 3, SW 28-30	1	Pc.
	8240-8204	Table board size 4, SW 32-36	1	Pc.
1	3240-8292	Table board	1	Pc.
	3240-8293	Table board	1	Pc.
	3240-8294	Table board	1	Pc.
2	3240-8220E	Clamping unit, right	1	Pc.
3	3240-8210E	Clamping unit, left	1	Pc.
4	1049-0052	T-nut L-M6x8,5	4	Pc.
5	1024-0612	Hexagon socket countersunk head screw M6x12	4	Pc.

Spare parts



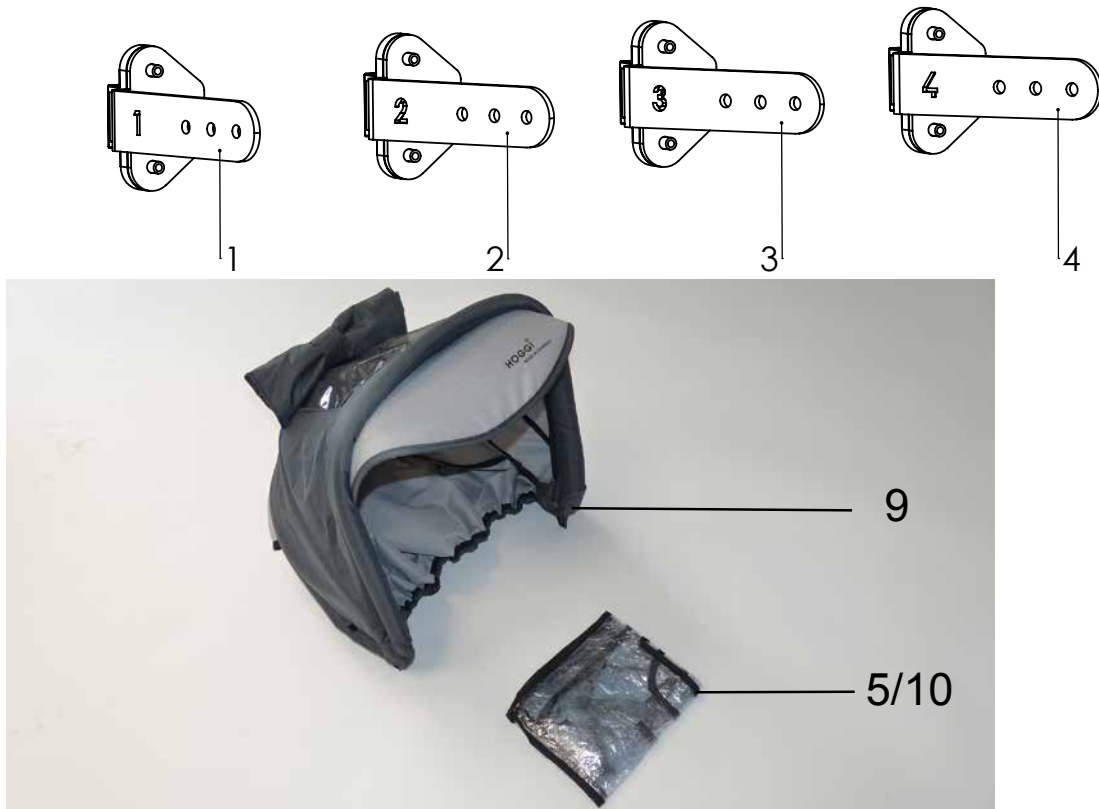
Pos	Article number	Articel description	Quantity	Unit
1-14	3240-8210E	Clamping unit, left	1	Pc.
	3240-8220E	Clamping unit, right	1	Pc.
1	3240-8214	Spring housing	1	Pc.
2	1131-0043	Compression spring D-143F	1	Pc.
3	3240-8215	Spring guide	1	Pc.
4	1124-0500	Knurled nut PA black M5	1	Pc.
4	1124-0500	Knurled nut PA black M5	1	Pc.
5	1029-0530	button head socket screw M5x30	1	Pc.
6	3240-8212-015	Terminal strip, left	1	Pc.
	3240-8222-015	Terminal strip, right	1	Pc.
7	3240-8217	Bearing bush	1	Pc.
8	1030-0508	Button head socket screw with flange M5x8	1	Pc.
9	3240-8216	Bearing bush	1	Pc.
10	1024-0512	Hexagon socket countersunk head screw M5x12	1	Pc.
11	3240-8211	Adjusting bracket	1	Pc.
12	1024-0514	Hexagon socket countersunk head screw M5x14	2	Pc.
13	1055-0005	Washer A5,3	2	Pc.
14	1113-0003	Washer PA 18x8,4x1 black	1	Pc.
15	3240-8218	Bearing bush	1	Pc.

Spare parts



Pos	Article number	Articel description	Quantity	Unit
1-3	3275-1910	Bumper wheels	1	Set
1	3275-1911	Axle deflector role	1	Pc.
2	1249-0001	Deflector role	1	Pc.
3	1059-0010	Spring washer M8	1	Pc.

Spare parts



Pos	Article number	Articel description	Quantity	Unit
1, 5-9	3245-9300-323	SBO canopy incl. adapter and rain protection, iron grey, suit to back 3245-29SW, SW 24-34	1	Pc.
1, 6-10	3245-9301-323	SBO canopy incl. adapter and ZIP 2 rain protection, iron grey, suit to back 3245-29SW, SW 36-44	1	Pc.
2, 5-9	3245-9302-323	SBO canopy incl. adapter and rain protection, iron grey, suit to back 3245-32SW, SW 24-26	1	Pc.
4, 5-9	3245-9303-323	SBO canopy incl. adapter and rain protection, iron grey, suit to back 3245-32SW, SW 28-30	1	Pc.
3, 5-9	3245-9304-323	SBO canopy incl. adapter and rain protection, iron grey, suit to back 3245-32SW, SW 32-34	1	Pc.
2, 6-10	3245-9305-323	SBO canopy incl. adapter and ZIP 2 rain protection, iron grey, suit to back 3245-32SW, SW 36-44	1	Pc.
1	3245-9310E	Canopy bracket with holder for SWINGBO (retrofit) suit to Angleadjust. and foldable back 3245-29SW	1	Set
2	3248-9310E	canopy bracket with holder for SWINGBO (retrofit), for mold form back, SW 24, 26, 36, 40, 44	1	Set
3	3248-9330E	canopy bracket with holder for SWINGBO (retrofit), for mold form back 30°, SW 32 + 34	1	Set
4	3248-9320E	canopy bracket with holder for SWINGBO (retrofit), for mold form back 35°, SW 28 + 30	1	Set
Fasteners, not displayed.				
5	7000-0008	Rain protection	1	Pc.
6	1030-0514	Button head socket screw with flange M5x14	4	Pc.
7	1044-0005	Hexagonal domed cap nut self-locking M5	4	Pc.
8	1055-0005	Washer A5,3	4	Pc.
9	7000-0007-323	Canopy with rain cover, grey	1	Pc.
10	7000-0037	Rain protection ZIP 2, for SW 36 to 44	1	Pc.
	Canopy holder: 1	for angleadjust. and foldable back, for SW 24-44		
	Canopy holder: 2	for mold form back, for SW 24, 26, 36, 40, 44		
	Canopy holder: 3	for mold form back, for SW 32 and 34		
	Canopy holder: 4	for mold form back, for SW 28 and 30		

HOGGI GmbH
Eulerstraße 27 • 56235 Ransbach-Baumbach • Deutschland
Telefon: (+49) 2623 / 92 499-0 • Telefax: (+49) 2623 / 92 499-99
E-mail: info@hoggi.de • www.hoggi.de
