
HOGGI[®]



CLEO
Spare parts catalogue

en

Index

1 CLEO Modellidentifikation

1.1	Serialnumber	4
1.2	Frame width / Seat width	4

2 CLEO Spare parts

2.1	Base frame	5-6
2.2	Camber adapter	7
2.3	Seat panel	8
2.3	Seat panel reinforcement for Cleo-Ti	9
2.4	Back base „rigid“	10
2.5	Back base „angle adjustable“	12
2.6	Assembly parts, Back base	12
2.7	Tie down kit	13
2.8	Back extension	14
2.9	Push bar	15-16
2.10	Push handle	17-18
2.11	Push bar handle	19
2.12	HOGGI light break	20
2.13	Wheel guards variation	21
2.14	Wheel guards	22
2.15	Wheel guard with integrated Break	23
2.16	Break lever	24
2.17	Integrated Break	25
2.18	Break	26
2.19	Wheel cover with integrated armrest	27-28
2.20	Armrest holder	29
2.21	Arm rest	30
2.22	Wheel guard with integrated arm rest and integrated break	31
2.23	Therapy trai	32
2.23	Clamping unit	33
2.24	Rear wheels	34
2.25	Rear wheels for drum break	35-36
2.26	Spoke guard	37
2.27	Lenkräder	38
2.28	Caster fork	39

3 CLEO Spare parts

3.1	Foot rest hanger 90°	40
3.2	Transfer support CLEO	41
3.3	foot rest hanger angle adjustable 90-155°	42
3.4	Foot rest bracket	43
3.5	Foot rest bracket, lockable	44
3.6	Foot board	45
3.7	Anti tipper	46
3.8	Tip assist	47
3.9	Bumper wheels	48
3.10	Abduction block	49
3.11	Upholstery	50

Index

3.12 Universal headrest bracket	51
3.13 Head rest with mounting bracket	52
3.14 Push-rim cover in silicone	53
3.15 CLEO extension kit of 2 cm	54
3.16 CLEO extention kit foldable back	55
3.17 CLEO extention kit CLEO-Ti	56
3.18 CLEO-Ti	57
3.19 Tilting unit	58-59
3.20 Locking unit	60
3.21 Tilt adjustment	61
3.22 Back for CLEO-Ti	62
3.23 Hitch for BOBBY-CAR	63

Spare parts

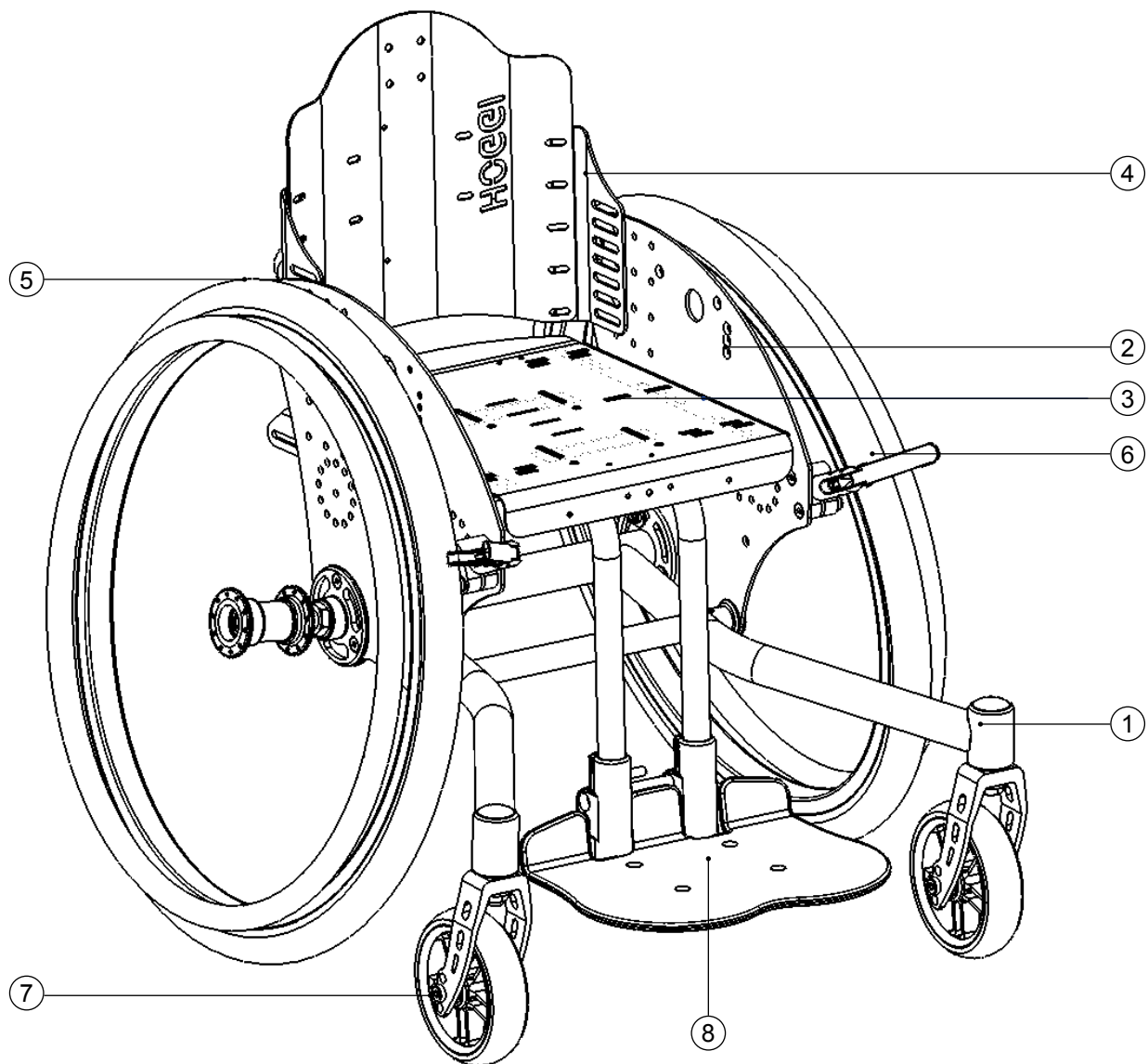
1 Modellidentifikation

The label with the serial number is placed on the back of the axle tube.

Please give us the Serial number with every spare part order, to ensure a correct delivery.

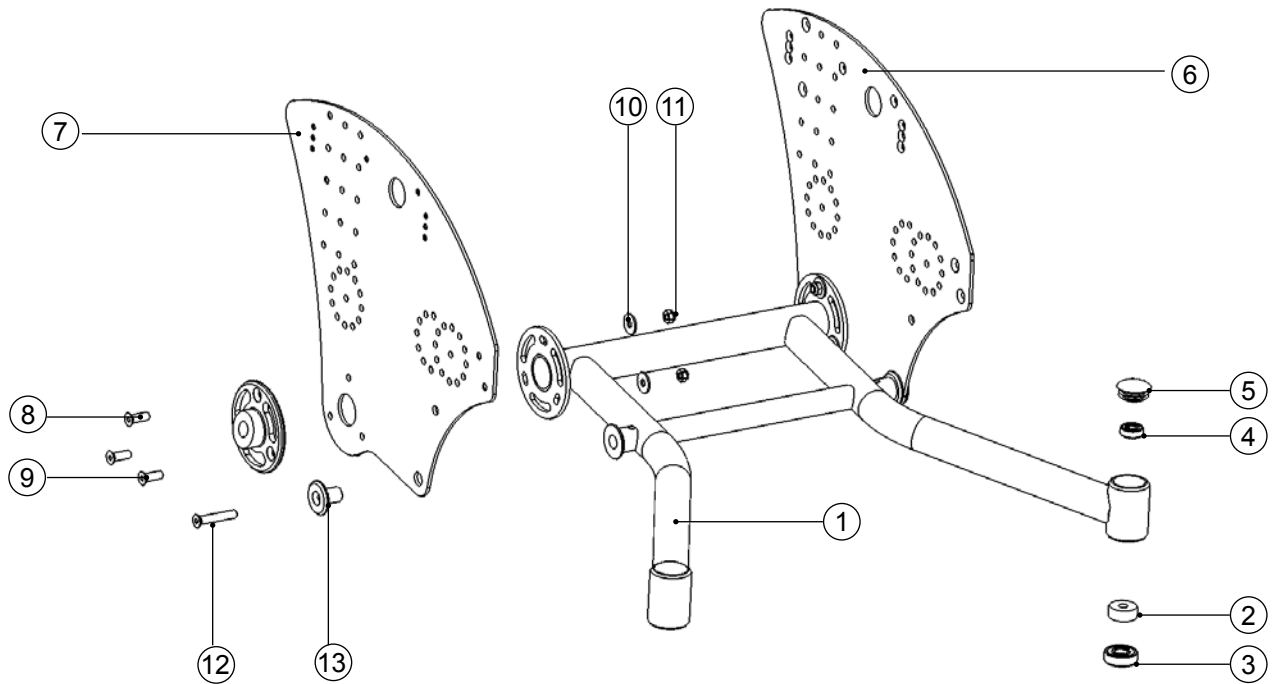
	Colour code Item number Size Serial number CE-Identification
	Type designation Produkt name Maximum user wight / Maximum load
	Manufacturer Manufacturer Year of manufactur

Spare parts



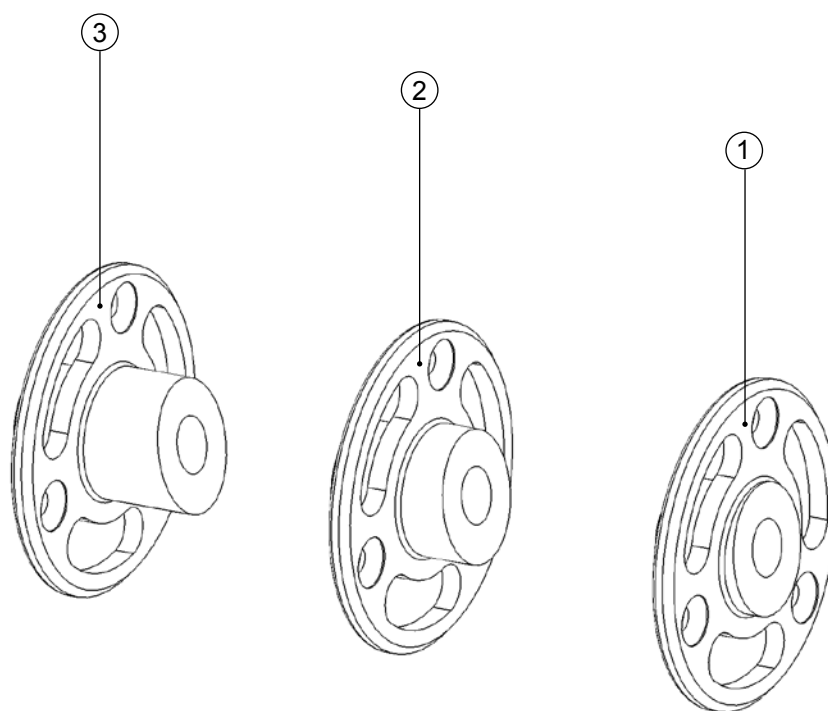
Pos	Article number	Articel description	Page
1	327X-00SWE	CLEO Base frame	7
2	327X-14X0E-XXX	Base plates	7
3	3275-21SWE-XXX	Seat panel	9
4	3274-XXSWE-XXX	Back base with back panel	10
	327X-XXSW-XXX	Back base „angle adjustable“	11
5	129X-XXXX	Rear wheels	33
6	3275-1700E	HOGGI light Break	20
7	12XX-100XE	Front wheels with caster fork	38
8	327X-28XX	Foot rest hanger	39

Spare parts



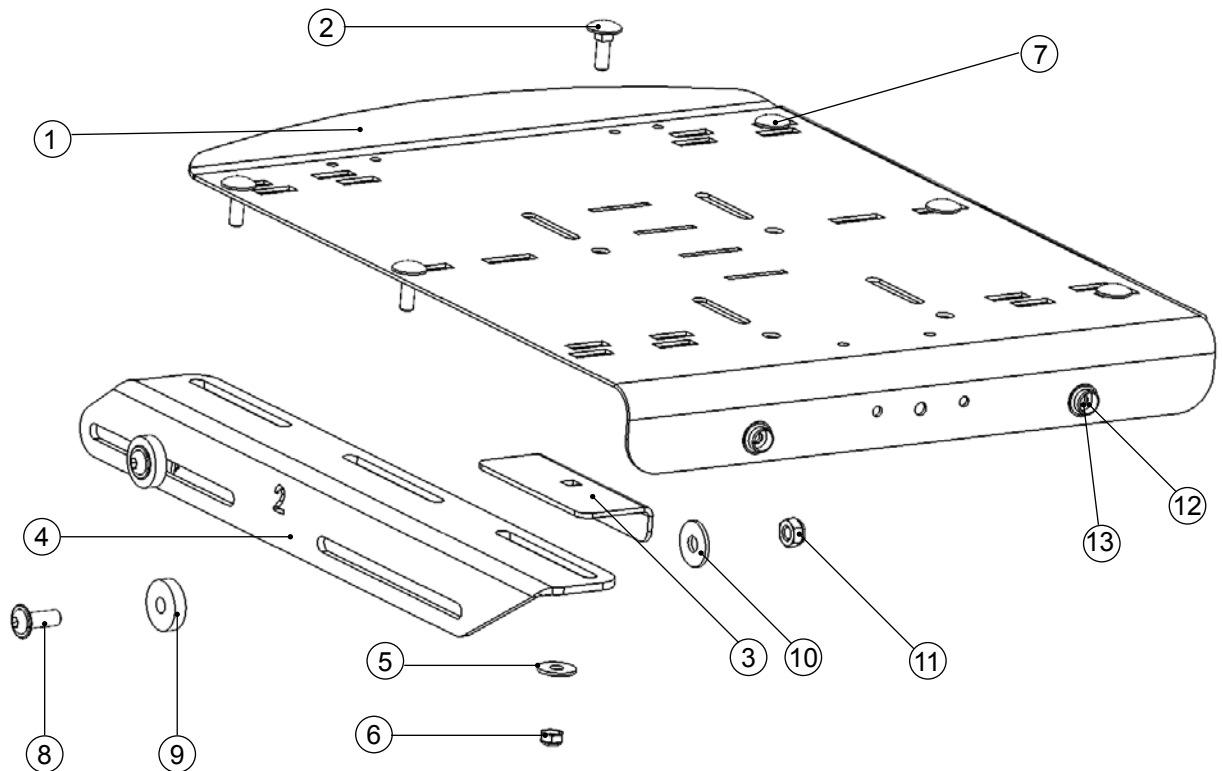
Pos	Article number	Articel description	Quantity	Unit
1-5	327X-11SWE-000	Base frame, complete	1	Pc.
2	3240-1172	Abrasive sleeve	2	Pc.
3	1090-0005	Grooved ball bearing D28xd12x8	2	Pc.
4	1090-0001	Grooved ball bearing D19xd8x6	2	Pc.
5	1141-0016	Ribbed insert SFL 30 30x0,8-2,5	2	Pc.
6	3274-1423-XXX	Base plate 20" aluminum left	1	Pc.
	3274-1413	Base plate 20" Carbon , left	1	Pc.
	3275-1423-XXX	Base plate 22" aluminium, left	1	Pc.
	3275-1413	Base plate 22" Carbon left,	1	Pc.
	3276-1423-XXX	Base plate 24" aluminium, left	1	Pc.
	3276-1413	Base plate 24" Carbon left	1	Pc.
7	3274-1424-XXX	Base plate 20" aluminum right	1	Pc.
	3274-1414	Base plate 20" Carbon , right	1	Pc.
	3275-1424-XXX	Base plate 22" aluminium, right	1	Pc.
	3275-1414	Base plate 22" Carbon right	1	Pc.
	3276-1424-XXX	Base plate 24" aluminium, right	1	Pc.
	3276-1414-XXX	Base plate 24" Carbon right	1	Pc.
8	1024-0625	Hexagon socket countersunk head screw M6x25	4	Pc.
9	1024-0620	Hexagon socket countersunk head screw M6x20	6	Pc.
10	1055-0006	Washer A6,4	6	Pc.
11	1042-0006	Hexagon nut self-locking M6	6	Pc.
12	1024-0640	Hexagon socket countersunk head screw M6x40	2	Pc.
13	3275-1417-007	Rosette black anodized	2	Pc.

Spare parts



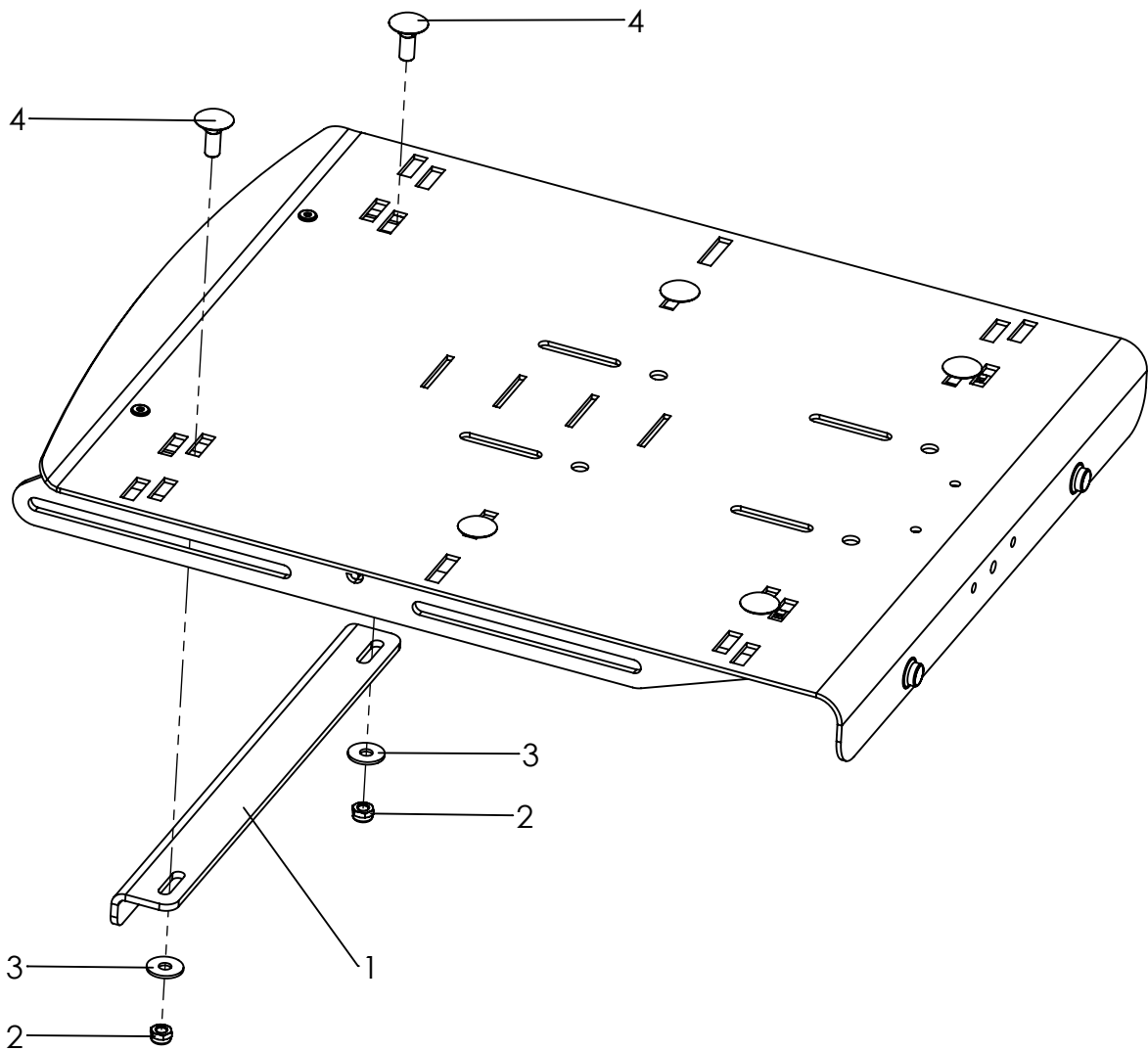
Pos	Article number	Articel description	Quantity	Unit
1	3275-1292-006	Camber adapter anodized 6°	2	Pc.
2	3275-1293-006	Camber adapter anodized 9°	2	Pc.
3	3275-1294-006	Camber adapter anodized 12°	2	Pc.

Spare parts



Pos	Article number	Articel description	Quantity	Unit
1-11	3275-21SWE-000	Seat panal, complete	1	Set
1	3275-21SW	Seat panel	1	Pc.
2	1026-0516	Mushroom head square neck bolt M5x16	2	Pc.
3	3275-2119-015	Supporting bracket extension	2	Pc.
4	3275-2111-015	Support bracket left size 1	1	Pc.
	3275-2113-015	Support bracket left size 2	1	Pc.
	3275-2115-015	Support bracket left size 3	1	Pc.
	3275-2112-015	Support bracket right size 1	1	Pc.
	3275-2114-015	Support bracket right size 2	1	Pc.
	3275-2116-015	Support bracket right size 3	1	Pc.
5	1055-0005	Washer A5,3	6	Pc.
6	1042-0005	Hexagon nut self-locking M5	6	Pc.
7	1026-0512	Mushroom head square neck bolt M5x12	4	Pc.
8	1030-0620	button head socket screw with flange M6x20	4	Pc.
9	3274-7314-007	Spacer bushing 20 x 6.2 x 5,	4	Pc.
10	1055-0006	Washer A6,4	4	Pc.
11	1042-0006	Hexagon nut self-locking M6	4	Pc.
12	1533-0005	Ring-ball part	4	Pc.
13	1061-0406	Blind rivet F4x6	4	Pc.

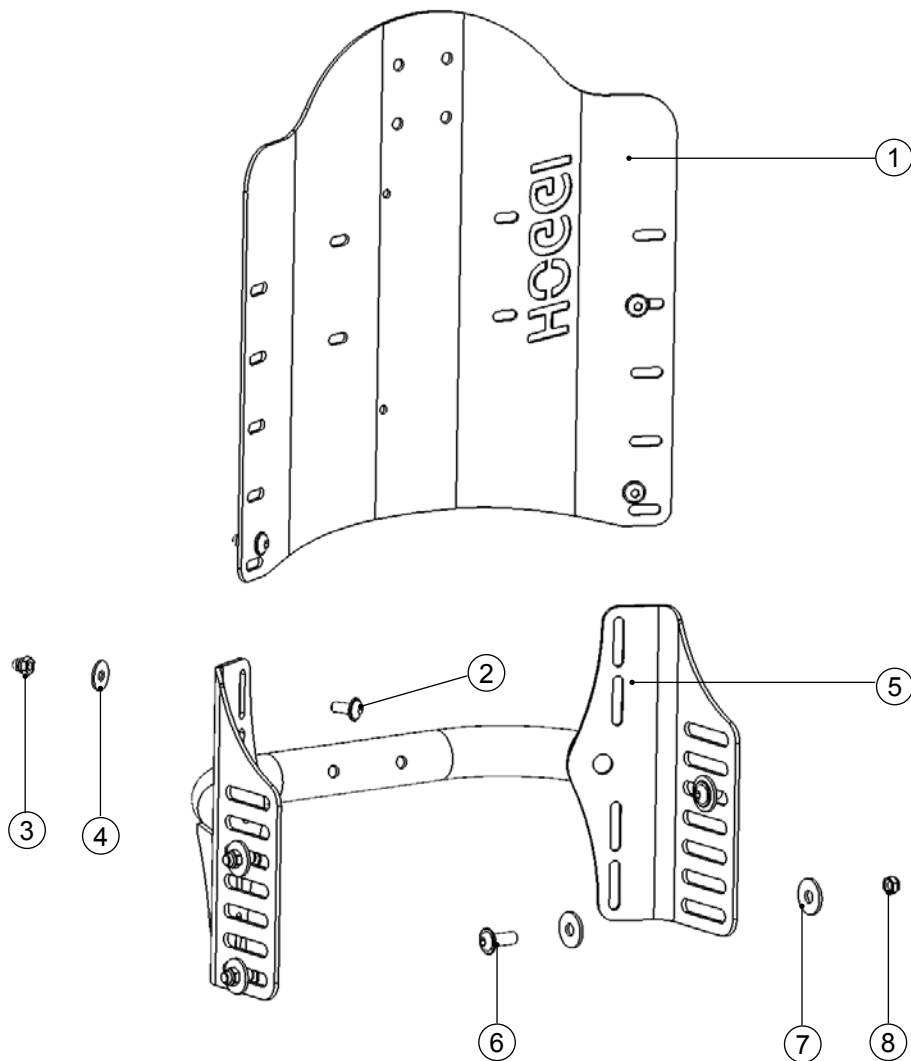
Spare parts



Pos	Article number	Articel description	Quantity	Unit
1	3278-21SW	Seat reinforcement for Cleo Ti , <i>SW must be replaiced with 30, 32 or 34</i>	1	St
2	1042-0005	Hexagon nut self-locking M5	2	St
3	1055-0006	Washer A5,3	2	St
4	1026-0516	Mushroom head square neck bolt M5x16	2	St

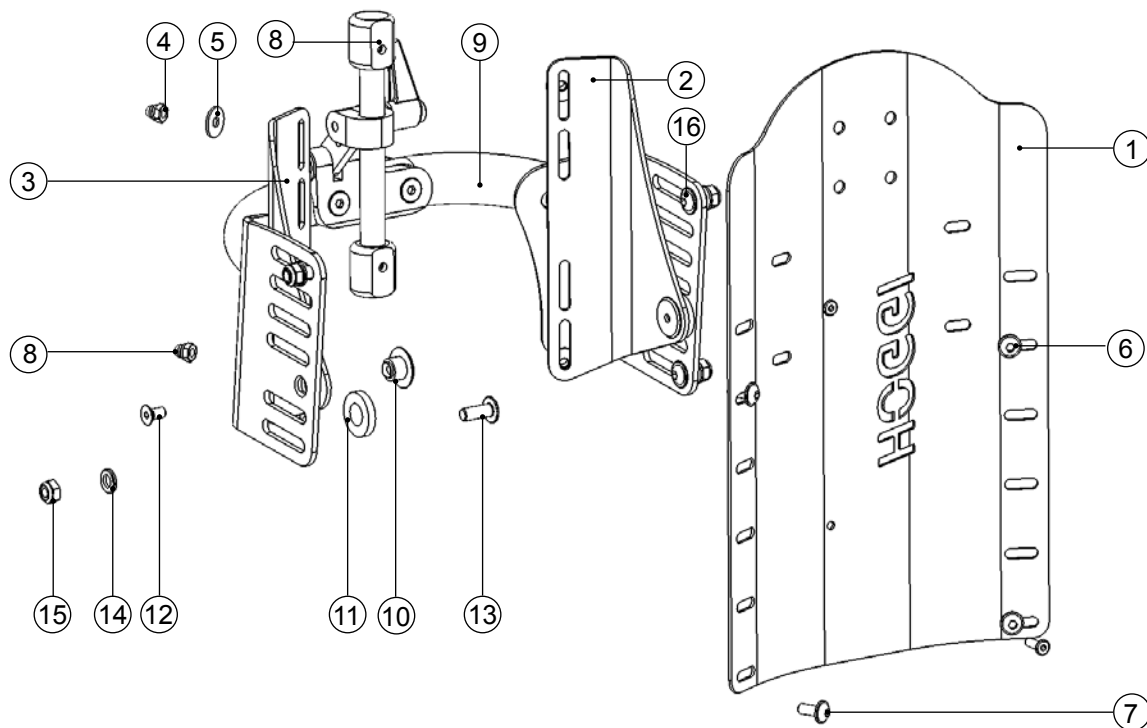
When a tie down kit is orderd for Cleo-Ti, the seat reinforcement must also be order from SW 30 up to 34.

Spare parts



Pos	Article number	Articel description	Quantity	Unit
1-8	3274-25SWE	Back base "rigid" with back panel, RH 20 cm	1	Set
	3274-26SWE	Back base "rigid" with back panel, RH 25 cm	1	Set
	3274-27SWE	Back base "rigid" with back panel, RH 30 cm	1	Set
	3274-28SWE	Back base "rigid" with back panel, RH 35 cm	1	Set
1-4	3274-31SWE-000	Back panel, Panel hight 20 cm	1	Pc.
	3274-32SWE-000	Back panel, Panel hight 25 cm	1	Pc.
	3274-33SWE-000	Back panel, Panel hight 30 cm	1	Pc.
	3274-34SWE-000	Back panel, Panel hight 35 cm	1	Pc.
2	1030-0512	Button head socket screw with flange M5x12	4	Pc.
3	1044-0005-033	Hexagonal domed cap nut self-locking black M5, black	4	Pc.
4	1055-0005-033	Washer A5,3, black	1	Pc.
5-8	3275-22SWE-000	Back base	1	Pc.
6	1030-0620	Button head socket screw with flange M6x20	4	Pc.
7	1055-0006	Washer A6,4	4	Pc.
8	1021-0006	Hexagon nut self-locking M6	4	Pc.

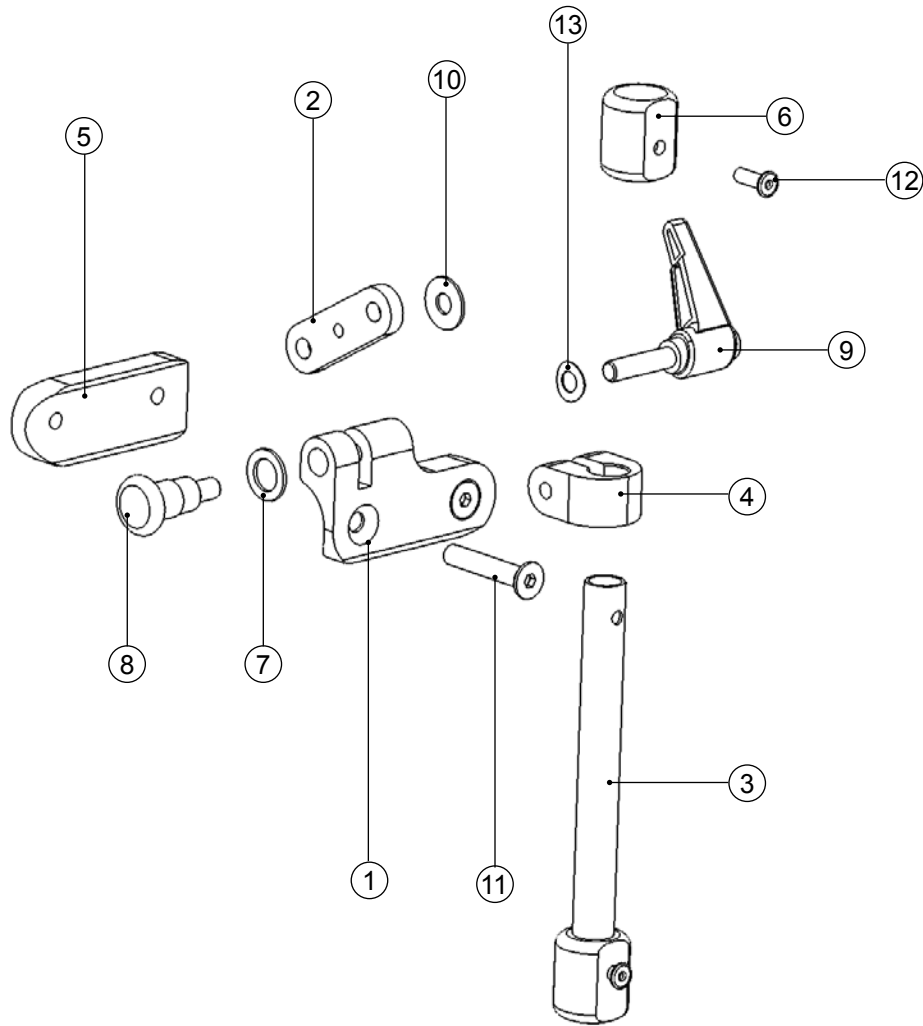
Spare parts



Pos	Article number	Articel description	Quantity	Unit
1-13	3276-26SW-000	Back base „angle adjustable“, with back panel, RH 25 cm	1	Pc.
	3276-27SW-000	Back base „angle adjustable“, with back panel, RH 30 cm	1	Pc.
	3276-28SW-000	Back base „angle adjustable“, with back panel, RH 35 cm	1	Pc.
	3276-41SW-000	Back base „angle adjustable“, with back panel, RH 40 cm	1	Pc.
1-8*	3274-32SWE-XXX	Back panel, panel hight 25 cm	1	Pc.
	3274-33SWE-XXX	Back panel, panel hight 30 cm	1	Pc.
	3274-34SWE-XXX	Back panel, panel hight 35 cm	1	Pc.
	3274-35SWE-XXX	Back panel, panel hight 40 cm	1	Pc.
2	3276-2313E-XXX	Back elements, left	1	Pc.
3	3276-2314E-XXX	Back elements, right	1	Pc.
4	1044-0005-033	Hexagonal domed cap nut self-locking black M5	2	Pc.
5	1055-0005-033	Washer A5,3 black A5,3	4	Pc.
6	1030-0514	Button head socket screw with flange M5x14	2	Pc.
7	1030-0512	Button head socket screw with flange M5x12	2	Pc.
8	1042-0005-033	Hexagon nut self-locking black M5	2	Pc.
9	3276-222SW-000	Back base	1	Pc.
10	3274-2559	Back bearing	2	Pc.
11	3274-2558	Bushing 25x14x11x6,8	2	Pc.
12	1024-0510	Hexagon socket countersunk head screw M5x10	2	Pc.
13	1030-0616	Button head socket screw with flange M6x16	4	Pc.
14	1055-0006	Washer A6,4	4	Pc.
15	1042-0006	Hexagon nut self-locking M6	4	Pc.
16	1030-0616	Button head socket screw with flange M6x16	4	Pc.

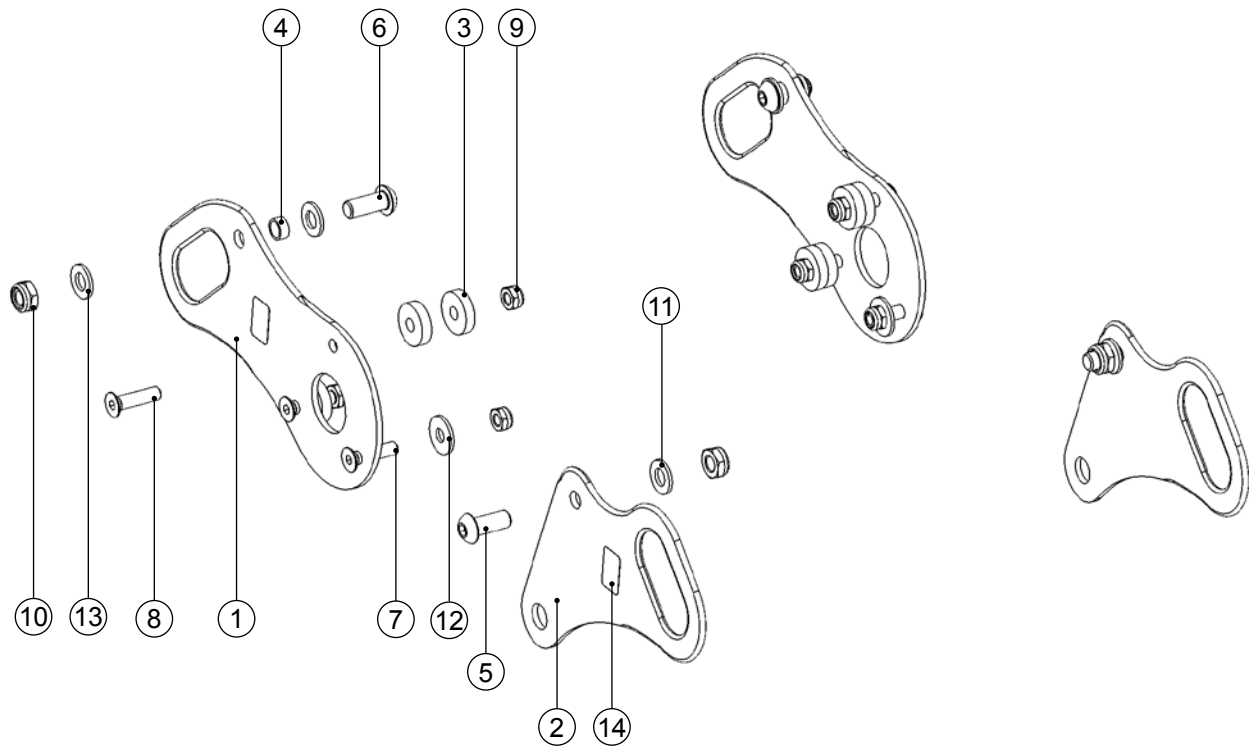
*Back panel is always 1 size smaler then SW.
e.g. SW 32 0 back panel SW30

Spare parts



Pos	Article number	Articel description	Quantity	Unit
1-13	3276-2600	Montageteile Rückenbasis winkelverstellbar	1	Set
1	3274-2551-007	Support lever holder black anodised	1	Pc.
2	3274-2552	Support lever	1	Pc.
3	3274-2553	Sliding rail	1	Pc.
4	3274-2554-007	Clamp block black anodized	1	Pc.
5	3274-2555-007	Screw bar black anodized	1	Pc.
6	3201-8280	Bearing block	2	Pc.
7	1059-0001	Shim ring 10x16x1,2	1	Pc.
8	1127-0009	Lock pin d6xM10xS10x33,5	1	Pc.
9	1121-0625	Locking lever PA black M6x25	1	Pc.
10	1113-0046	Washer PE white 16x6,4x1	1	Pc.
11	1024-0635	Hexagon socket countersunk head screw M6x35	2	Pc.
12	1062-0412	Blind rivet F4x12	2	Pc.
13	1052-0006	Spring washer B6	1	Pc.

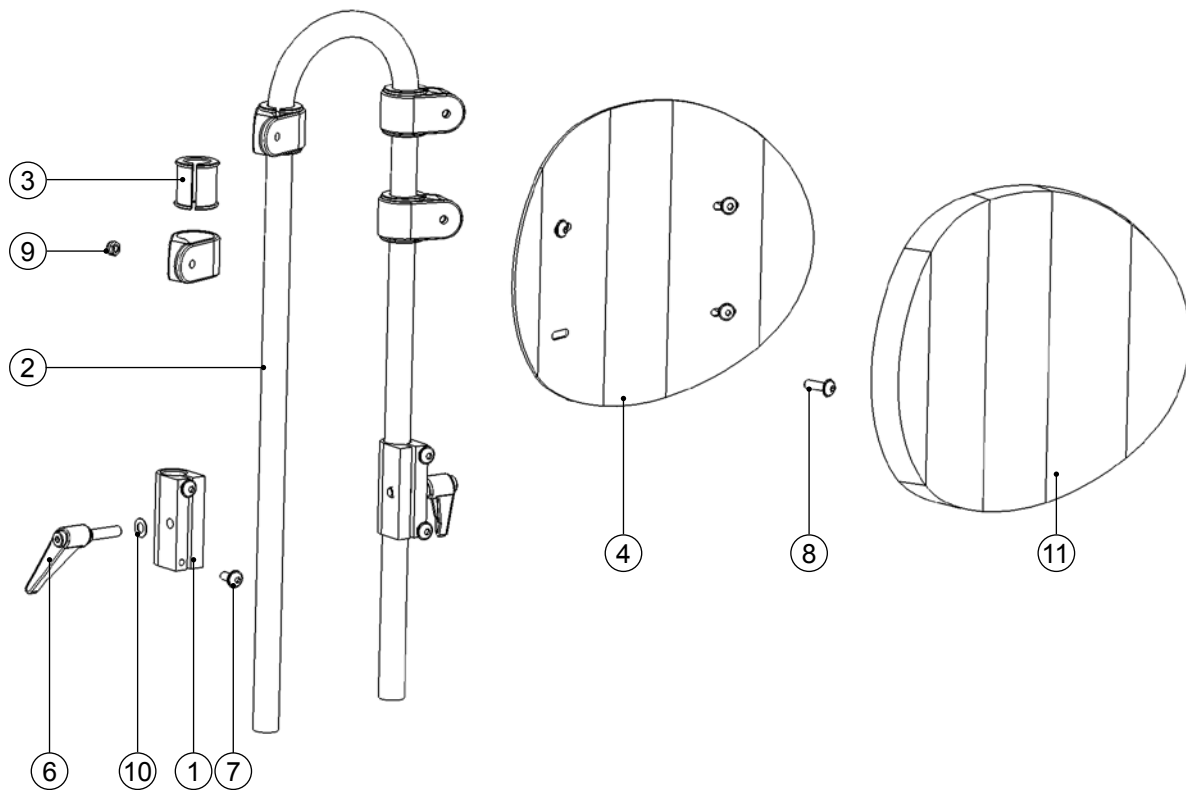
Spare parts



Pos	Article number	Articel description	Quantity	Unit
1-15	3274-7300	Tie down kit	1	Set
1	3274-7311-015	Lashing rear	2	Pc.
2	3274-7314-015	Lashing front	2	Pc.
3	3274-7314	Spacer bushing 20 x 6.2 x 5	8	Pc.
4	3201-7350	Slide bushing	2	Pc.
5	1029-0616	button head socket screw M6x16	2	Pc.
6	1029-0820	button head socket screw M8x20	2	Pc.
7	1024-0625	Hexagon socket countersunk head screw M6x25	2	Pc.
8	1024-0640	Hexagon socket countersunk head screw M6x40	4	Pc.
9	1042-0006	Hexagon nut self-locking M6	8	Pc.
10	1042-0008	Hexagon nut self-locking M8	2	Pc.
11	1051-0006	Washer A6,4	2	Pc.
12	1055-0006	Washer A6,4	2	Pc.
13	1051-0008	Washer A8,4	4	Pc.
14	1914-0007	Adhesive lable with hook symbol (4 pcs.)	4	Pc.
15	1024-0645	Hexagon socket countersunk head screw M6x45	2	Pc.

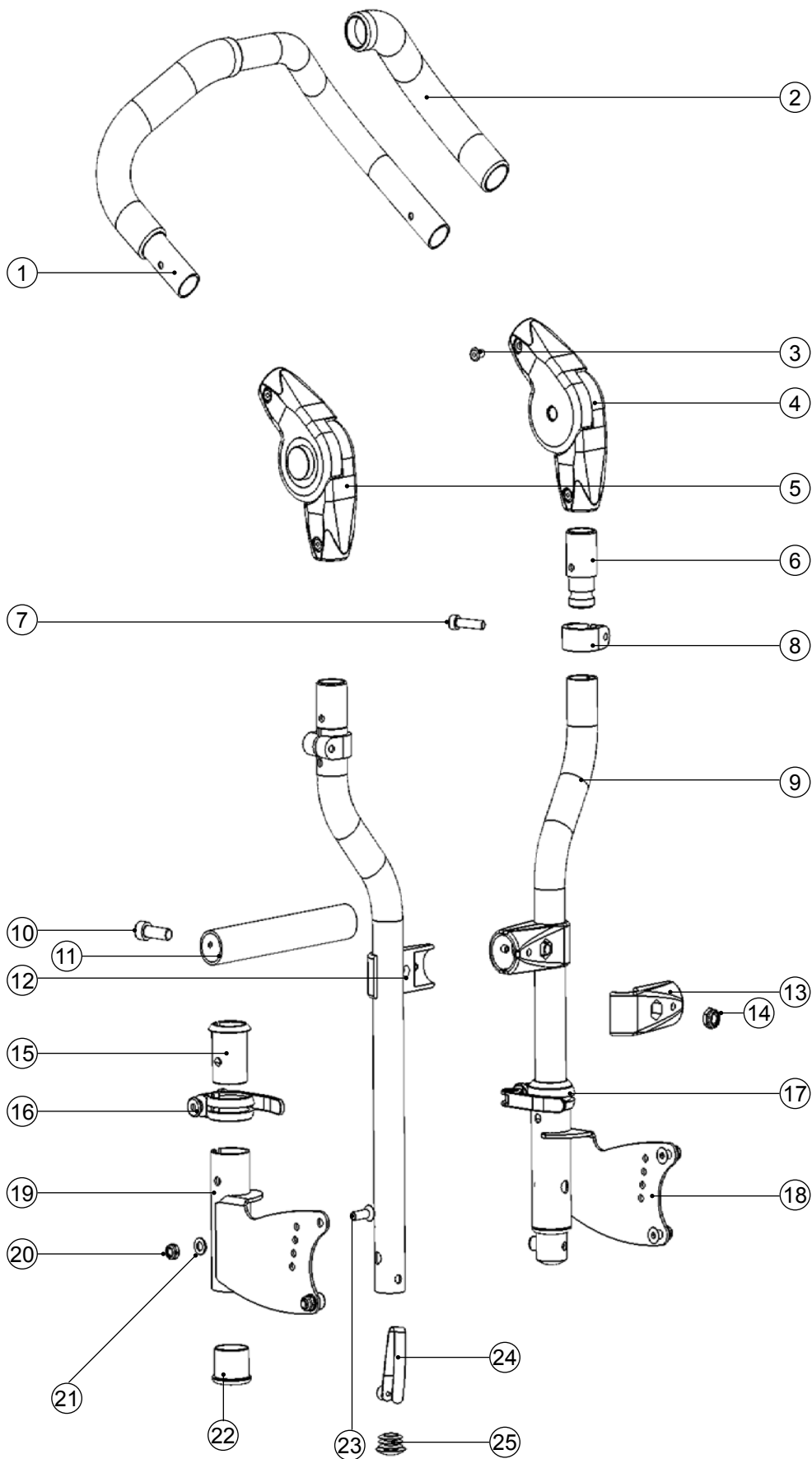
When a tie down kit is orderd for Cleo-Ti, the seat reinforcement must also be order from SW 30 up to 34. Go to page 9.

Spare parts



Pos	Article number	Articel description	Quantity	Unit
1-10	3274-7301	Back rest extension	1	Pc.
1	3274-7342-007	Clamping block back extension black anodized	2	Pc.
2	3274-7351-007	Support bracket, black anodized	1	Pc.
3	3274-7354	Clamping sleeve 25x16x29,5	2	Pc.
4	3274-7361-015	Plate for back rest extesion 1, FS black	1	Pc.
5	3245-3311	Gripper clamp	4	Pc.
6	1121-0625	Locking lever PA black M6x25	2	Pc.
7	1030-0512	Button head socket screw with flange zp M5x12	4	Pc.
8	1030-0518	Button head socket screw with flange zp M5x18	4	Pc.
9	1042-0005	Hexagon nut self-locking zp DIN/ISO 985 M5	4	Pc.
10	1052-0006	Spring washer B6 zp DIN/ISO 137 B6	2	Pc.
11	3274-7370-306	Cushion for back rest extension	1	Pc.

Spare parts

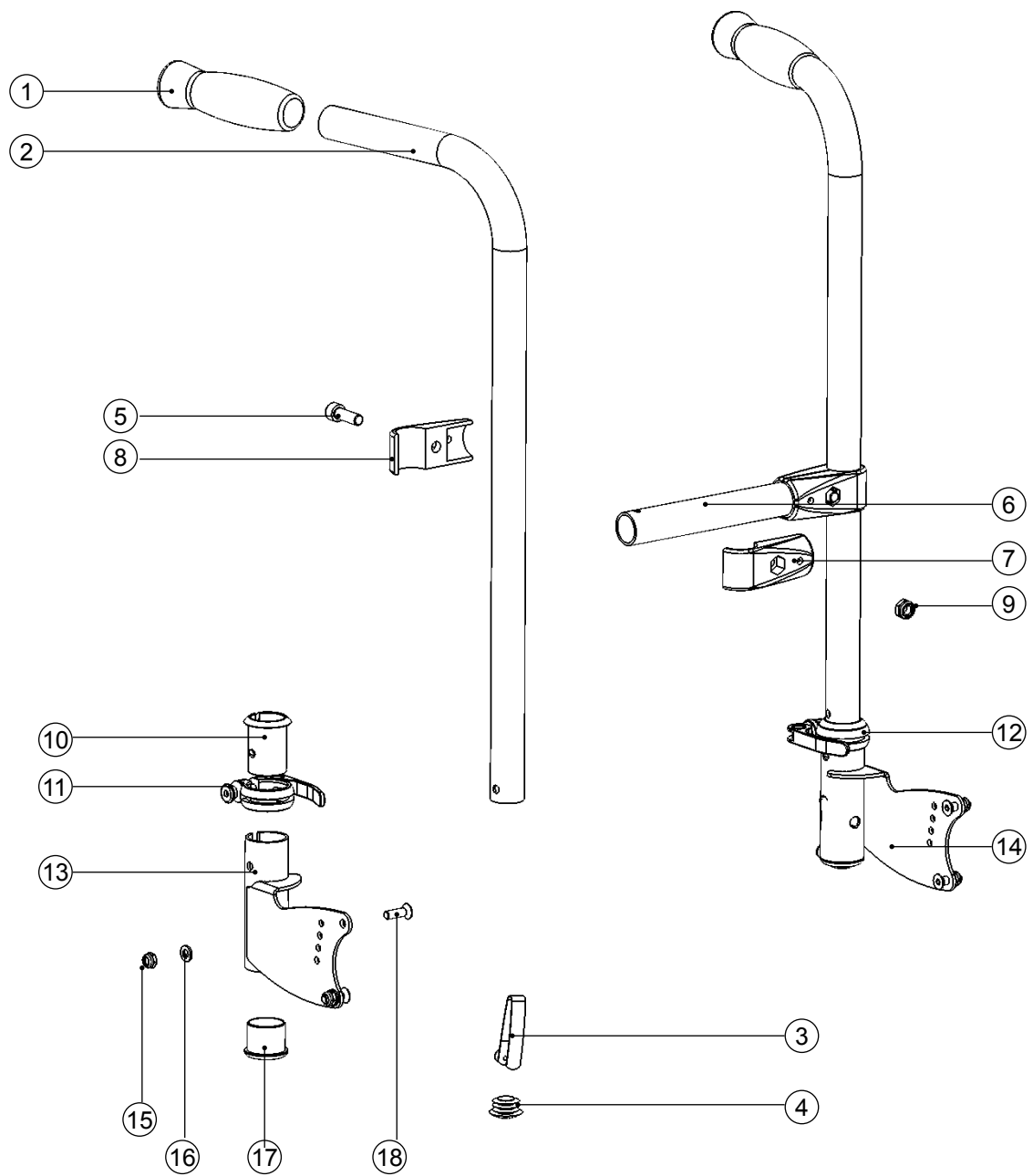


Spare parts

Pos	Article number	Articel description	Quantity	Unit
1-25	3275-52SW	Push bar CLEO	1	Set
	3278-52SW	Push bar CLEO-Ti	1	Set
1-6	3240-5550E	Push bar upper part size.1 complete, SB 24-30 (Ti SB 24-30)	1	Set
	3240-5560E	Push bar upper part size. 2 complete, SB 32-34 (Ti SB 32-34)	1	Set
1	3240-5552-015	Push bar upper part size 1	1	Pc.
	3240-5562-015	Push bar upper part size 2	1	Pc.
2	1143-0001	Handle grip EVA black d30 x 260	2	Pc.
3	1062-0508	Blind rivet F5x8	8	Pc.
4	1129-0009	Ratchet joint 25x22	1	Pc.
5	1129-0009	Ratchet joint 25x22	1	Pc.
6-10	3245-3113E-007	Push bar bottom part, anodised, black, complete	2	Pc.
6	3247-5554	Coupling binder	2	Pc.
7	1021-0625	Hexagon socket head cap screw M6x25	2	Pc.
8	3240-5553	Clamping ring	2	Pc.
9	3006-5511-007	Push bar bottom part	2	Pc.
	3245-3114-007	Push bar bottom part 10 cm longer, anodised, black	2	Pc.
10	1021-0820	Hexagon socket head cap screw M8x20	2	Pc.
11	3275-51SW-015	Cross tube	1	Pc.
12	1145-0001-015	Tube connector T-90° 25/25 with bore 4,2	2	Pc.
	1062-0412	Blind rivet F4x12	2	Pc.
13	1145-0002-015	Tube connector T-90° 25/25 4,2	2	Pc.
14	1049-0067	BILOC-nut VM8	2	Pc.
15-25	3275-5160	Handle bracket left, complete	1	Set
	3275-5180	Handle bracket right, complete	1	Set
	3240-5150	Handle bracket left, complete for CLEO-Ti	1	Set
	3240-5160	Handle bracket right, complete for CLEO-Ti	1	Set
15	3301-1240	Clamp bushing	2	Pc.
16	1129-0006	Saddle clamp with quick-release D 31,8 right	1	Pc.
17	1129-0007	Saddle clamp with quick-release D 31,8 left	1	Pc.
18	3275-5160-015	Handle bracket left	1	Pc.
	3240-5160-015	Handle bracket left, CLEO-Ti	1	Pc.
19	3275-5180-015	Handle bracket right	1	Pc.
	3240-5180-015	Handle bracket right, CLEO Ti	1	Pc.
20	1042-0006	Hexagon nut self-locking nutt M6	4	Pc.
21	1051-0006	Washer A6,4	4	Pc.
22	3301-1530	Flange bushing	2	Pc.
23	1024-0616	Hexagon socket countersunk head screw M6x16	4	Pc.
24	1134-0006	Snap button B 141 7,7x9,4	2	Pc.
25	1141-0009	Ribbed insert SFL 25x1-2,5	2	Pc.
	Pos. 10	Tighten screw with max. 15 nm.	2	Pc.

With CLEO-Ti position 11 3275-51SB-015 (Cross tube) is 2 seat width smaler.

Spare parts



Spare parts

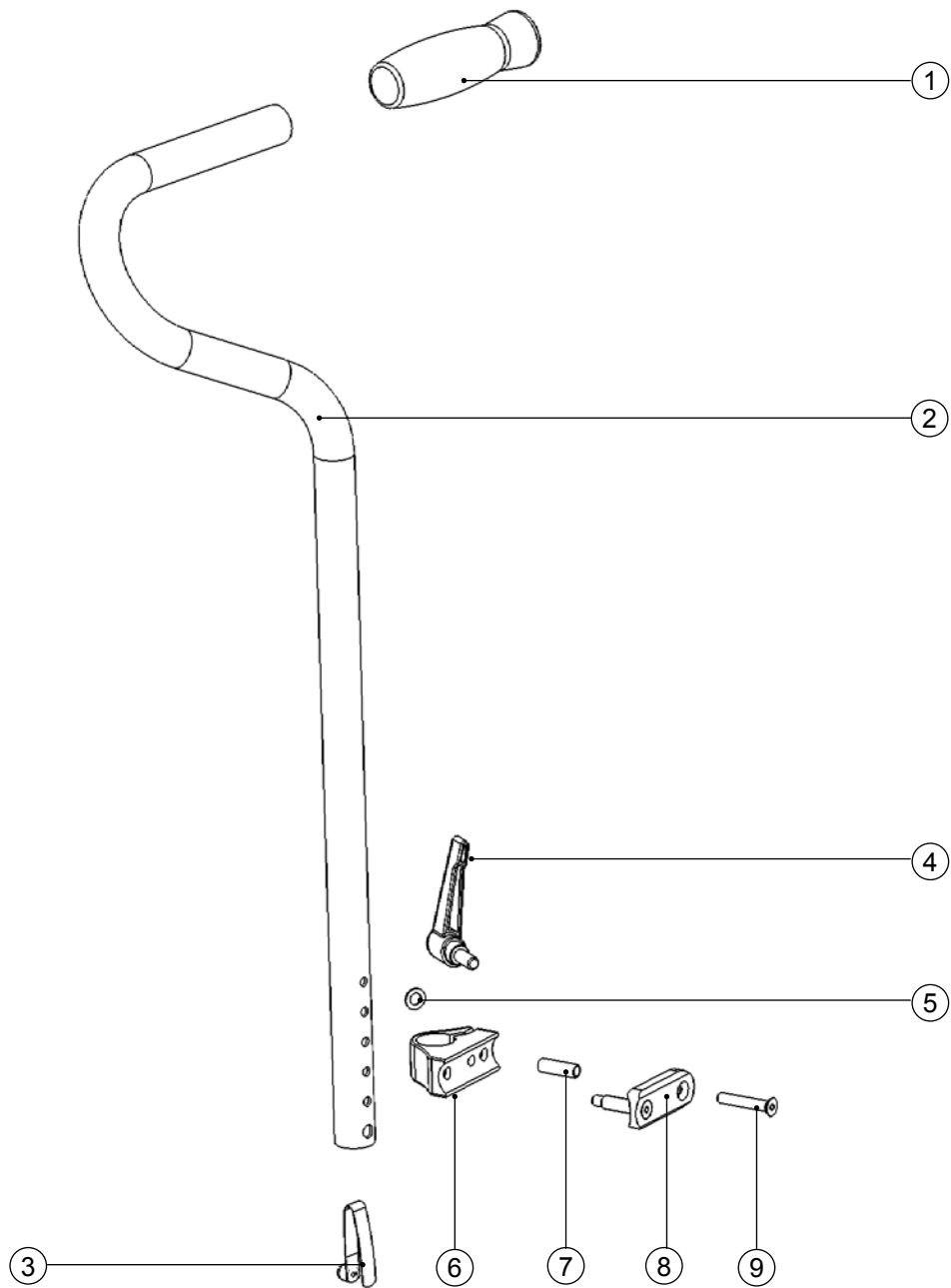
Pos	Article number	Articel description	Quantity
1-18	3275-53SW	Push handle complete	1 Set
	3278-53SW	Push handle CLEO-Ti, komplett	1 Set
1	1143-0005	Handle grip black d25 x 120	2 Pc.
2	3002-5231	Push handle tube	2 Pc.
3	1134-0006	Snap button B 141 7,7x9,4	2 Pc.
4	1141-0009	Ribbed insert SFL 25x1-2,5	2 Pc.
5	1021-0820	Hexagon socket head cap screw M8x20	2 Pc.
6	3275-51SW-015	Cross tube	1 Pc.
7	1145-0001-015	Tube connector T-90° 25/25 with bore 4,2, stuctural black	2 Pc.
8	1145-0002-015	Tube connector T-90° 25/25 4,2 structural black	2 Pc.
	1062-0412	Blind rivet F4x12	2 Pc.
9	1049-0067	BILOC-nut VM8	2 Pc.
10-18	3275-5160	Handle bracket left, complete	1 Set
	3275-5180	Handle bracket right, complete	1 Set
	3240-5150	Handle bracket left, complete for CLEO-Ti	1 Set
	3240-5160	Handle bracket right, complete for CLEO-Ti	1 Set
10	3301-1240	clamp bushing	2 Pc.
11	1129-0006	Saddle clamp with quick-release D 31,8 right	1 Pc.
12	1129-0007	Saddle clamp with quick-release D 31,8 left	1 Pc.
13	3275-5160-015	Handle bracket left	1 Pc.
	3240-5160-015	Handle bracket left, CLEO-Ti	1 Pc.
14	3275-5180-015	Handle bracket right	1 Pc.
	3240-5180-015	Handle bracket right, CLEO Ti	1 Pc.
15	1042-0006	Hexagon nut self-locking nutt M6	4 Pc.
16	1051-0006	Washer A6,4	4 Pc.
17	3301-1530	Flange bushing	2 Pc.
18	1024-0616	Hexagon socket countersunk head screw M6x16	4 Pc.

Pos. 5

Tighten screw with max. 15 nm.

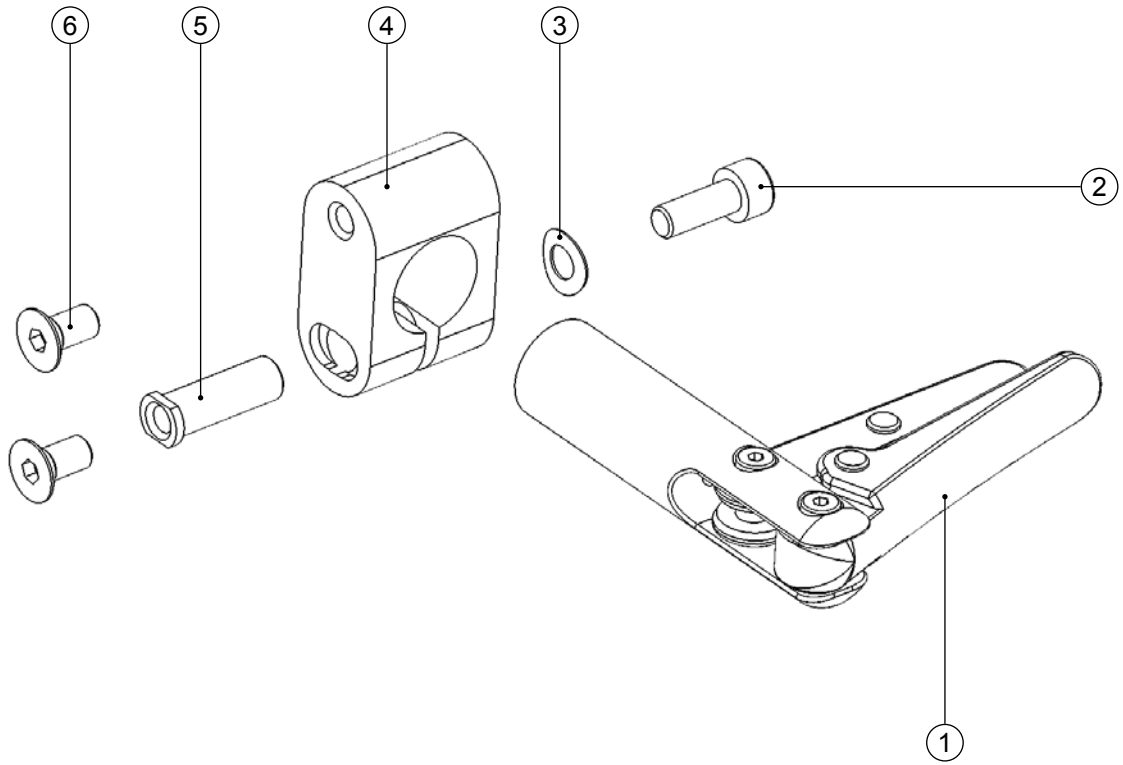
With CLEO-Ti position 11 3275-51SB-015 (Cross tube) is 2 seat width. smaler.

Spare parts



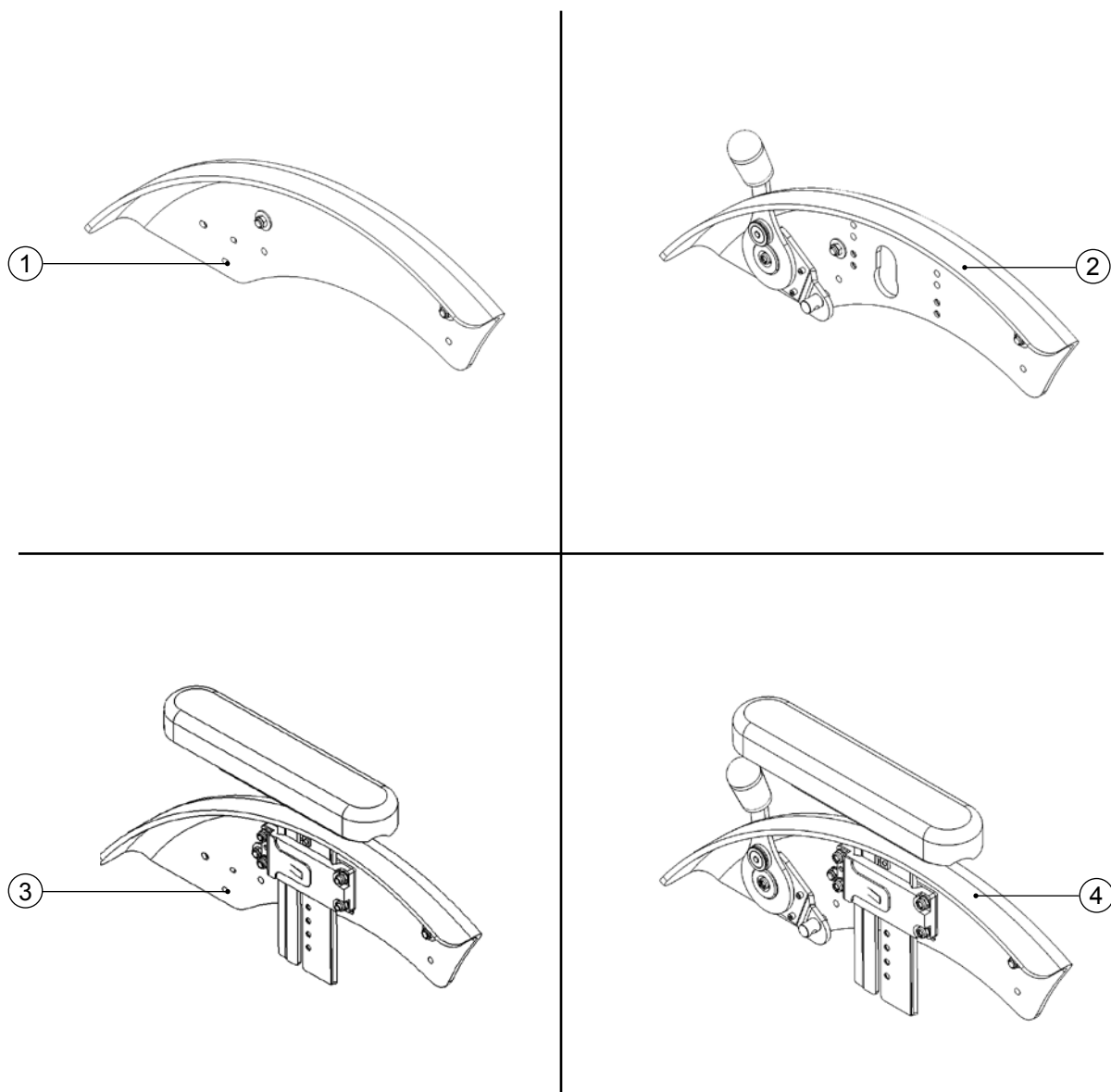
Pos	Article number	Articel description	Quantity	Unit
1-9	3275-5501	CLEO One-hand push bar with S-shaped handle	1	Set
1	1143-0005	Handle grip black d25 x 120	1	Pc.
2	3251-5561-006	Push bar S form	1	Pc.
3	1134-0006	Snap button	1	Pc.
4	1121-0820	Locking lever PA black M8x20	1	Pc.
5	1059-0011	Shim ring 8x14x1,2	1	Pc.
6	3275-5511-007	Clamping block, black anodised	1	Pc.
7	1114-0025	Bushing zp 8x0,8x27	2	Pc.
8	3275-5512-007	Doucine 25x42x6,2 black anodized	1	Pc.
9	1024-0640	Hexagon socket countersunk head screw M6x40	2	Pc.

Spare parts



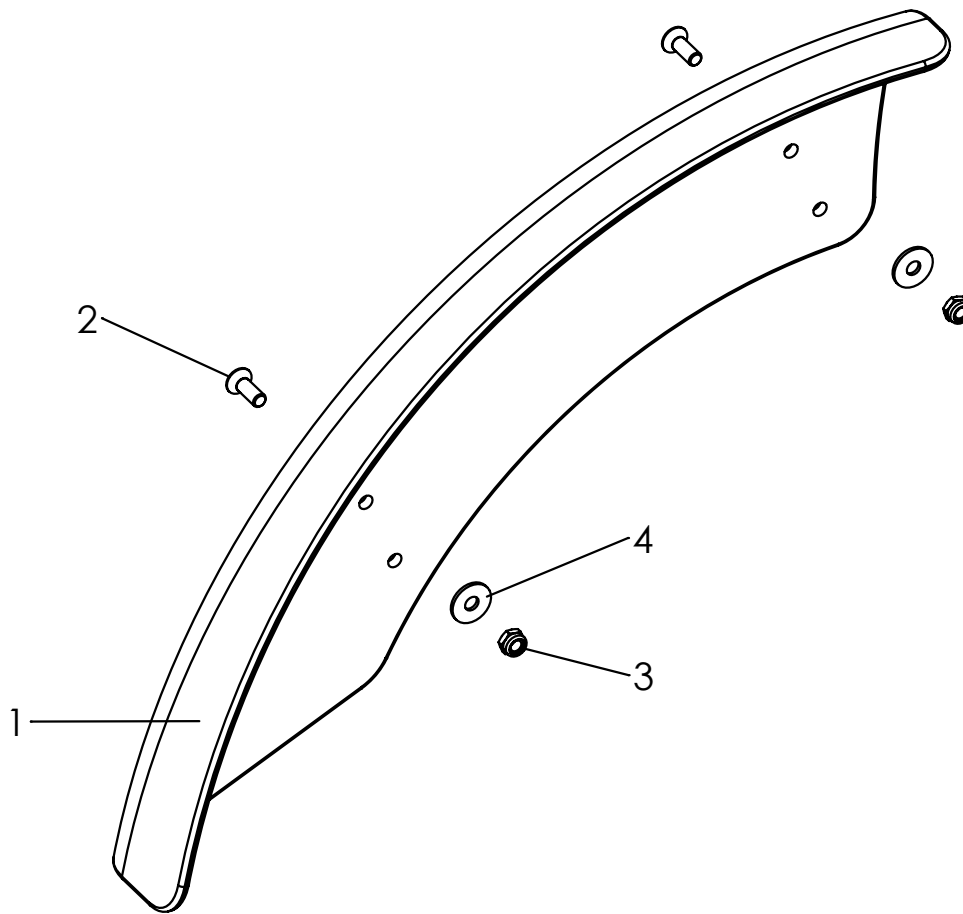
Pos	Article number	Articel description	Quantity	Unit
1-6	3275-1700E	HOGGI light break	1	Set
1	3275-1710	HOGGI light break, left	1	Set
	3275-1720	HOGGI light break, right	1	Set
2	1021-0614	Hexagon socket head cap screw M6x14	2	Pc.
3	1052-0006	Spring washer B6	2	Pc.
4	3275-1711-006	Brake lever holder	2	Pc.
5	3275-1731	Brake clamp Bearing	2	Pc.
6	1024-0612	Hexagon socket countersunk head screw M6x12	4	Pc.

Spare parts



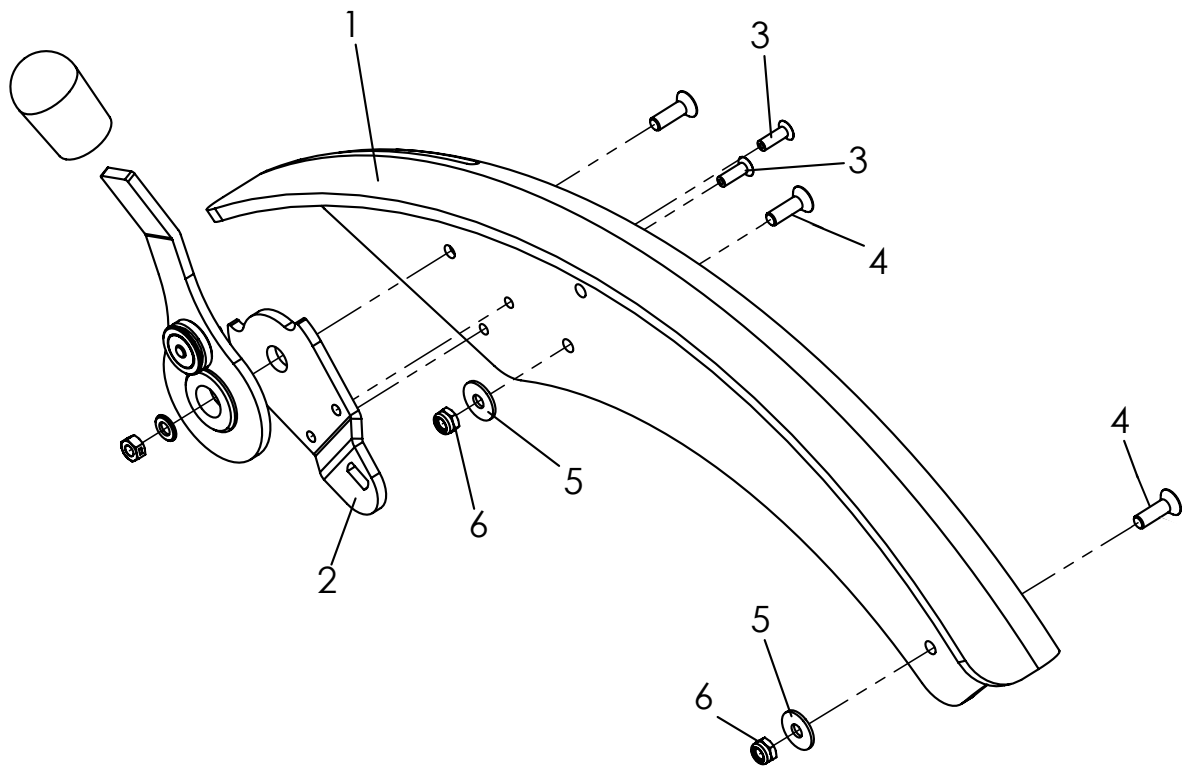
Pos	Article number	Articel description	Page
1	3275-160X	Wheel cover	22
2	3275-169X	Wheel cover with integrated break	23
3	3276-160X	Wheel cover arm rest	27
4	3276-169X	Wheel cover with integrated break and arm rest	30

Spare parts



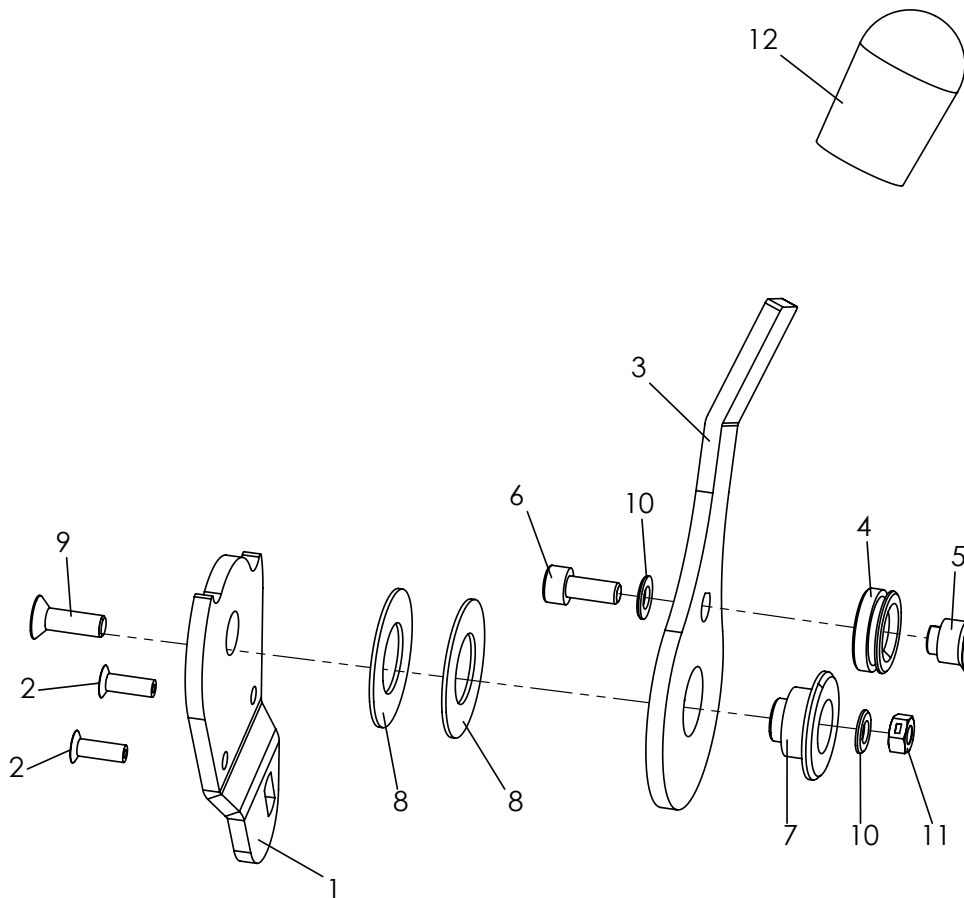
Pos	Article number	Article description	Quantity	Unit
1-4	3275-1600	Wheel guards 20"	1	Pair
	3275-1602	Wheel guards 22"	1	Pair
	3275-1603	wheel guards 22", wide for 3° camber	1	Pair
	3275-1604	Wheel guards 24"	1	Pair
	3275-1605	wheel guards 24", wide for 3° camber	1	Pair
	3248-1612	Wheel cover left 20"	1	Pc.
	3248-1622	Wheel cover right 20"	1	Pc.
	3248-1632	Wheel cover left 22"	1	Pc.
	3248-1634	wheel cover left 22", wide	1	Pc.
	3248-1642	Wheel cover right 22"	1	Pc.
	3248-1644	wheel cover right 22", wide	1	Pc.
	3248-1652	Wheel cover left 24"	1	Pc.
	3248-1654	wheel cover left 24", wide	1	Pc.
	3248-1662	Wheel cover right 24"	1	Pc.
	3248-1664	wheel cover right 24", wide	1	Pc.
2	1024-0514	Hexagon socket countersunk head screw M5x14	4	Pc.
3	1042-0005	Hexagon nut self-locking M5	4	Pc.
4	1055-0005	Washer A5,3	4	Pc.

Spare parts



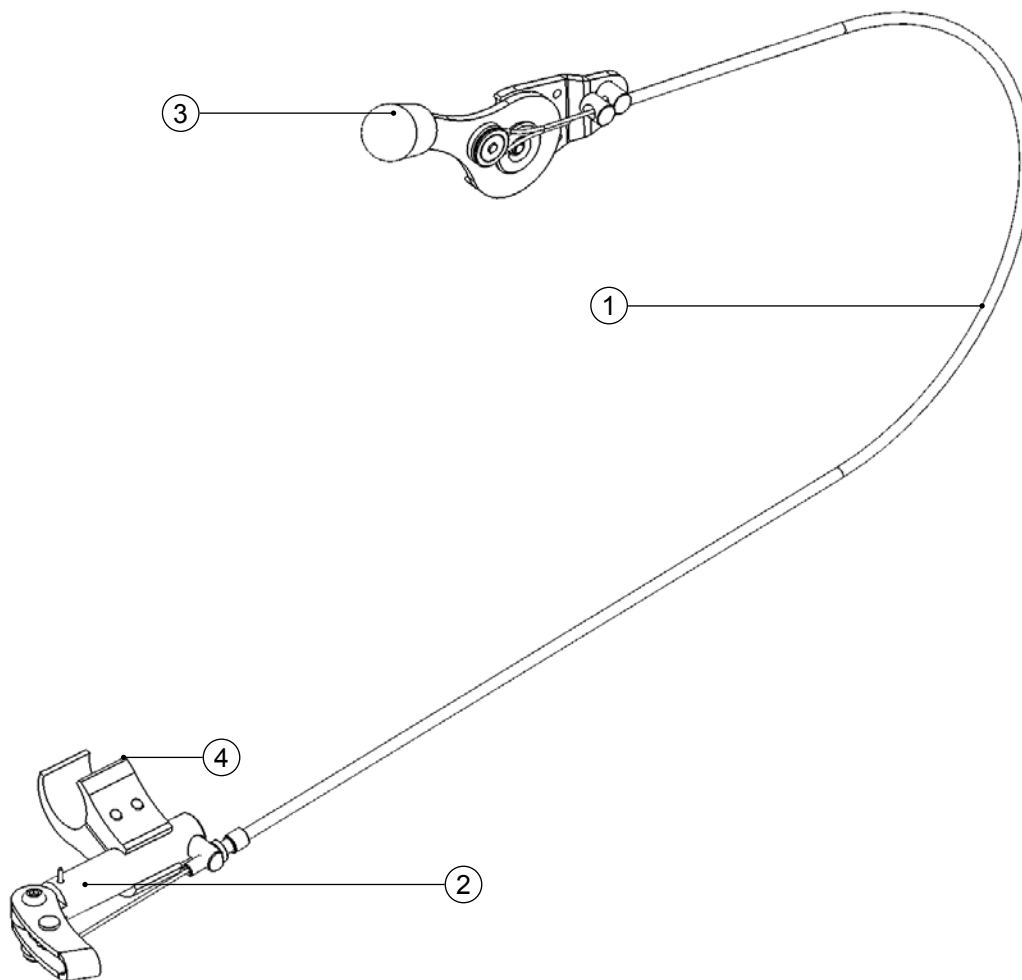
Pos	Article number	leArticle description	Quantity	Unit
1-6	3275-1690	Wheel guards for integrated break 20"	1	Pair
	3275-1692	Wheel guards for integrated break 22"	1	Pair
	3275-1693	Wheel guards 22" with integrated wheel lock levers, wide for 3° camber	1	Pair
	3275-1694	Wheel guards for integrated break 24"	1	Pair
	3275-1695	Wheel guards 24" with integrated wheel lock levers, wide for 3° camber	1	Pair
1-3	3248-1611E	Wheel cover for integrated 20" left	1	Pc.
	3248-1621E	Wheel cover for integrated 20" right	1	Pc.
	3248-1631E	Wheel cover for integrated 22" left	1	Pc.
	3248-1633E	Fender wide left 22"	1	Pc.
	3248-1641E	Wheel cover for integrated 22" right	1	Pc.
	3248-1643E	Fender wide right 22"	1	Pc.
	3248-1651E	Wheel cover for integrated 24" left	1	Pc.
	3248-1653E	Fender wide left 24"	1	Pc.
	3248-1661E	Wheel cover for integrated 24" right	1	Pc.
3248-1663E	Fender wide right 24"	1	Pc.	
4	1024-0514	Hexagon socket countersunk head screw M5x14	2	Pc.
5	1055-0005	Washer A5,3	2	Pc.
6	1042-0005	Hexagon nut self-locking M5	2	Pc.
	3240-1740E	Break lever left	2	Pc.
	3240-1750E	Break lever right	2	Pc.
	3240-1710E	Break left	2	Pc.
	3240-1720E	Break right	2	Pc.
	1209-0035	Break kable complete	2	Pc.
	3251-1730E	Clamp 30-19, black, with screws	2	Pc.

Spare parts



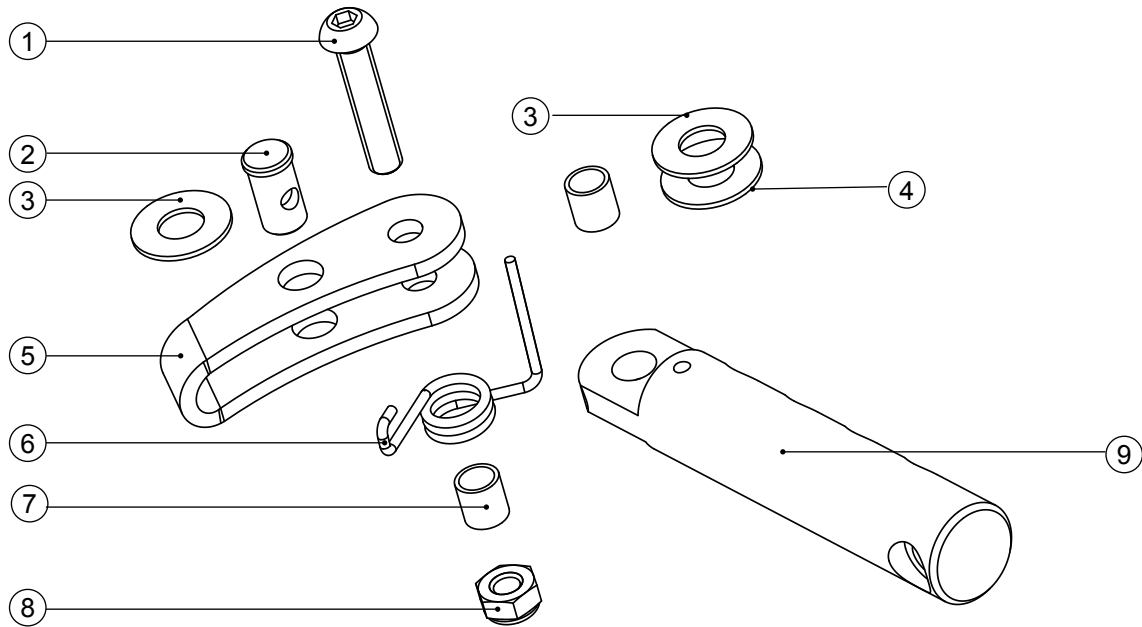
Pos	Article number	Articel description	Quantity	Unit
1-12	3240-1740E	Break lock lever, left, displayed	1	Pc.
	3240-1750E	Break lock lever, right	1	Pc.
1	3251-1741	Base plate brake lock lever, left	1	Pc.
	3251-1751	Base plate brake lock lever, right	1	Pc.
2	1063-0412	Blind rivet S4x12	2	Pc.
3	3240-1742-015	Brake lock lever, FS black	1	Pc.
4	3240-1747	Cable roll	1	Pc.
5	3240-1745	Cable support	1	Pc.
6	1021-0512	Cylinder head screw M5x12	1	Pc.
7	3240-1743	Lever bearing	1	Pc.
8	1113-0048	Washer PA natural 16,5x32x1	2	Pc.
9	1024-0516	Hexagon socket countersunk head screw M5x16	1	Pc.
10	1051-0005	Washer A5,3	2	Pc.
11	1049-0066	BILOC-nut M5	1	Pc.
12	1209-0014	Handle black	1	Pc.

Spare parts



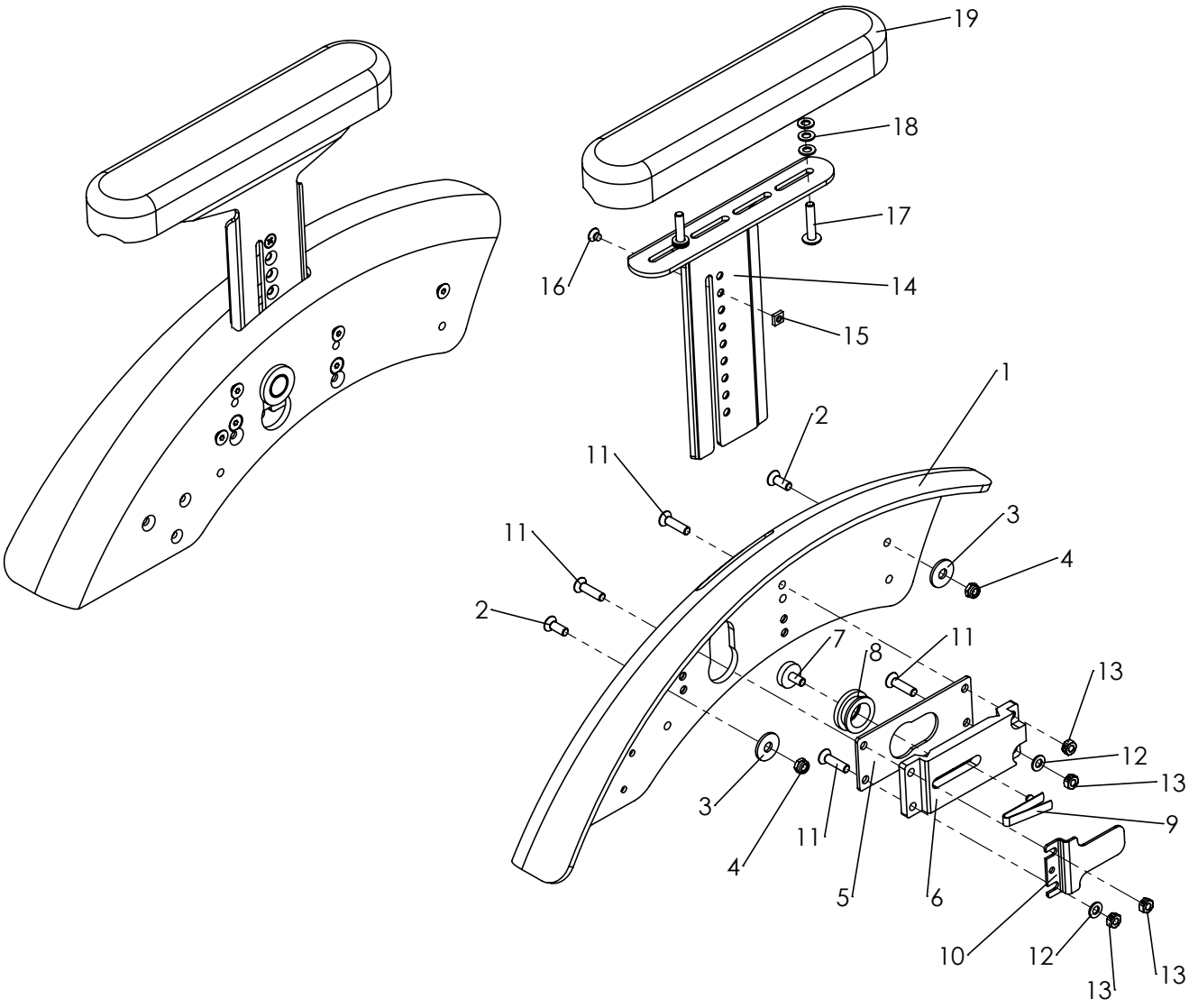
Pos	Article number	Articel description	Quantity	Unit
1	1209-0035	Break cable for Cleo	2	Pc.
2	3240-1710E	Break, left	1	Set.
	3240-1720E	Break, right	1	Set.
3	3240-1740E	Break lock lever, left	1	Set.
	3240-1750E	Break lock lever, right	1	Set.
4	3251-1730E	Clamp 30-19, black, with screws	2	Set.

Spare parts



Pos	Article number	Articel description	Quantity	Unit
1-8	3240-1710E	Break, left	1	Set
	3240-1720E	Break, right	1	Set
1	1029-0630	Button head socket screw M6x30	1	Pc.
2	1099-0014	Ball end cable holder 9/8x15,5 mm hole-4mm	1	Pc.
3	1113-0003	Washer PA 18x8,4x1 black	2	Pc.
4	1113-0035	Washer PA 18x18,4x2 black	1	Pc.
5	3240-1712	Break hanger	1	Pc.
6	3240-1761	Retaining spring, left	1	Pc.
	3240-1762	Retaining spring, right	1	Pc.
7	1114-0055	Bushing 8x0,8x8,7	2	Pc.
8	1042-0006	Hexagon nut self-locking zp DIN/ISO 985 M6	1	Pc.
9	3240-1711	Brake lever holder	1	Pc.

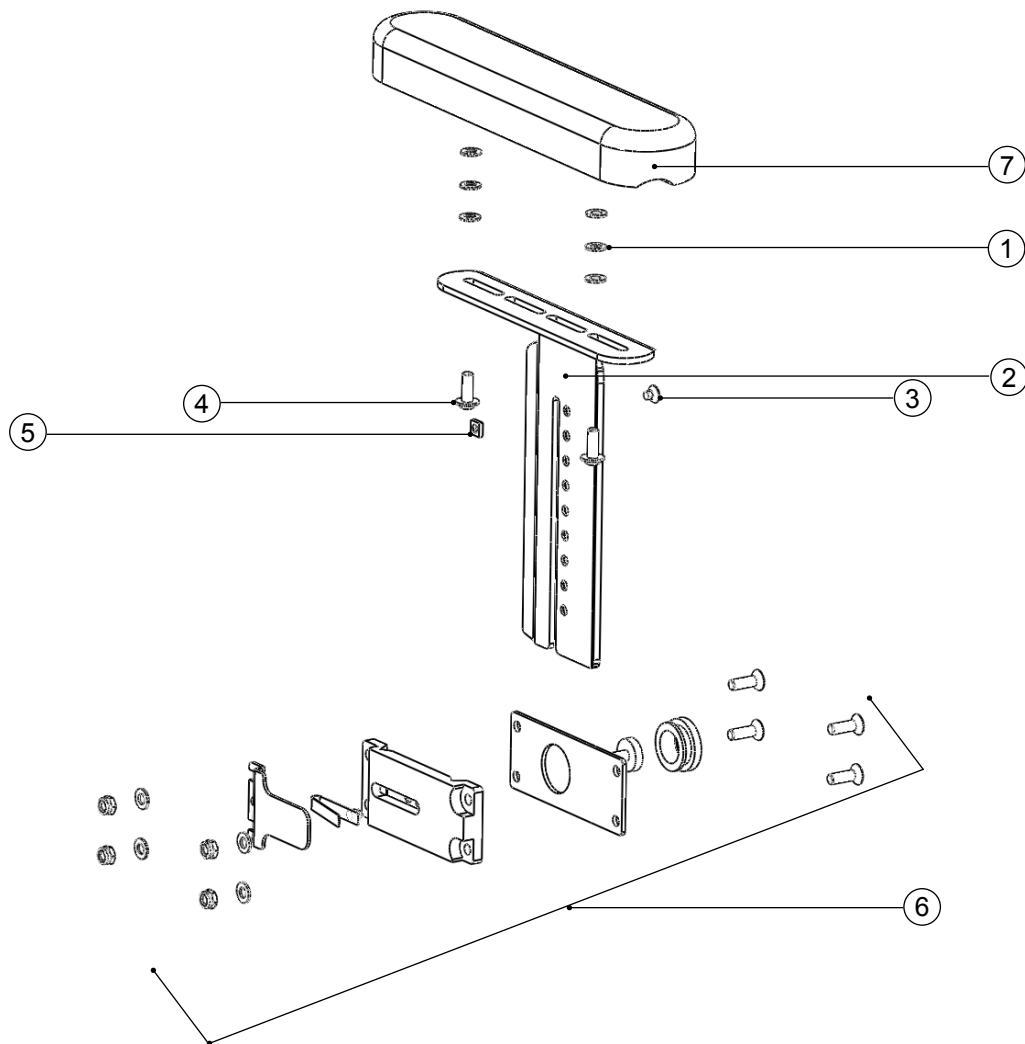
Spare parts



Spare parts

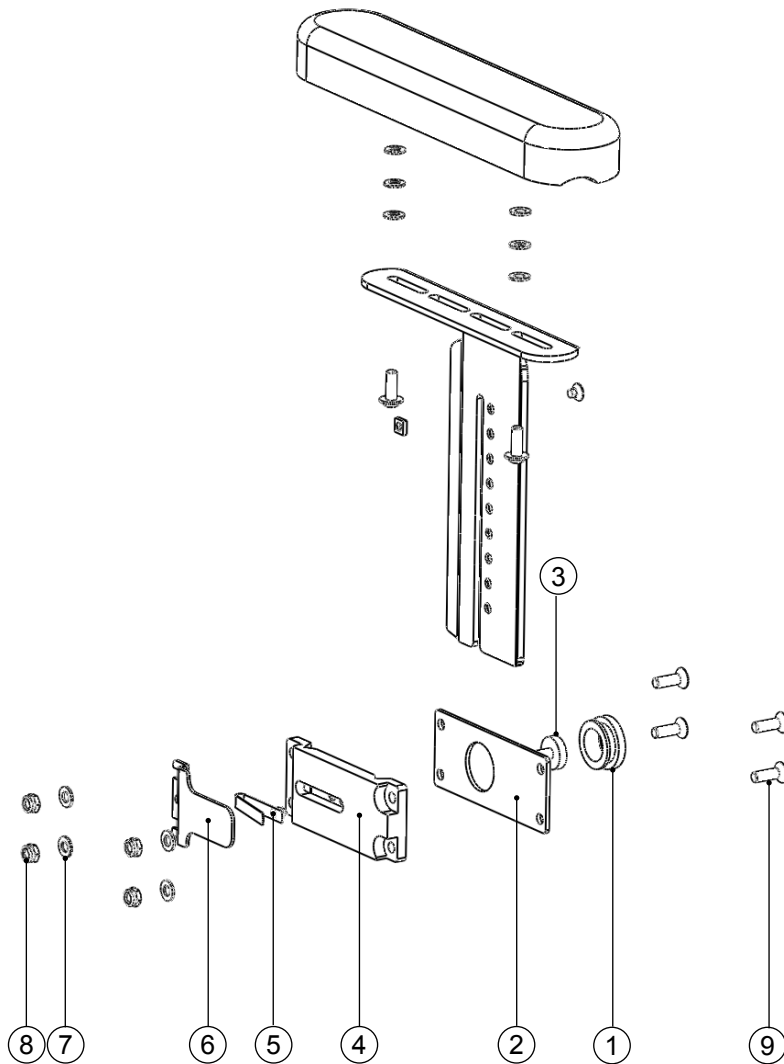
Pos	Article number	Articel description	Quantity	Unit
1-19	3276-1600	Wheel guards 20" with height adj. and detachable arm rests	1	Pc.
	3276-1602	Wheel guards 22" with height adj. and detachable arm rests	1	Pc.
	3276-1604	Wheel guards 24" with height adj. and detachable arm rests	1	Pc.
1	3275-1612	Wheel guards 20" left with height adj. and detachable arm rests	1	Pc.
	3275-1622	Wheel guards 20" right with height adj. and detachable arm rests	1	Pc.
	3275-1632	Wheel cover 22 "left for CLEO armrest	1	Pc.
	3275-1634	Wheel cover wide 22 " left for armrest	1	Pc.
	3275-1642	Wheel cover 22 " right for CLEO armrest	1	Pc.
	3275-1644	Wheel cover wide 22 " right for armrest	1	Pc.
	3275-1652	Wheel cover 24 "left for CLEO armrest	1	Pc.
	3275-1654	Wheel cover wide 24 " left for armrest	1	Pc.
	3275-1662	Wheel cover 24 " right for CLEO armrest	1	Pc.
	3275-1664	Wheel cover wide 24 " right for armrest	1	Pc.
2	1024-0514	Hexagon socket countersunk head screw M5x14	4	Pc.
3	1055-0006	Washer zp A6,4	4	Pc.
4	1042-0005	Hexagon nut self-locking M5	4	Pc.
5-18	3275-6201E	Armrest left complete, without armrest pads	1	Pc.
	3275-6202E	Armrest right complete, without armrest pads	1	Pc.
5	3261-6235	Intermediate plate	1	Pc.
6	3261-6231	Arm rest holder cover	1	Pc.
7	3261-6234	Button	1	Pc.
8	3275-6232	Guide bush	1	Pc.
9	1134-0005	Snap button A 102	1	Pc.
10	3261-6233	Spring cover	1	Pc.
11	1024-0520	Hexagon socket countersunk head screw M5x20	4	Pc.
12	1051-0005	Washer A5,3	2	Pc.
13	1049-0066	BILOC-nut M5	2	Pc.
5-13	3275-6230	Arm rest holder	2	Pc.
14-18	3275-6111E-015	Armrest carrier CLEO, left, black, with fasteners	1	Pc.
	3275-6112E-015	Armrest carrier CLEO, right, black, with fasteners	1	Pc.
14	3275-6111	Armrest carrier, left	1	Pc.
	3275-6112	Armrest carrier, right	1	Pc.
15	1049-0071	Square nut M4	1	Pc.
16	1023-0405	Countersunk flat head screw M4x5	1	Pc.
17	1024-0514	Button head socket screw with flange M5x14	2	Pc.
18	1051-0006	Washer A6,4	6	Pc.
19	7000-0024	Armrest pads PU 235mm	1	Pc.
	7000-0047	Armrest pads PU 270mm	1	Pc.

Spare parts



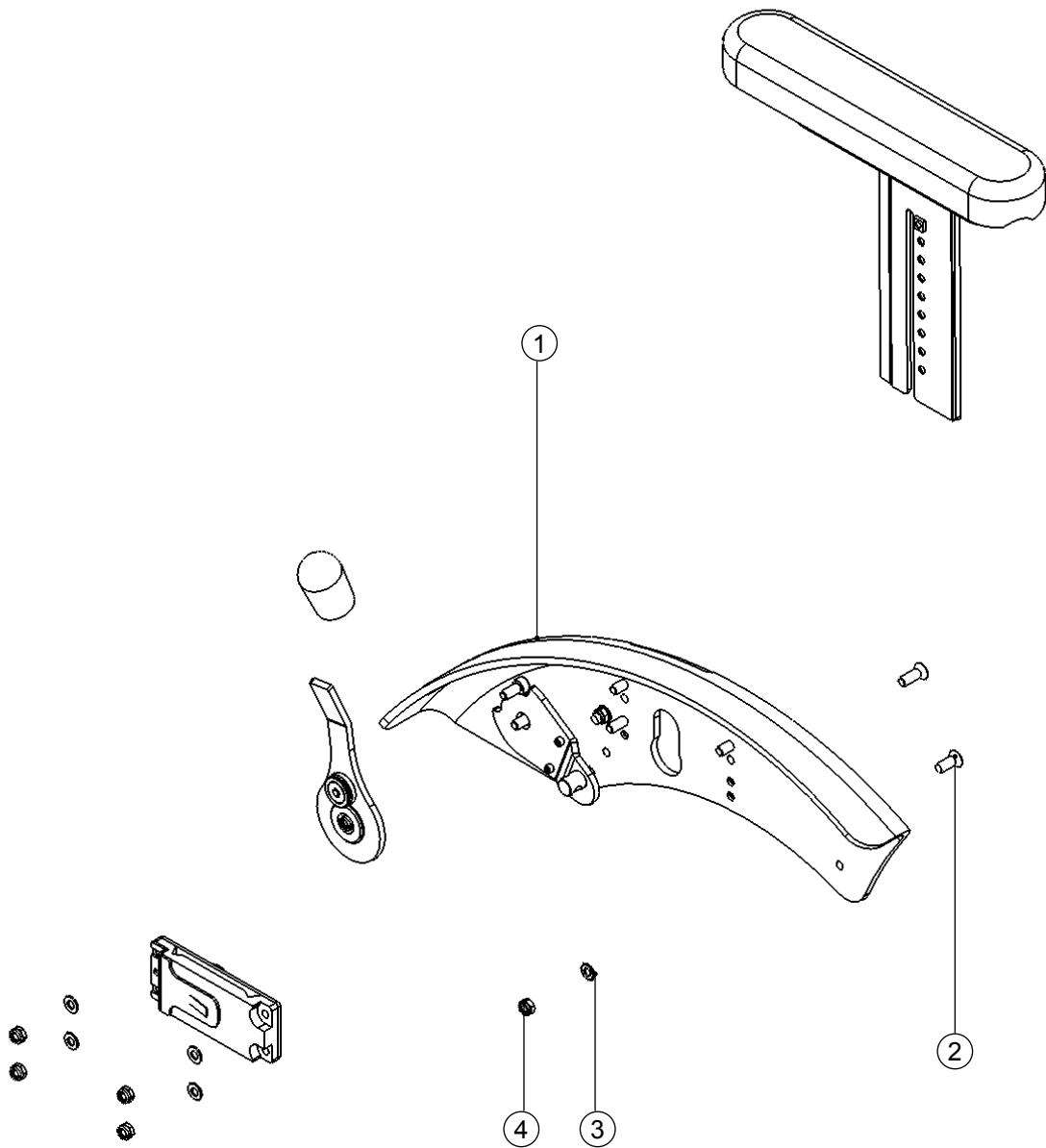
Pos	Article number	Articel description	Quantity	Unit
1-6	3275-6201E	Arm rest with out arm rest pad, left	1	Set
	3275-6202E	Arm rest with out arm rest pad, right	1	Set
1	1051-0005	Washer A5,3	6	Pc.
2	3261-6211	Armrest carrier, left	1	Pc.
	3261-6221	Armrest carrier, right	1	Pc.
3	1023-0405	Countersunk flat head screw M4x5	1	Pc.
4	1030-0514	Button head socket screw with flange M5x14	2	Pc.
5	1049-0071	Square nut DIN 562 - M4	1	Pc.
6	3275-6230E	Arm rest holder, complete	1	Pc.
7	7000-0051	Armrest pads 235 mm PU black	1	Pc.
	7000-0052	Armrest pads 270 mm PU black	1	Pc.

Spare parts



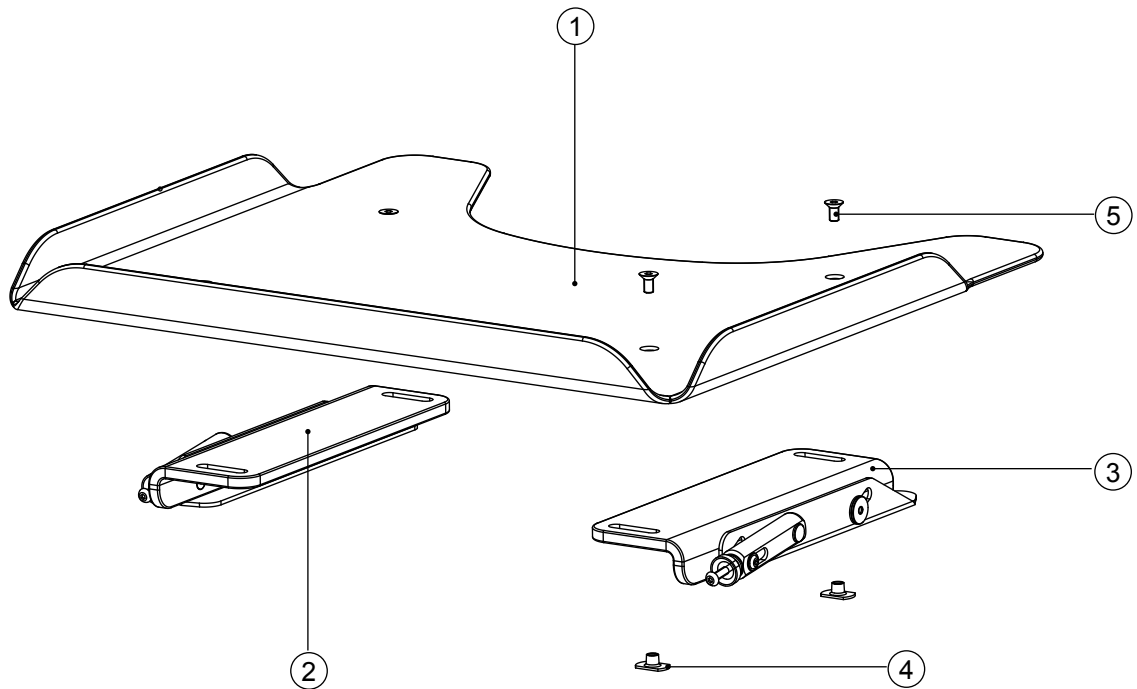
Pos	Article number	Articel description	Quantity	Unit
1-9	3275-6230E	Arm rest holder, complete	1	Set
1	3275-6232	Guide bush	1	Pc.
2	3261-6235	Intermediate plate	1	Pc.
3	3261-6234	Button	1	Pc.
4	3261-6231	Arm rest holder cover	1	Pc.
5	1134-0005	Snap button A 102	1	Pc.
6	3261-6233-007	Spring cover	1	Pc.
7	1051-0005	Washer A5,3	4	Pc.
8	1049-0066	BILOC-nut zp DIN 934-8 VM5	4	Pc.
9	1024-0520	Hexagon socket countersunk head screw M5x20	4	Pc.

Spare parts



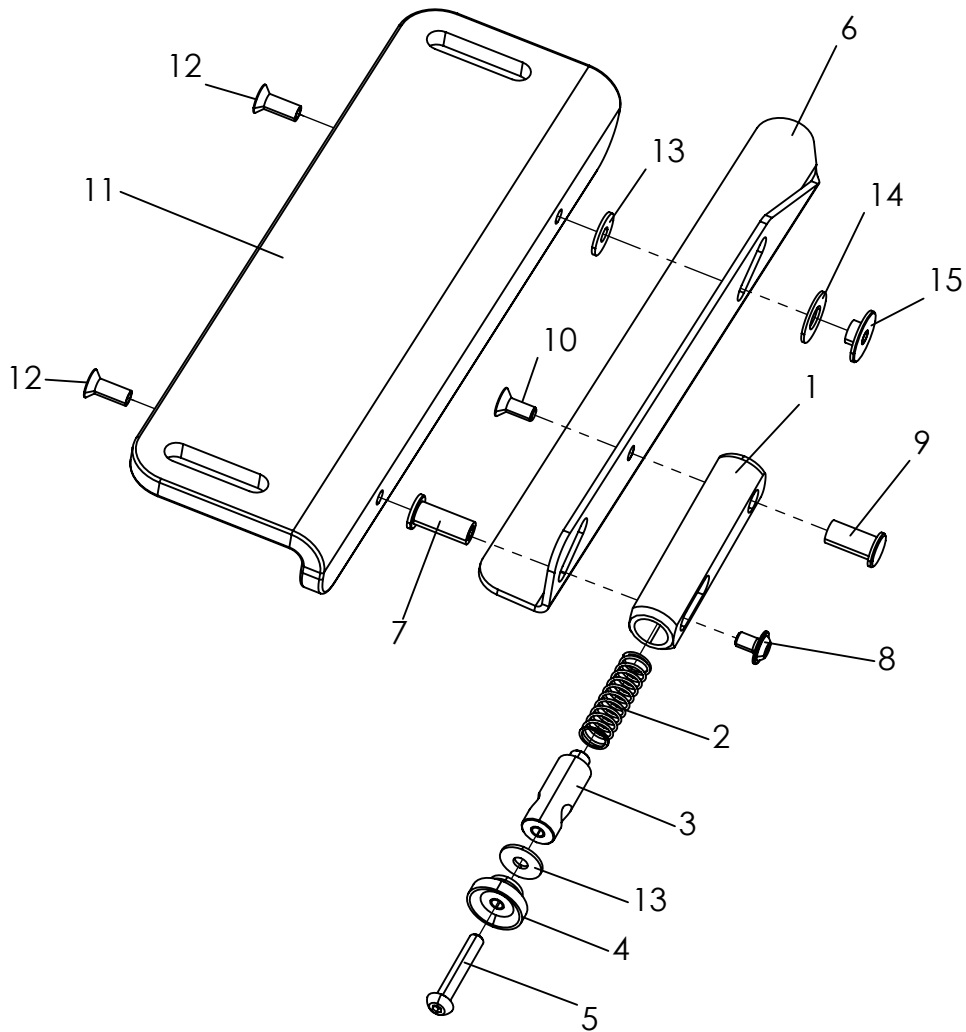
Pos	Article number	Articel description	Quantity	Unit
1	3275-1611E	Wheel cover for integrated break and arm rest left, 20"	1	Set
	3275-1621E	Wheel cover for integrated break and arm rest right, 20"	1	Set
	3275-1631E	Wheel cover for integrated break and arm rest left, 22"	1	Set
	3275-1641E	Wheel cover for integrated break and arm rest right, 22"	1	Set
	3275-1651E	Wheel cover for integrated break and arm rest left, 24"	1	Set
	3275-1661E	Wheel cover for integrated break and arm rest right, 24"	1	Set
2	1024-0514	Hexagon socket countersunk head screw M5x14	4	Pc.
3	1055-0005	Washer A5,4	4	Pc.
4	1042-0005	Hexagon nut self-locking M5	4	Pc.

Spare parts



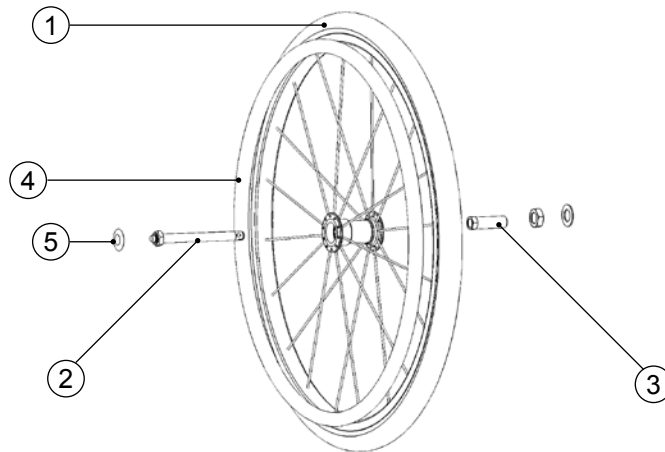
Pos	Article number	Articel description	Quantity	Unit
1-5	3240-8202	Table board size 2, SW 24-28	1	Pc.
	8240-8203	Table board size. 3, SW 28-30	1	Pc.
	8240-8204	Table board size 4, SW 32-36	1	Pc.
1	3240-8292	Table board	1	Pc.
	3240-8293	Table board	1	Pc.
	3240-8294	Table board	1	Pc.
2	3240-8220E	Clamping unit, right	1	Pc.
3	3240-8210E	Clamping unit, left	1	Pc.
4	1049-0052	T-nut L-M6x8,5	4	Pc.
5	1024-0612	Hexagon socket countersunk head screw M6x12	4	Pc.

Spare parts



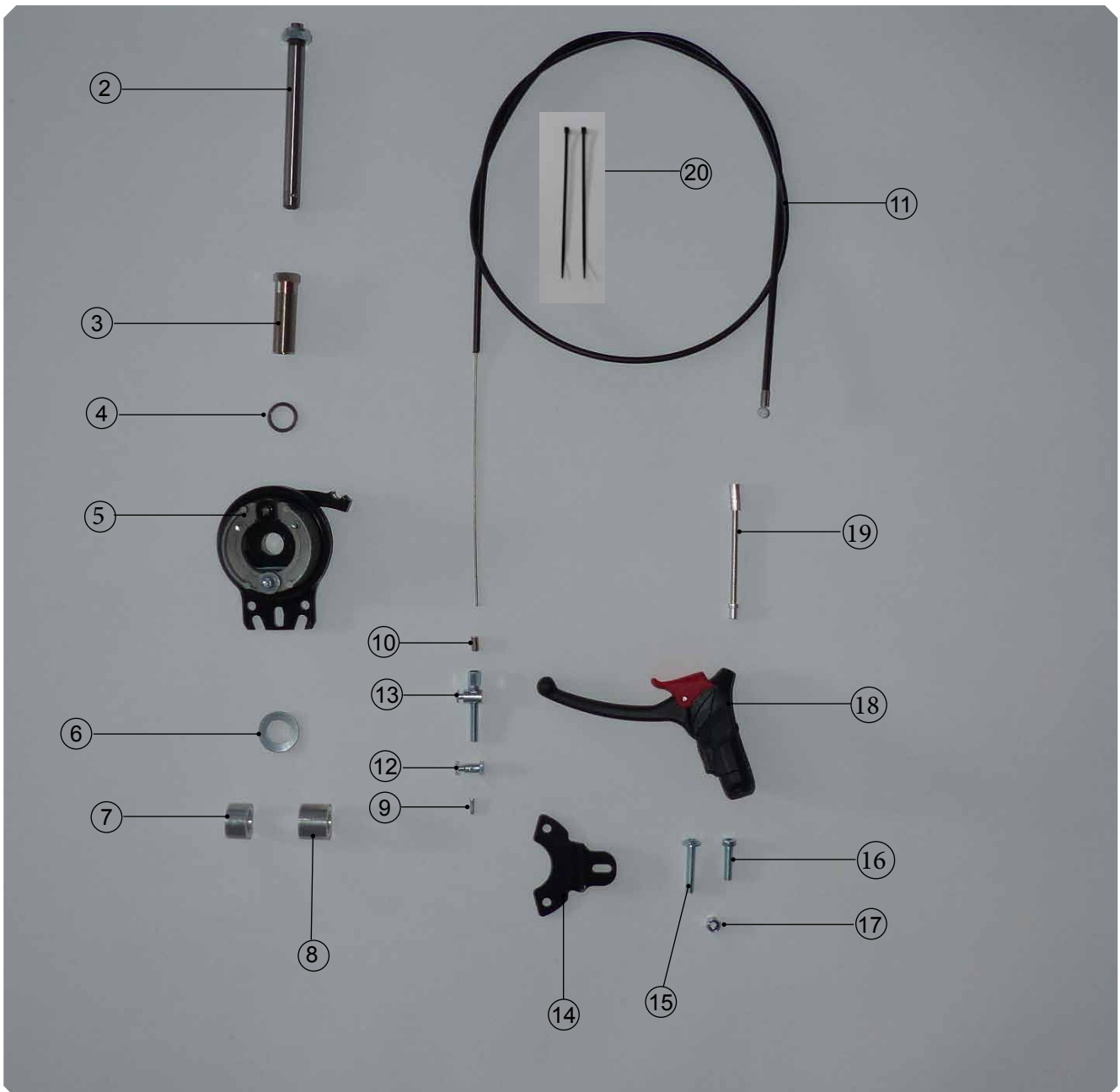
Pos	Article number	Articel description	Quantity	Unit
1-14	3240-8210E	Clamping unit, left	1	Pc.
	3240-8220E	Clamping unit, right	1	Pc.
1	3240-8214	Spring housing	1	Pc.
2	1131-0043	Compression spring D-143F	1	Pc.
3	3240-8215	Spring guide	1	Pc.
4	1124-0500	Knurled nut PA black M5	1	Pc.
4	1124-0500	Knurled nut PA black M5	1	Pc.
5	1029-0530	button head socket screw M5x30	1	Pc.
6	3240-8212-015	Terminal strip, left	1	Pc.
	3240-8222-015	Terminal strip, right	1	Pc.
7	3240-8217	Bearing bush	1	Pc.
8	1030-0508	Button head socket screw with flange M5x8	1	Pc.
9	3240-8216	Bearing bush	1	Pc.
10	1024-0512	Hexagon socket countersunk head screw M5x12	1	Pc.
11	3240-8211	Adjusting bracket	1	Pc.
12	1024-0514	Hexagon socket countersunk head screw M5x14	2	Pc.
13	1055-0005	Washer A5,3	2	Pc.
14	1113-0003	Washer PA 18x8,4x1 black	1	Pc.
15	3240-8218	Bearing bush	1	Pc.

Spare parts



Pos	Article number	Articel description	Quantity	Unit	
1	1211-0007	Pneumatic wheel 20"x1 HOGGI light w/o push rims	2	Pc.	
	1211-0008	Pneumatic wheel 22"x1 Hoggi light w/o push rims	2	Pc.	
	1211-0009	Pneumatic wheel 24"x1 Hoggi light w/o push rims	2	Pc.	
	1221-0009	Rear wheels with PU-tires 20"x1 3/8 HOGGI light w/o push rims	2	Pc.	
	1221-0010	Rear wheels with PU-tires 22"x1 HOGGI light w/o push rims	2	Pc.	
	1221-0011	Rear wheels with PU-tires 24"x1 HOGGI light w/o push rims	2	Pc.	
	1211-0011	Pneumatic wheel 20x1" HOGGI EXTRA LIGHT w/push rims black	2	Pc.	
	1211-0012	Pneumatic wheel 22x1" HOGGI EXTRA LIGHT w/push rims black	2	Pc.	
	1211-0013	Pneumatic wheel 24x1" HOGGI EXTRA LIGHT w/push rims black	2	Pc.	
	2	1205-0014	Quick release axle 12 x 98 mm for HOGGI light	2	Pc.
		1205-0046	Quick release axle 12 x 98 mm, for HOGGI EXTRA light	2	Pc.
	3	1205-0010	Adapter with nut M16x1 for quick-release-axle 12/45 mm, for HOGGI light	2	Pc.
		1205-0011	Adapter M16x1 for quick-release-axle 12/50 mm, for HOIGGI EXTRAS light	2	Pc.
4	1204-0006	Aluminum hand rim 20", anodised - „standard“	2	Pc.	
	1204-0007	Aluminum hand rim 22", anodised - „standard“	2	Pc.	
	1204-0008	Aluminum hand rim 24", anodised - „standard“	2	Pc.	
	1204-0019	Aluminum hand rim 20", anodised - „high“	2	Pc.	
	1204-0020	Aluminum hand rim 22", anodised - „high“	2	Pc.	
	1204-0021	Aluminum hand rim 24", anodised - „high“	2	Pc.	
	1204-0009	stainless steel hand rim 20" - "standard"	2	Pc.	
	1204-0010	Stainless steel hand rim 22" - „standard“	2	Pc.	
	1204-0011	Stainless steel hand rim 24" - „standard“	2	Pc.	
	1204-0022	Stainless steel hand rim 20" - „high“	2	Pc.	
	1204-0023	Stainless steel hand rim 22" - „high“	2	Pc.	
	1204-0024	Stainless steel hand rim 24" - „high“	2	Pc.	
	5	1205-0021	Quick release axle 12 x 104 mm button black	2	Pc.
1205-0046		Quick release axle 12 x 98 mm VA with black cap	2	Pc.	
o. Abb.	1201-0003	Tube for wheel 20x1	1	Pc.	
	1201-0004	Tube for wheel 22x1	1	Pc.	
	1201-0005	Tube for wheel 24x1	1	Pc.	
	1201-0006	Rim band 20"	1	Pc.	
	1201-0007	Rim band 22"	1	Pc.	
	1201-0008	Rim band 24"	1	Pc.	
	1200-0003	Tire for wheel 20x1" grey	1	Pc.	
	1200-0006	Tire for wheel 22x1" RightRun HS387 Light	1	Pc.	
	1200-0007	Tire for wheel 24x1" RightRun HS387 Light	1	Pc.	
	1203-0005	PU-tire 20x1 3/8" grey	1	Pc.	
	1203-0006	PU-tire 22x1" grey	1	Pc.	
	1203-0007	PU-tire 24x1" grey	1	Pc.	

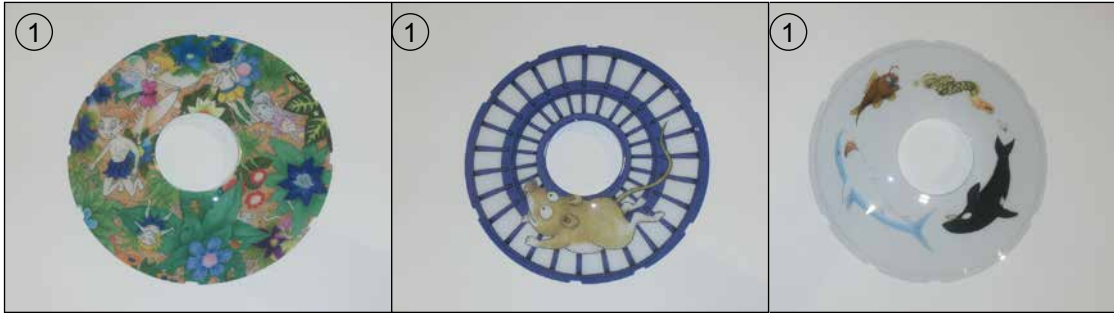
Spare parts



Spare parts

Pos	Article number	Articel description	Quantity	Unit
1-5	1219-0013	Pneumatic wheel 20"x1 „HOGGI light“ with drumbrake, left, w/o push rims	1	PC.
	1219-0014	Pneumatic wheel 20"x1 „HOGGI light“ with drumbrake, right w/o push rim	1	PC.
	1219-0015	Pneumatic wheel 22"x1 „HOGGI light“ with drumbrake, left, w/o push rim	1	PC.
	1219-0016	Pneumatic wheel 22"x1 „HOGGI light“ with drumbrake, right, w/o push rim	1	PC.
	1219-0017	Pneumatic wheel 24"x1 „HOGGI light“ with drumbrake, left, w/o push rim	1	PC.
	1219-0018	Pneumatic wheel 24"x1 „HOGGI light“ with drumbrake, right w/o push rim	1	PC.
	1221-0003	PU-wheel 20"x1 3/8 „HOGGI light“ with drum brake, left, w/o push rim	1	PC.
	1221-0004	PU-wheel 20"x1 3/8 „HOGGI light“ with drum brake, right, w/o push rim	1	PC.
	1221-0005	PU-wheel 22"x1 3/8 „HOGGI light“ with drum brake, left, w/o push rim	1	PC.
	1221-0006	PU-wheel 22"x1 3/8 „HOGGI light“ with drum brake, right, w/o push rim	1	PC.
	1221-0007	PU wheels 24" with drum brakes, left, w/o push rims	1	PC.
	1221-0008	PU wheels 24" with drum brakes, right, w/o push rims	1	PC.
2	1205-0022	Quick release axle 12 x 108 mm stainless steel	1	PC.
3	1205-0051	Adapter M16x1 for quick-release-axle 12/57 mm	2	PC.
4	1059-0002	Shim ring 16x22x1,5	2	PC.
5	1205-0031	Brake plate left with 16 mm hole for RAC and Hoggi light wheels	2	PC.
	1205-0032	Brake plate right with 16 mm hole for Hoggi light wheels	1	PC.
6	1052-0016	Spring washer B16	2	PC.
7	1205-0015	Spacer bushing 25x16.2x15, for 3 and 6°	2	PC.
8	1205-0016	Spacer bushing 25x16.2x20, for 9°	2	PC.
9-11	1209-0001	Bowden wire set 1,5m cable	2	PC.
12	1205-0029	Pinch bolt d8x15 mm, without slot	2	PC.
13	1205-0030	Brake adjuster M6x30 mm	2	PC.
14	1205-0048	Brake anchor support plate	2	PC.
15	1029-0635	Button head socket screw M6x35, for 9°	2	PC.
16	1022-0625	Hexagon socket head cap screw M6x25, for 3 and 6°	2	PC.
17	1042-0006	Hexagon nut self-locking M6	2	PC.
18	1209-0026	Brake lever 36° manually locking 25 mm (for push-handle)	2	PC.
	1209-0030	Brake lever 36 ° manually locking 22 mm (for push bar)	2	PC.
19	1205-0055	Bowden cable guide, angle 90°	2	PC.
20	1089-0004	Cable tie, black, 5x180	4	PC.

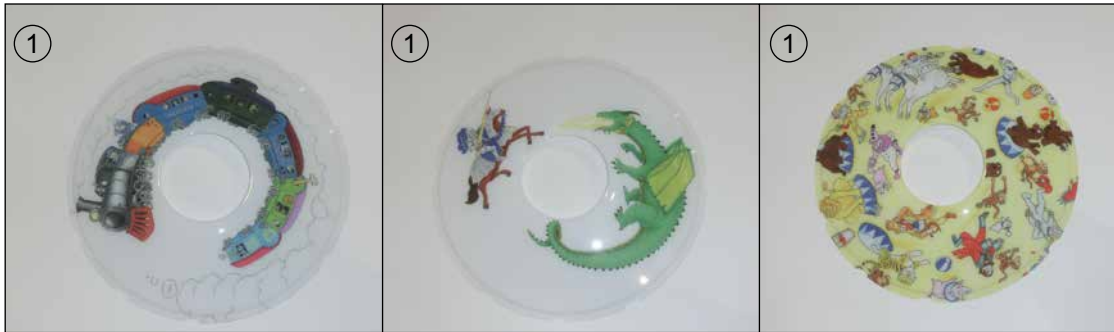
Spare parts



Elfenland - Designcode: 202

Maus - Designcode: 203

Wasserwelt - Designcode: 204

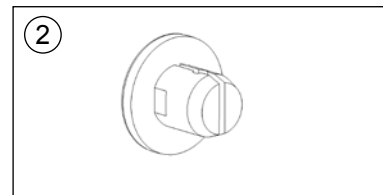


Zug - Designcode: 205

Drachen - Designcode: 206

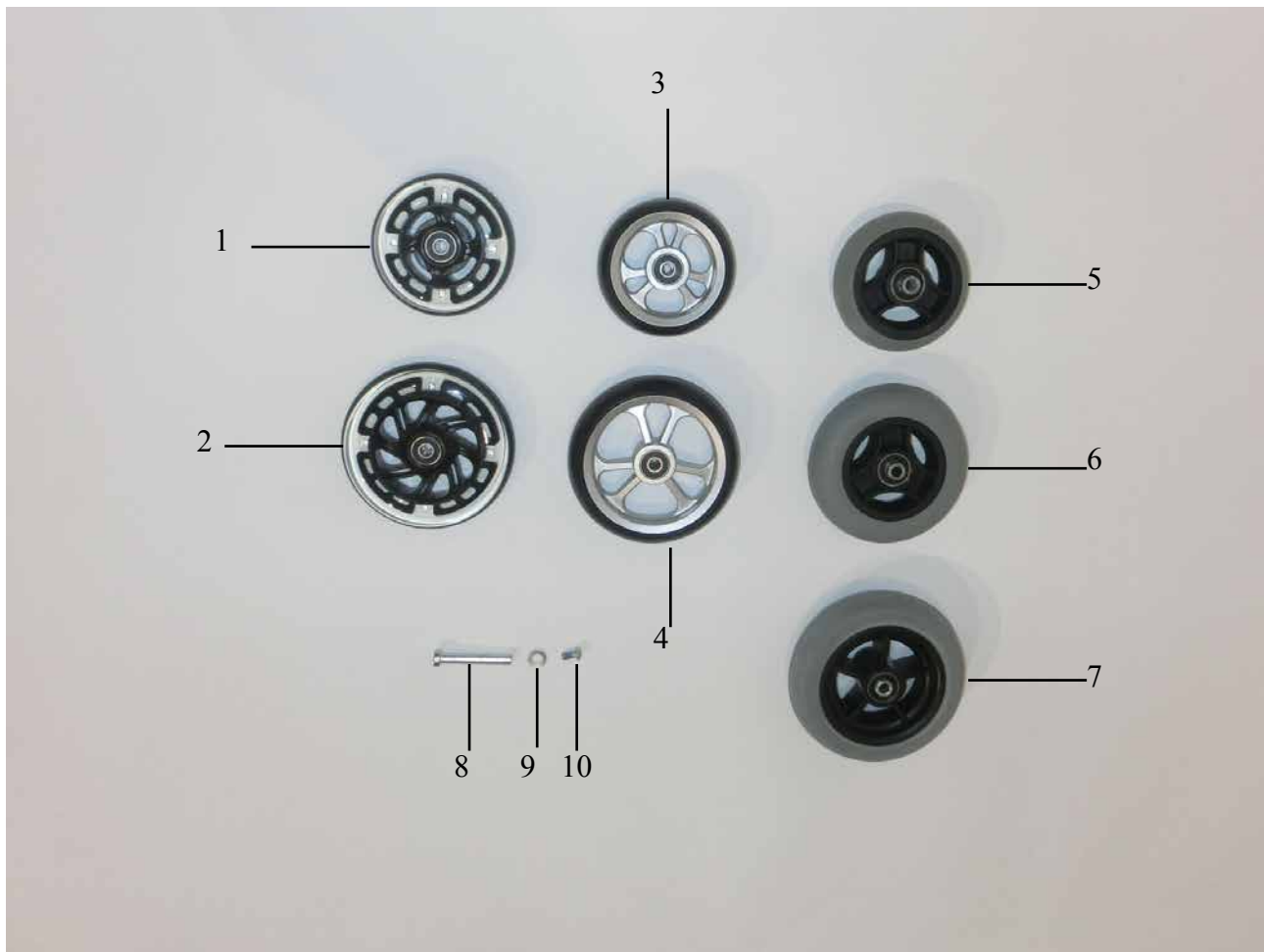
Zirkus - Designcode: 207

XXX= Must be replaced with code No.



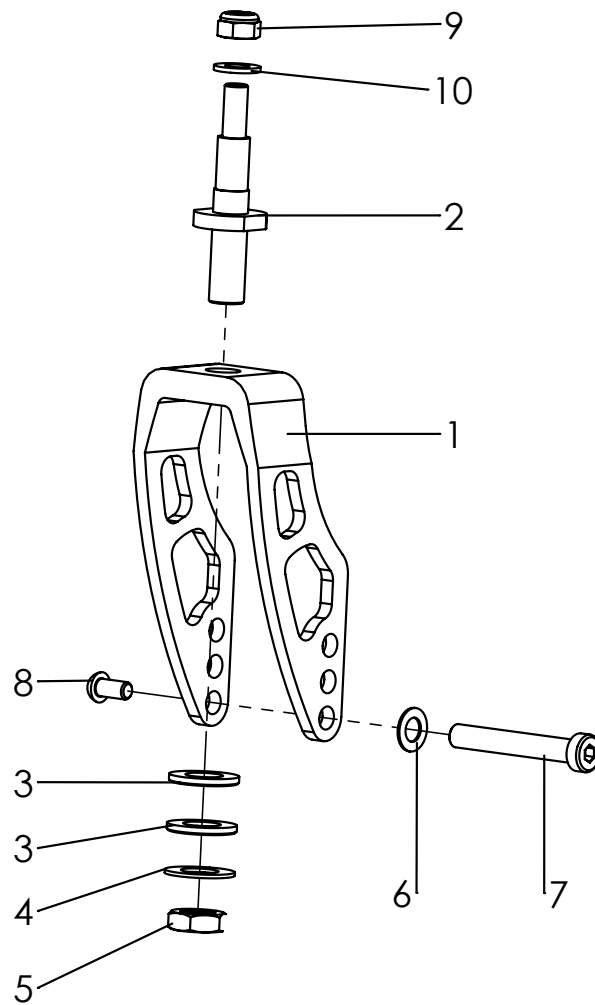
Pos	Article number	Articel description	Quantity	Unit	
1-2	1204-1012	Spoke guard 20", transparent	1	Set	
	1204-1013	Spoke guard 22", transparent	1	Set	
	1204-1014	Spoke guard 24", transparent	1	Set	
	1204-1020	Spoke guard for drum break 20", transparent	1	Set	
	1204-1018	Spoke guard for drum break 22", transparent	1	Set	
	1204-1019	Spoke guard for drum break 24", transparent	1	Set	
	1204-1013-XXX	Spoke guard 22", with motif	1	Set	
	1204-1014-XXX	Spoke guard 24", with motif	1	Set	
	1204-1018-XXX	Spoke guard for drum break 22", with motif	1	Set	
	1204-1019-XXX	Spoke guard for drum break 24", with motif	1	Set	
	1	1204-0012	Spoke guard 20", transparent	1	Pc.
		1204-0031	Spoke guard 22", transparent	1	Pc.
		1204-0032	Spoke guard 24", transparent	1	Pc.
1204-1033		Spoke guard for drum break 22", transparent	1	Pc.	
1204-1034		Spoke guard for drum break 24", transparent	1	Pc.	
1204-1031-XXX		Spoke guard 22", with motif	1	Pc.	
1204-1032-XXX		Spoke guard 24", with motif	1	Pc.	
1204-1033-XXX		Spoke guard for drum break 22", with motif	1	Pc.	
1204-1034-XXX		Spoke guard for drum break 24", with motif	1	Pc.	
2		1205-0033	Fastening clips for Spoke guard transparent	6	Pc.

Spare parts



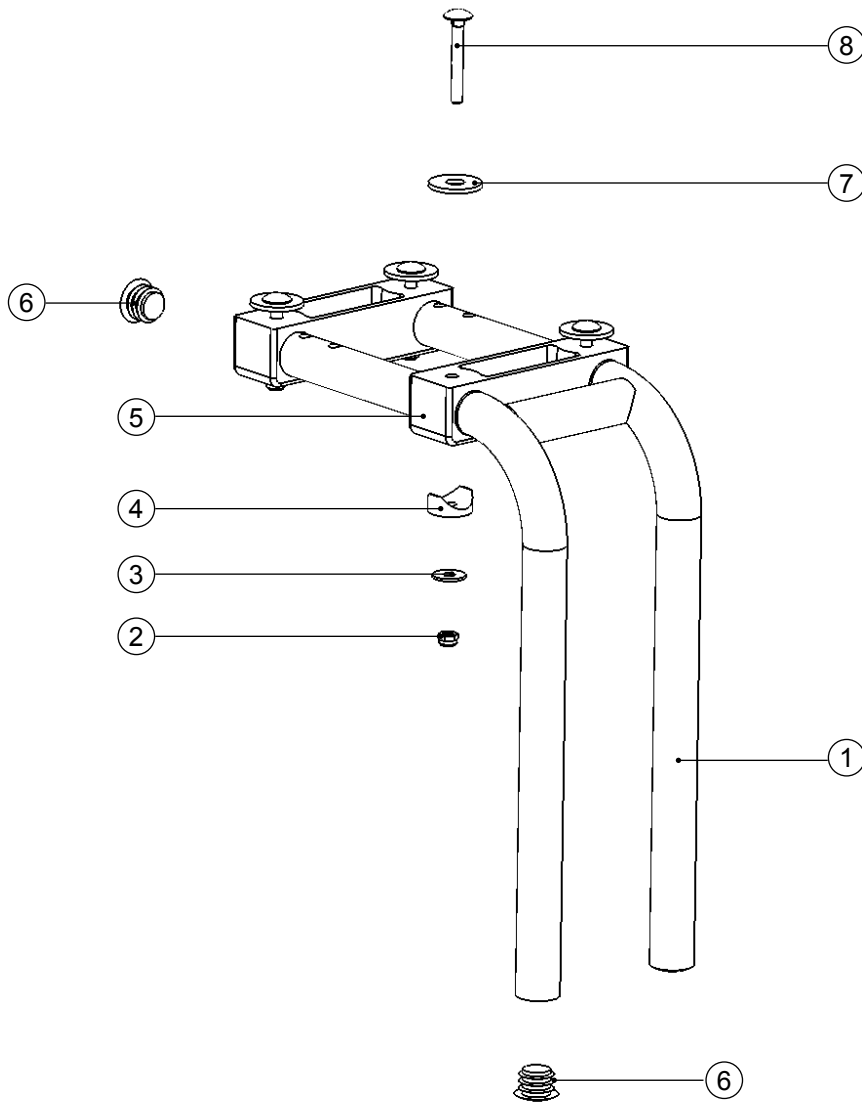
Pos	Article number	Articel description	Quantity	Unit
1	1249-0005	Skater wheels with illuminating diode 100x24 (max. 5 Nm)	2	Pc.
2	1249-0006	Skater wheel with illuminating diode 125x24 (max. 5 Nm)	2	Pc.
3	1221-0024	PU-front castor with design plastic rim 100x34	2	Pc.
4	1221-0025	PU-front castor with design plastic rim 125x34	2	Pc.
5	1250-0002	Front castor with solid rubber tires 100x32	2	Pc.
6	1250-0003	Front castor with solid rubber tires 125x32	2	Pc.
7	1250-1440	Front castor with solid rubber tires 140x40	2	Pc.
8	1205-0009	Wheel axle L54	2	Pc.
9	1052-0008	Spring washer B8 zp DIN/ISO 137 B8	2	Pc.
10	1029-6001	Button head socket screw, Tufflock M6x12	2	Pc.
	1205-0047	Spacer for Skater wheels and design plastic rim	2	Pc.

Spare parts



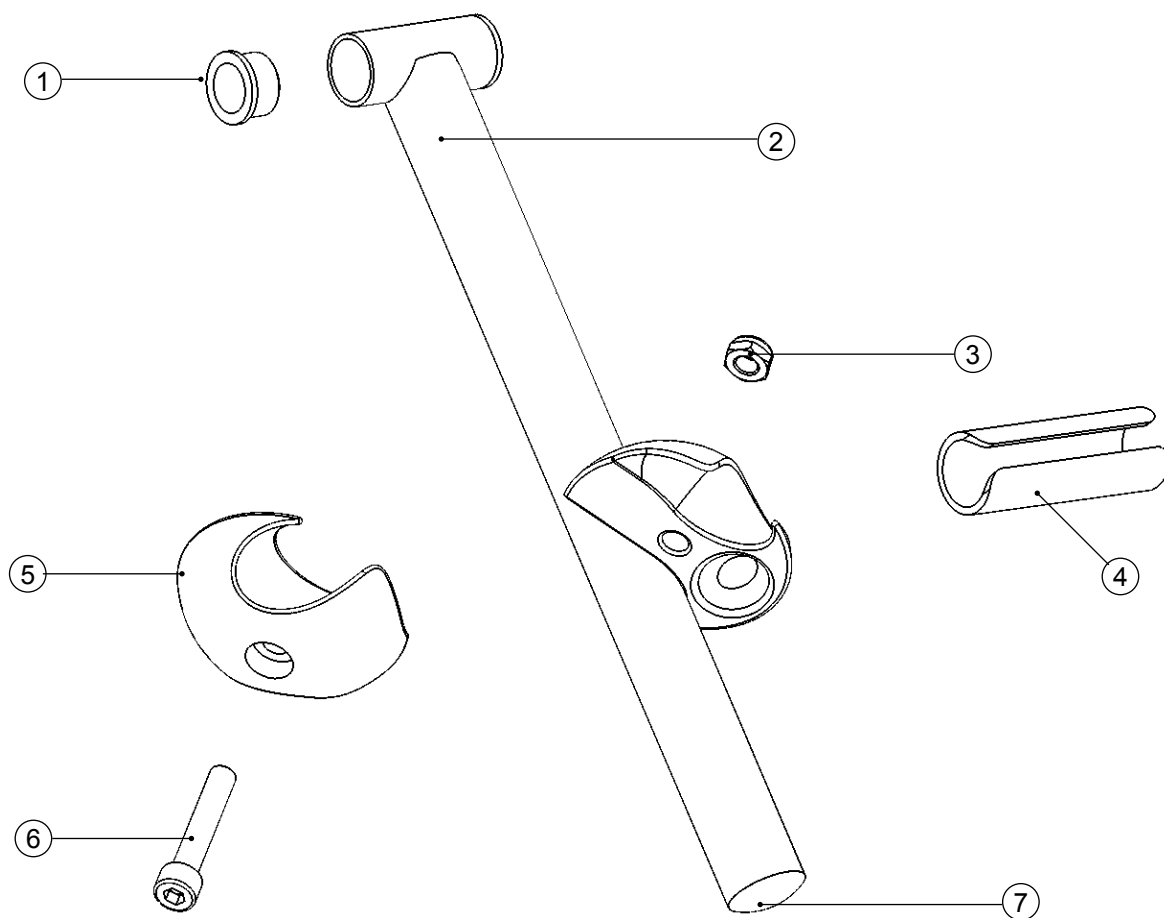
Pos	Article number	Artikle description	Quantity	Unit
1-9	1281-0116E	Short Alu wheel fork black with fork axle and wheel axle complete	1	Pc.
1	1281-0016-007	Wheel fork aluminum with 3 Holes, black anodized	1	Pc.
2	1205-0007	wheel fork axle	1	Pc.
3	1051-0012	Washer A 13	2	Pc.
4	1052-0012	Spring washer B12	1	Pc.
5	1043-0012	Hexagon nut M12	1	Pc.
6	1052-0008	Spring washer B8	1	Pc.
7	1205-0009	Wheel axle L54	1	Pc.
8	1029-6001	Button head socket screw, Tufflock M6x12	1	Pc.
9	1042-0008	Hexagon nut self-locking M8	1	Pc.
10	1113-0071	Friction washer plastic black	1	Pc.

Spare parts



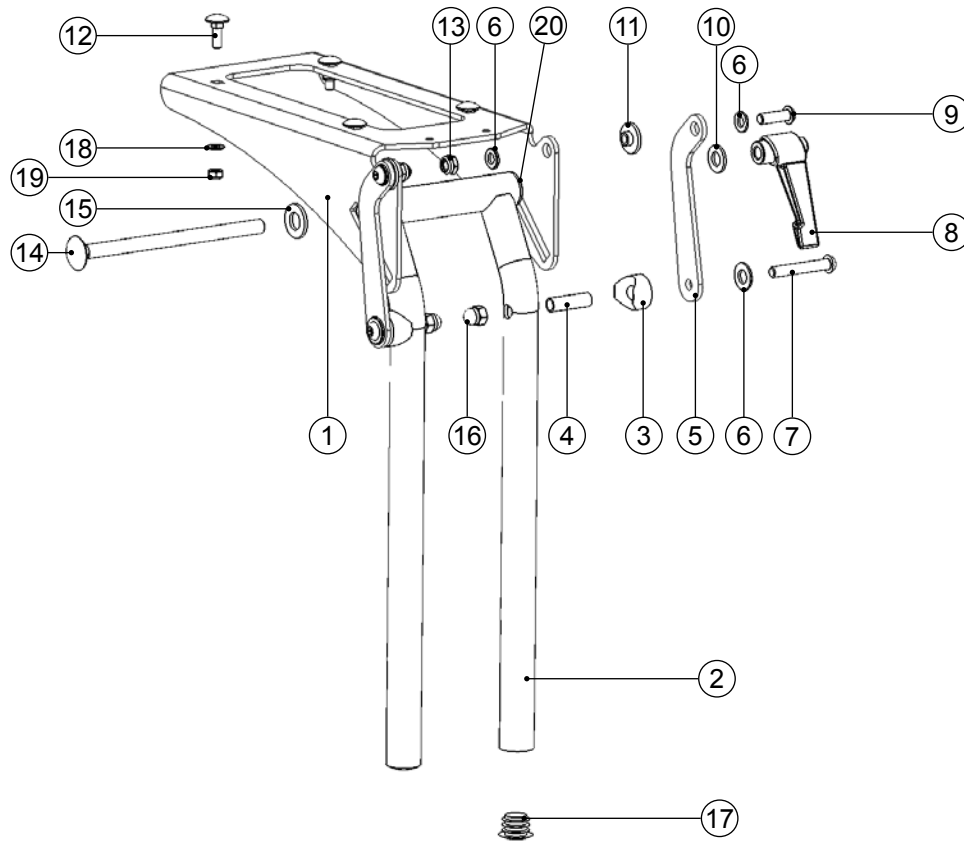
Pos	Article number	Articel description	Quantity	Unit
1-8	3275-2801E	Foot rest hanger 90°, lower leg length 13-26 cm	1	Pc.
	3275-2802E	Foot rest hanger 90°, lower leg length 13-36 cm	1	Pc.
1	3240-2830	Footrest intake size 1	1	Pc.
	3240-2840	Footrest intake size 2	1	Pc.
2	1042-0005	Hexagon nut self-locking M5	4	Pc.
3	1055-0005	Washer A5,3	4	Pc.
4	1111-0017	Saddle washer PA black D20xd5,3xH3	4	Pc.
5	3240-2810	Bond bridge	4	Pc.
6	1141-0009	ribbed insert SFL 25x1-2,5	4	Pc.
7	1055-0008	Washer A8,4	4	Pc.
8	1026-0535	Mushroom head square neck bolt M5x35	4	Pc.

Spare parts



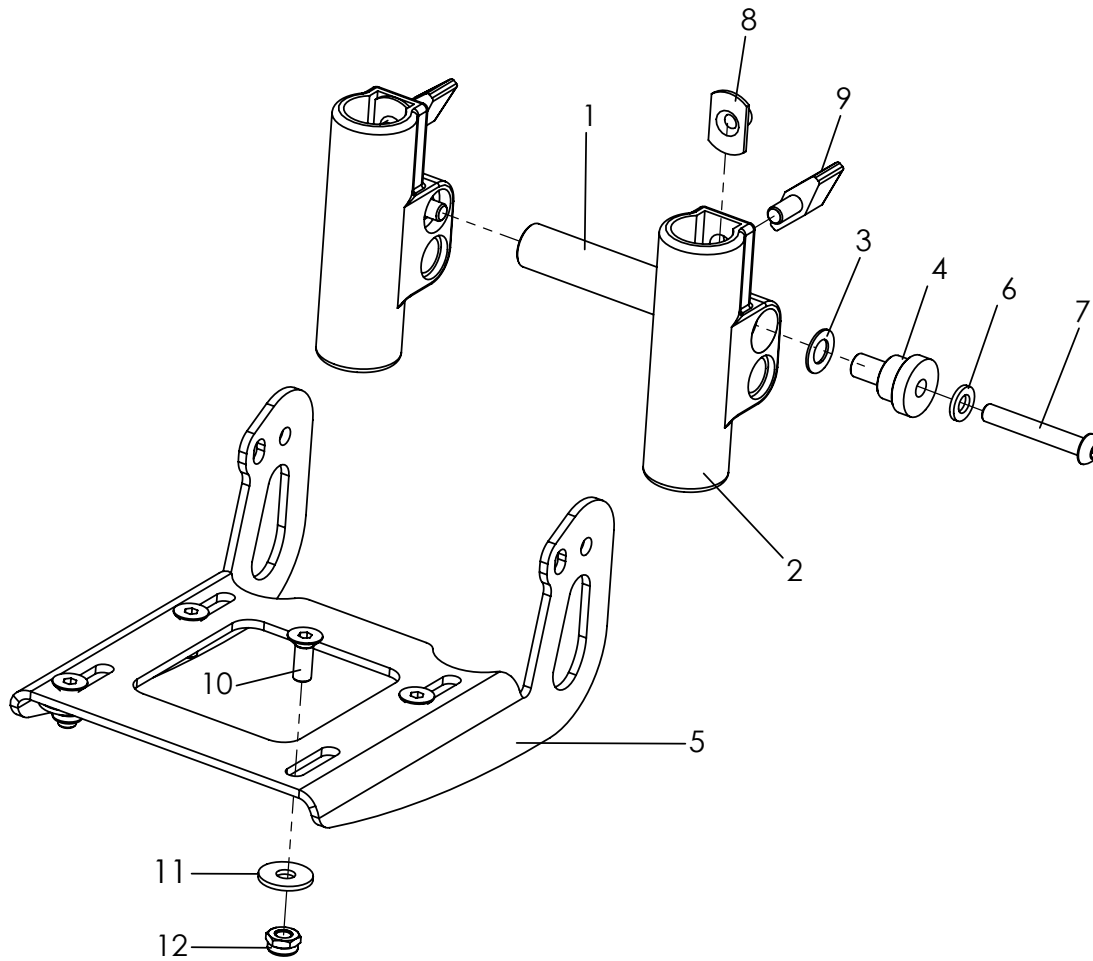
Pos	Article number	Articel description	Quantity	Unit
1-7	3276-2900	Transfer support CLEO	1	Set
1	3276-2941	Bushing 22x15x12	2	Pc.
2	3276-2930-015	Support Ø 25 SK, FS black	1	Pc.
3	1042-0008	Hexagon nut self-locking M8	1	Pc.
4	3275-2942	Reducing bush 25/20	1	Pc.
5	1145-0004-015	Tube cross clamp connector 25/25, FS	1	Pc.
6	1021-0845	Cylinder head screw zp DIN/ISO 912 M8x45	1	Pc.
7	1141-0009	Ribbed insert SFL 25x1-2,5	1	Pc.

Spare parts



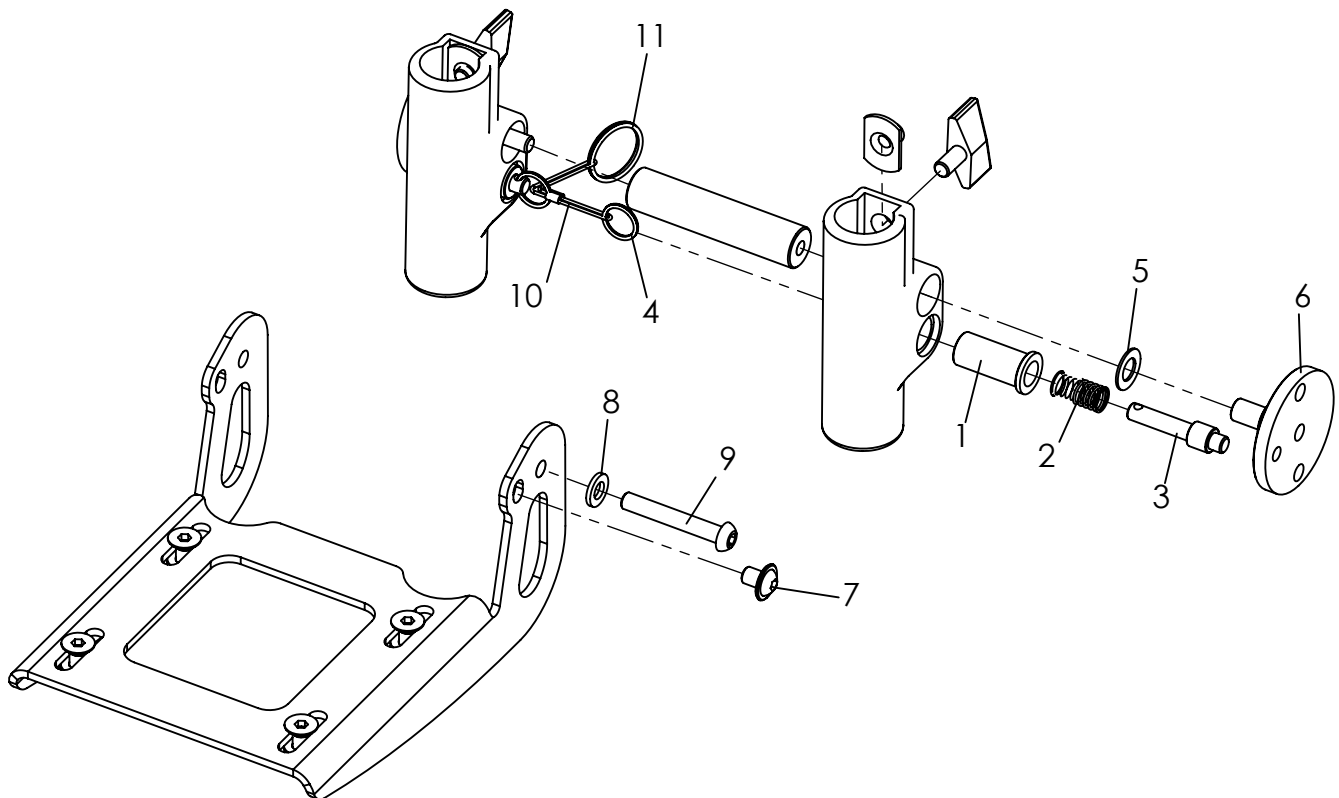
Pos	Article number	Articel description	Quantity	Unit
1-19	3278-2801E	Foot rest hanger angle adjustable 90-155°, lower leg length 19-25cm	1	Set
	3278-2802E	Foot rest hanger angle adjustable 90-155°, lower leg length 19-35cm	1	Set
1	3278-2851-007	Console for footrest	1	Pc.
2	3240-2860-015	Footrest adapter, angle adjustable, LLL 16-26 cm	1	Pc.
	3240-2870-015	Footrest adapter, angle adjustable, LLL 16-36 cm	1	Pc.
3	1111-0018	Saddle washer PA black 20x8.4x7	4	Pc.
4	1114-0025	Bushing zp 8x0,8x27	2	Pc.
5	3231-2432-032	Pivot lever strut, black dull matt	2	Pc.
6	1051-0006	Washer A6,4 zp DIN/ISO 125 A6,4	6	Pc.
7	1029-0640	Button head socket screw M6x40	2	Pc.
8	1121-0800	Locking lever PA black M8	1	Pc.
9	1029-0820	Button head socket screw M8x20	2	Pc.
10	1051-0008	Washer A8,4	1	Pc.
11	3210-1238	Shoulder bushing	2	Pc.
12	1026-0516	Mushroom head square neck bolt M5x16	4	Pc.
13	1042-0006	Hexagon nut self-locking M6	2	Pc.
14	1026-0813	Mushroom head square neck bolt M8x130	2	Pc.
15	1051-0012	Washer A13	1	Pc.
16	1044-0006	Hexagonal domed cap nut self-locking M6	2	Pc.
17	1141-0006	Ribbed insert SFL 20x0,8-2,5	2	Pc.
18	1051-0005	Washer A5,3	4	Pc.
19	1042-0005	Hexagon nut self-locking M5	4	Pc.
20	3240-2864	Clamp bushing	2	Pc.

Spare parts



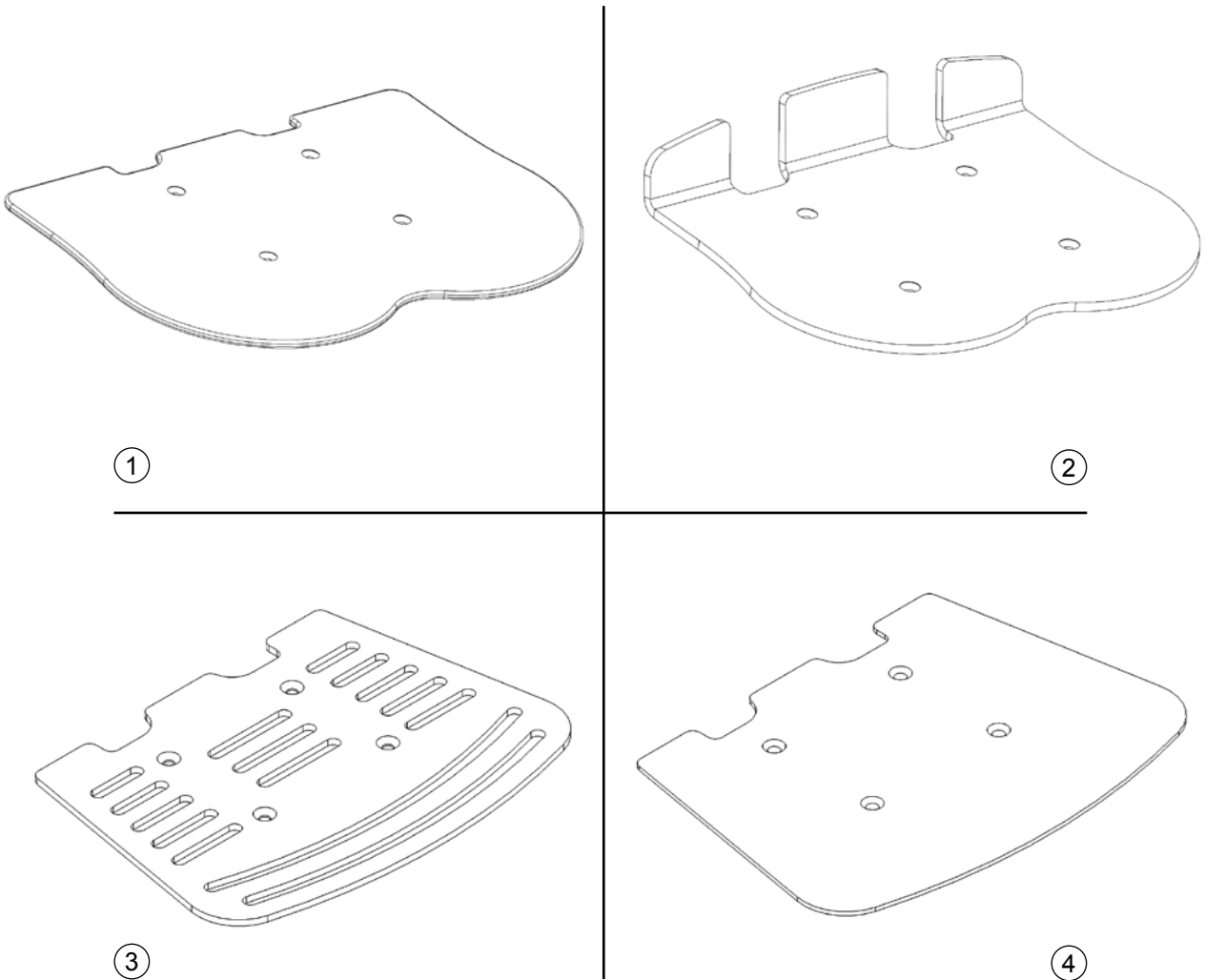
Pos	Article number	Articel description	Quantity	Unit
1-11	3240-2901E-032	Foot board assembly angle adjustable and foldable	1	Pc.
1	3240-2913	Stabilizer	1	Pc.
2	3201-2520	Footboard holder	2	Pc.
3	1052-0008	Spring washer B8	2	Pc.
4	3201-2530	Bushing	2	Pc.
5	3240-2911-032	Foot rest bracket black	1	Pc.
6	1055-0006	Washer A6,4	2	Pc.
7	1029-0640	Button head socket screw M6x40	2	Pc.
8	1049-0052	T-nut L-769 22x14xM6x8,5	2	Pc.
9	1123-0612	Wing screw Pa black M6x12 M6x BPF 20	2	Pc.
10	1024-0616-033	Hexagon socket countersunk head screw black M6x16	4	Pc.
11	1055-0006	Washer A 6,4	4	Pc.
12	1042-0006	Hexagon nut self-locking M6	4	Pc.

Spare parts



Pos	Article number	Articel description	Quantity	Unit
1-11	3240-2950E-032	Footrest flip up lock	1	Pc.
1	3201-7520	Spring housing	2	Pc.
2	1131-0036	Compression spring D-127d 0,8x8,3x29	2	Pc.
3	3201-7530	Lock pin	2	Pc.
4	1129-0036	Key ring 16x1,6	2	Pc.
5	1052-0008	Spring washer B8	2	Pc.
6	3201-7510	Lock plate	2	Pc.
7	1030-0608	button head socket screw with flang M6x8	2	Pc.
8	1051-0006	Washer A6,4	2	Pc.
9	1029-0640	button head socket screw M6x40	2	Pc.
10	3201-7560	Wire rope for foot rest lock, EVO	0,2	m
11	1129-0003	Key ring 24x1,5	1	Pc.

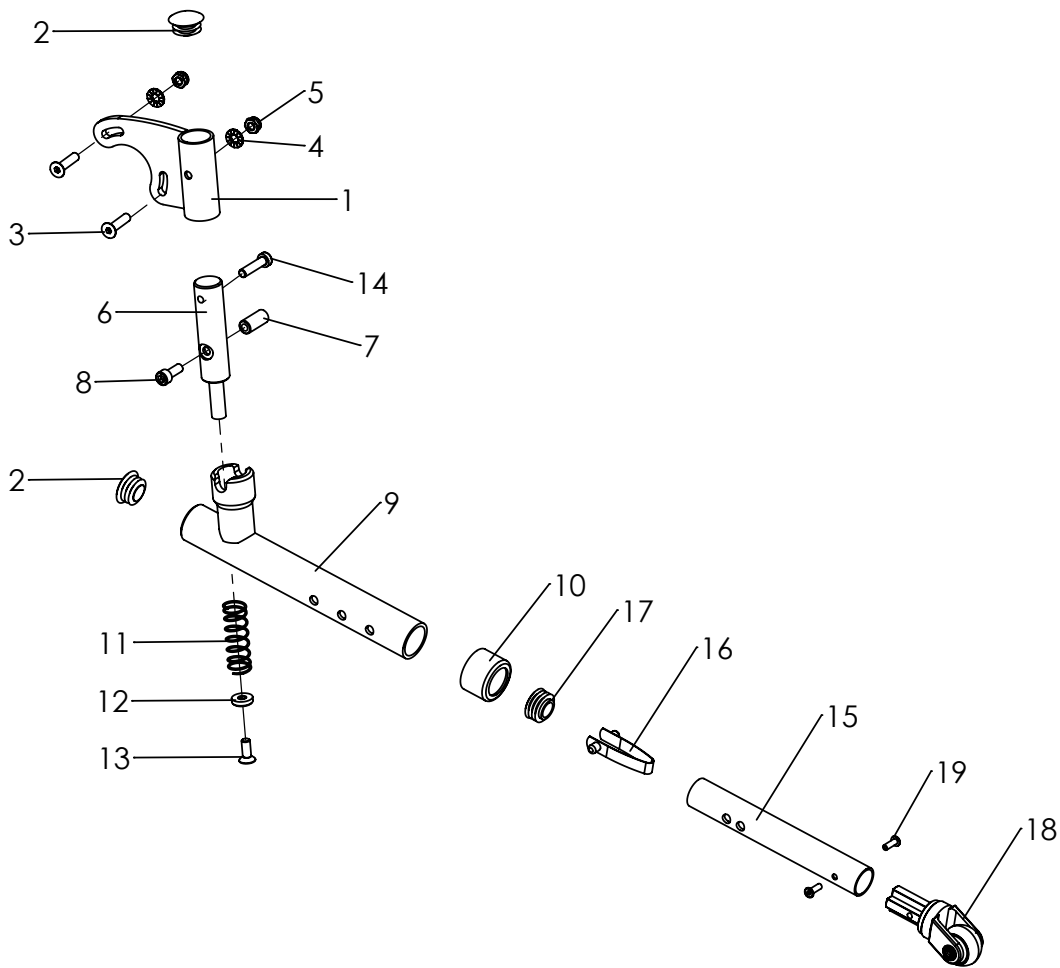
Spare parts



Pos	Article number	Articel description	Quantity	Unit
1	3275-31SWE	Foot plate ABS flat	1	Pc.
2	3275-30SWE	Foot plate ABS with heel stop	1	Pc.
3	3275-32SWE-000	Foot plate aluminum, in frame color	1	Pc.
4	3275-33SWE	Foot plate carbon flat	1	Pc.

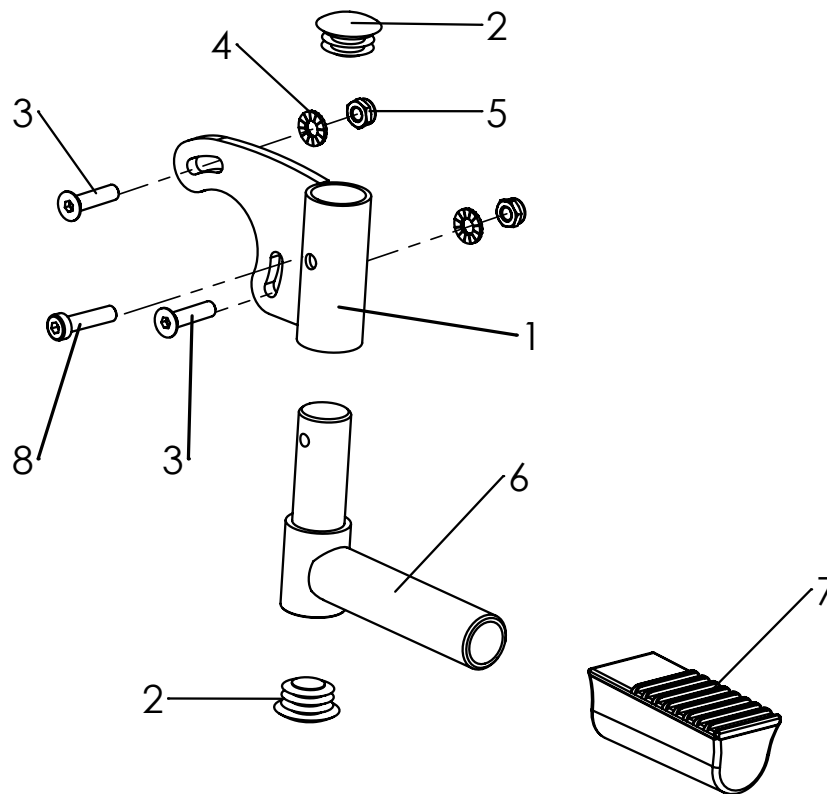
	SW =	24	26	28	30	32	34	36	38
3275-31SWE	depth	150	160	170	180	190	200	210	220
3275-30SWE	width	210	230	250	270	290	310	330	350
3275-32SWE-000	depth	160	170	180	190	200	210	220	230
3275-33SWE	width	210	230	250	270	290	310	330	350

Spare parts



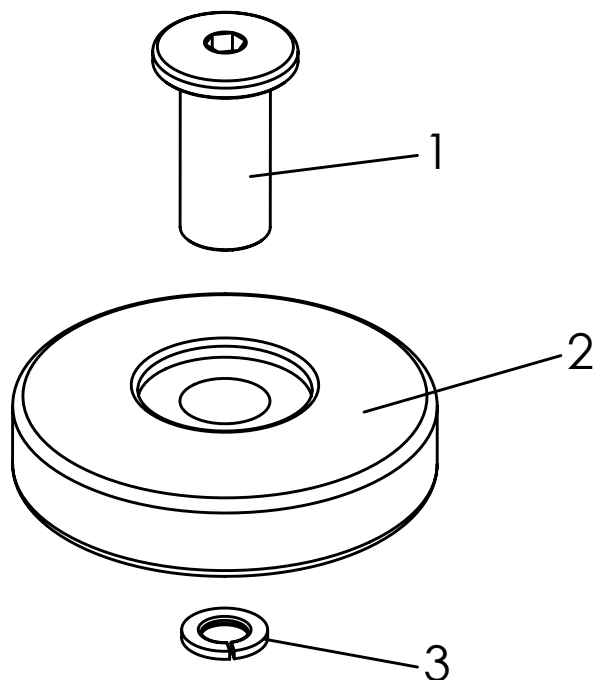
Pos	Article number	Articel description	Quantity	Unit
1-19	3275-1801	Anti tip, swingaway, left	1	Set
	3275-1802	Anti tip, swingaway, right	1	Set
1	3275-1810	Anti-tilt mount left	1	St
	3275-1820	Anti-tilt mount right	1	St
2	1141-0009	Ribbed insert SFL 25x1-2,5	2	St
3	1024-0625	Hexagon socket countersunk head screw M6x25	2	St
	1022-0630	Hexagon socket head cap screw M6x30 (for drum break)	2	St
	1024-0640	Hexagon socket countersunk head screw M6x40 (for tie down kit)	2	St
	3274-7314	Spacer bushing 20 x 6.2 x 5 (for tie down kit)	2	St
	1022-0645	Hexagon socket head cap screw M6x45 (for tie down kit and Drum break)	2	St
4	1059-0012	Wedge washer 6 mm wide	2	St
5	1042-0006	Hexagon nut self-locking zp DIN/ISO 985 M6	2	St
6	3261-1911	Anti-tip bearing	1	St
7	3240-1840	Resting axle	1	St
8	1022-0616	Hexagon socket head cap screw M6x16	1	St
9	3275-1830	Swivel arm tilt protection	1	St
10	3251-1848	Kapp 25x20 with 18 mm press cut	1	St
11	1131-0072	Compression D-190C 1,25x13x27x5,5	1	St
12	3261-1912	Thrust bearing	1	St
13	1024-0616	Hexagon socket countersunk head screw M6x16	1	St
14	1022-0625	Hexagon socket head cap screw M6x25	1	St
15-19	3261-1950E	Tilt tube complete	1	St

Spare parts



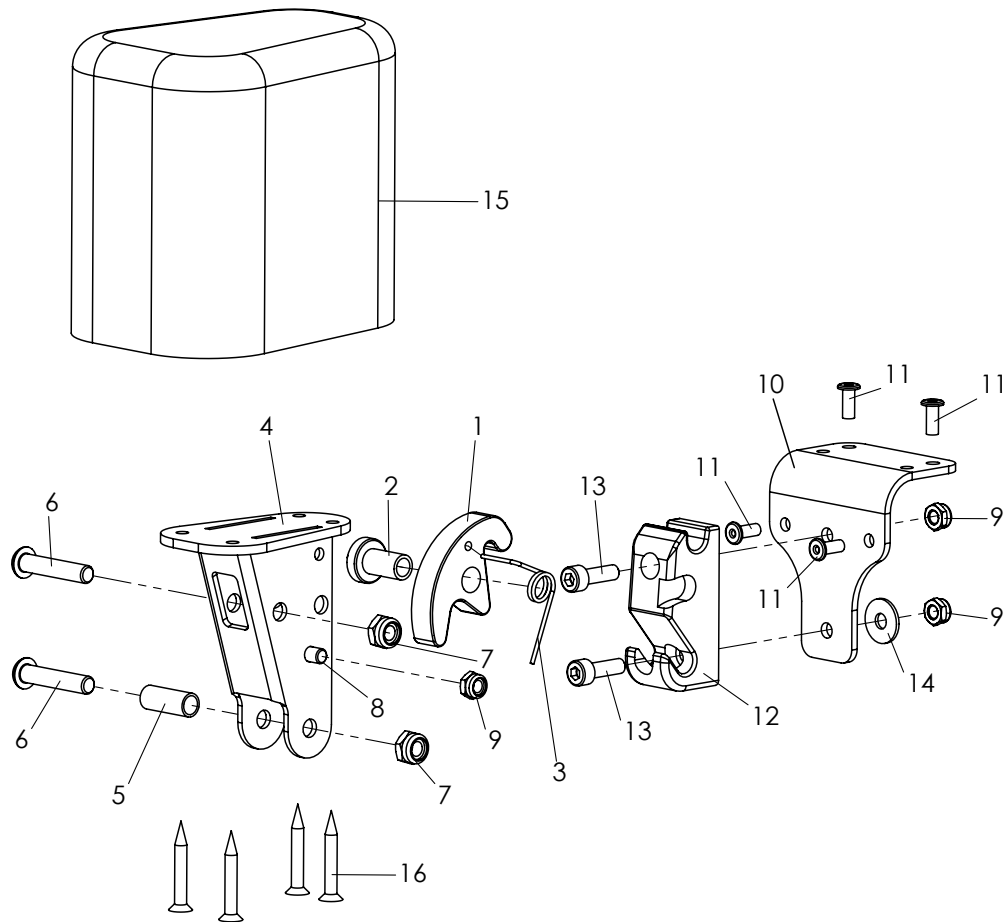
Pos	Article number	Articel description	Quantity	Unit
1-8	3275-1803	Tip assist, left	1	Set
	3275-1804	Tip assist, right	1	Set
1	3275-1810-015	Anti-tip support, left, black	1	Pc.
	3275-1820-015	Anti-tip support, right, black	1	Pc.
2	1141-0009	Ribbed insert SFL 25x1-2,5	2	Pc.
3	1024-0625	Hexagon socket countersunk head screw M6x25	2	Pc.
4	1059-0012	Wedge washer 6 mm wide	2	Pc.
5	1042-0006	Hexagon nut self-locking zp DIN/ISO 985 M6	2	Pc.
6	3261-1960-015	Tip assist	1	Pc.
7	7000-0068	Pedal D22 72x33 mm	1	Pc.
8	1022-0625	Hexagon socket head cap screw M6x25	1	Pc.

Spare parts



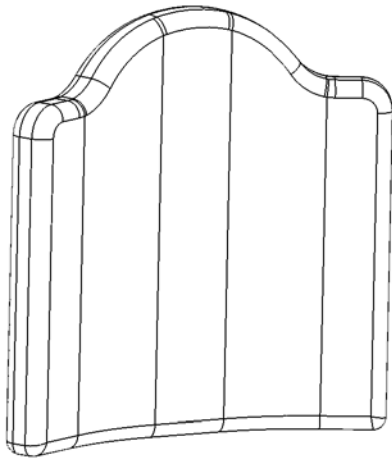
Pos	Article number	Articel description	Quantity	Unit
1-3	3275-1910	Bumper wheels	1	Set
1	3275-1911	Axle deflector role	2	Pc.
2	1249-0001	Deflector role	2	Pc.
3	1059-0010	Spring washer M8	2	Pc.

Spare parts

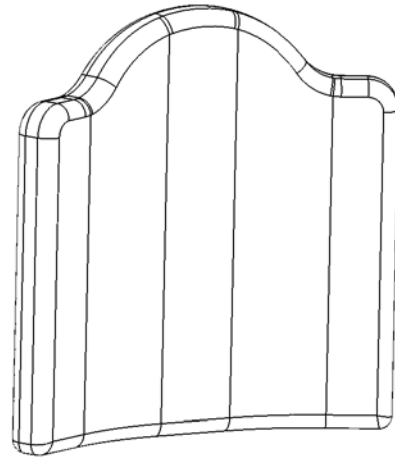


Pos	Article number	Articel description	Quantity	Unit
1-16	3231-7800	Abduction block size 1 swing&detachable, without cover	1	Pc.
	3231-7900	Abduction block size 2 swing&detachable, without cover	1	Pc.
	3233-7800	Abduction block size 3 swing&detachable, without cover	1	Pc.
1	3231-7841	Arresting clamp	1	Pc.
2	3231-7842	Bearing arresting clamp	1	Pc.
3	1133-0020	Leg spring 1,25 x 9,25 x 2,25	1	Pc.
4	3231-7820-032	A-wedge support	1	Pc.
5	1114-0013	Bushing zp 8x0,8x20	1	Pc.
6	1029-0630	Button head socket screw M6x30	2	Pc.
7	1042-0006	Hexagon nut self-locking 985 M6	2	Pc.
8	1021-0508	Cylinder head screw M5x8	1	Pc.
9	1042-0005	Hexagon nut self-locking M5	3	Pc.
10	3231-7831-032	Base plate abduction block receiver	1	Pc.
11	1062-0410	Blind rivet F4x10	4	Pc.
12	3231-7832	Arresting part for A-wedge	1	Pc.
13	1021-0516	Hexagon socket head cap screw M5x16	2	Pc.
14	1055-0005	Washer A5,3	1	Pc.
15	3201-7810E	Wood wedge size 1 with PU-foam	1	Pc.
	3201-7910E	Wood wedge size 1 with PU-foam	1	Pc.
	3203-7810E	Wood wedge size 1 with PU-foam	1	Pc.
16	1028-0430	Pressboard screw countersunk head 4x30	4	Pc.
	3201-7840-323	Cover for abduction block size 1 iron grey	1	Pc.
	3201-7940-323	Cover abduction block size 2 iron grey	1	Pc.
	3203-7840-323	Cover for abduction block size 3 iron grey	1	Pc.

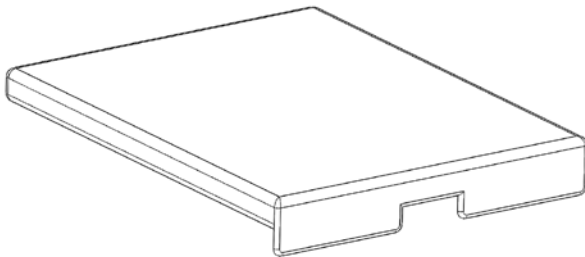
Spare parts



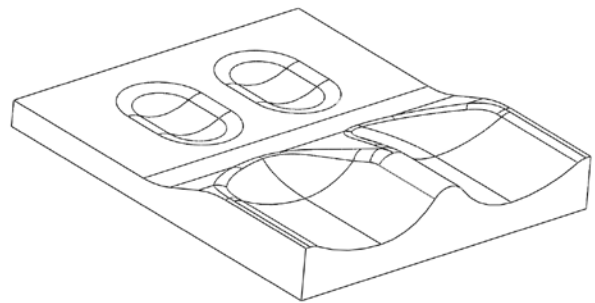
①



②



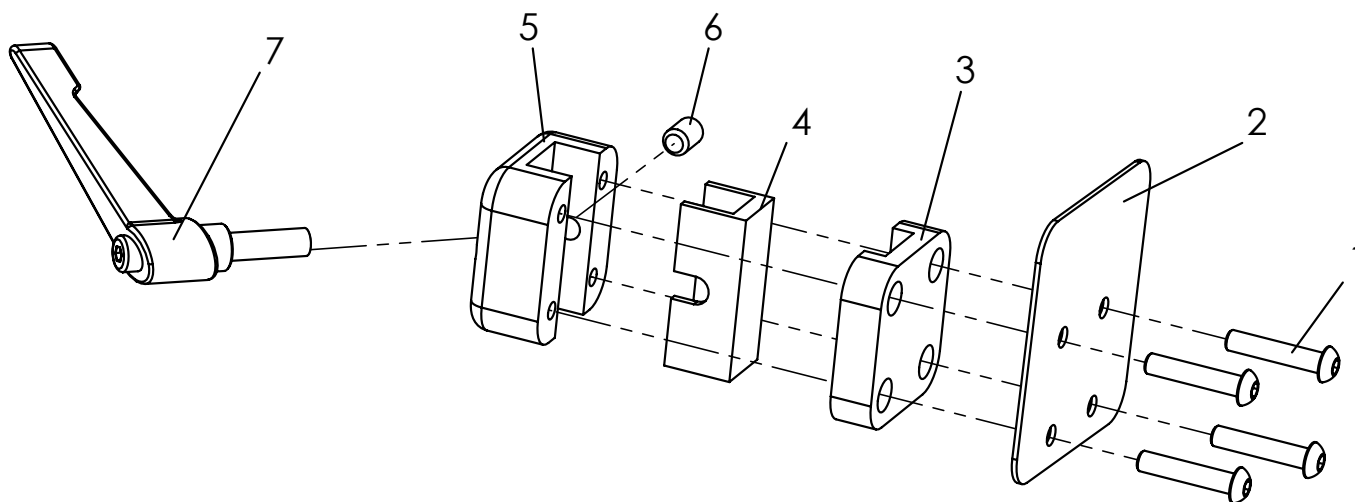
③



④

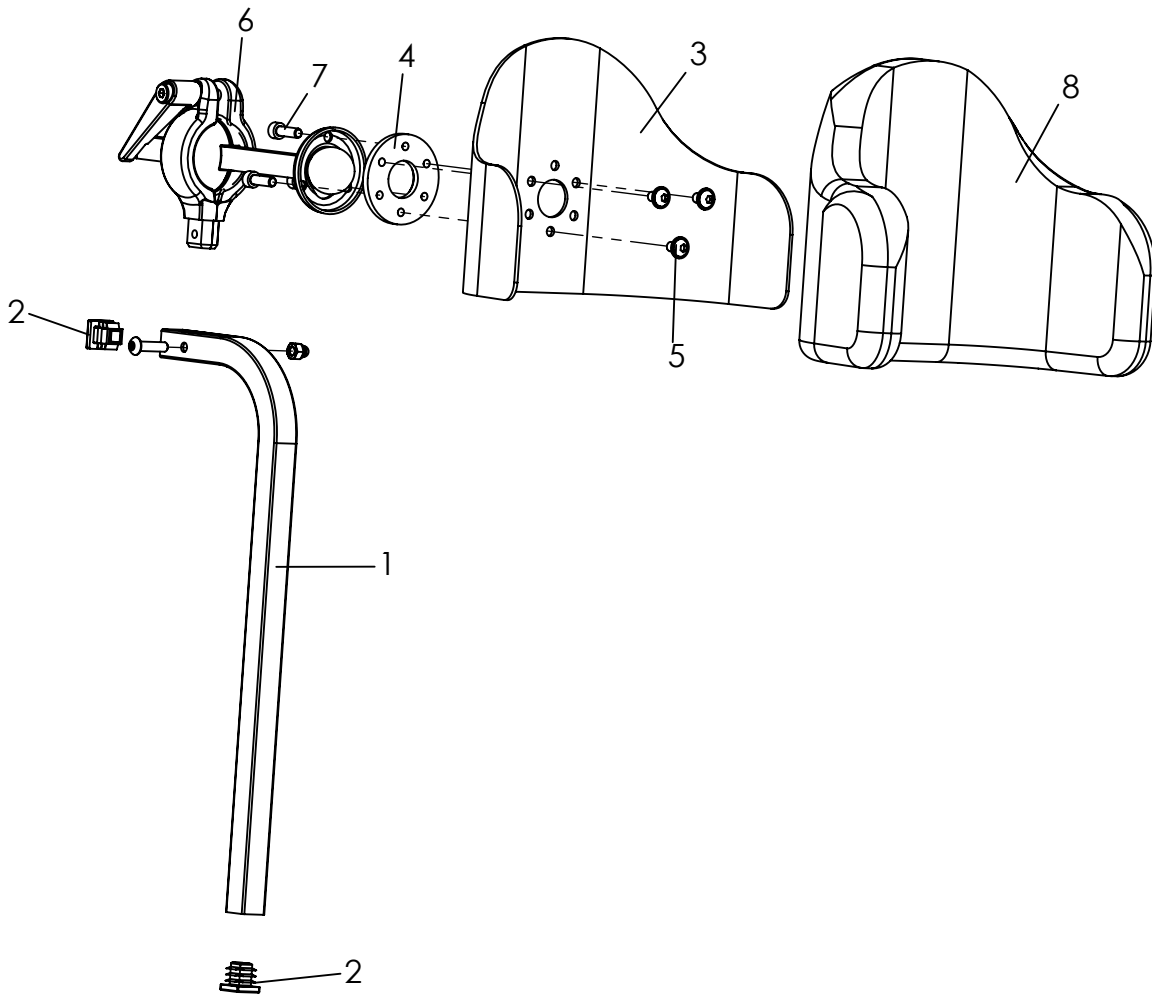
Pos	Article number	Articel description	Quantity	Unit
1*	3275-7100-306	Back cushion 2.5 cm thick	1	Pc.
2*	3276-7100-306	Back cushion for foldable back 2.5 cm thick	1	Pc.
3**	3246-71SB-306	Seat cushion 3 cm thick	1	Pc.
4**	3246-80SB-322	Contoured seat cushion with cover	1	Pc.
	*	When orderd plese give us the SW and Back hight.		
	**	When orderd plese give us the SW and SeatDepth.		

Spare parts



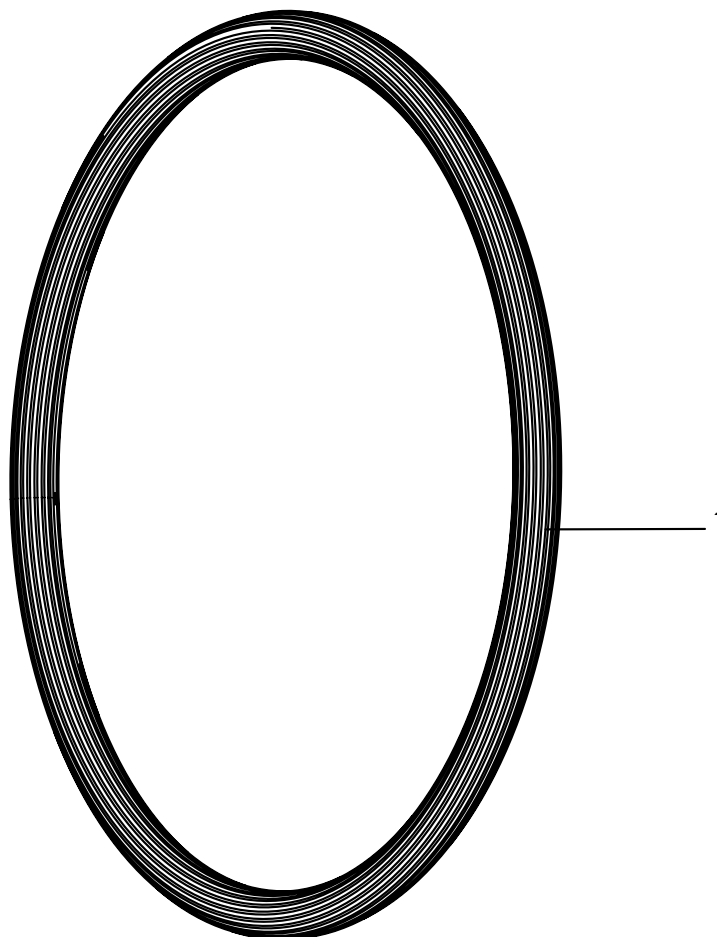
Pos	Article number	Articel description	Quantity	Unit
1-7	3201-3830	Universal headrest bracket	1	Pc.
1	1029-0630	Button head socket screw M6x30	4	Pc.
2	3201-3834-015	Reinforcing plate back, FS black	1	Pc.
3	3201-3831	Clamp bottom part	1	Pc.
4	3201-3833	Reducing piece	1	Pc.
5	3201-3832	Clamp upper part	1	Pc.
6	1031-0812	Hexagon socket set screw M8x12	1	Pc.
7	1121-0825	Locking lever PA black M8x25	1	Pc.

Spare parts



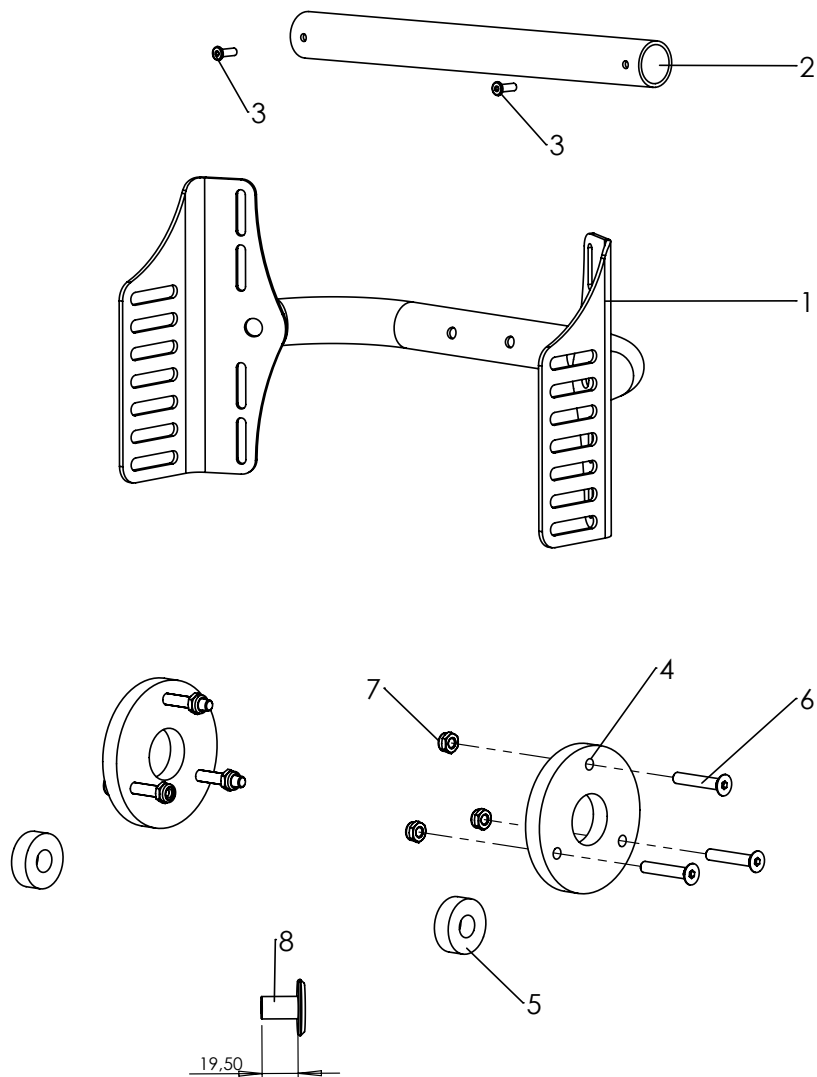
Pos	Article number	Articel description	Quantity	Unit
1-7	3245-7800-306	Head rest with mounting bracket, no cushion	1	Pc.
1	3245-7821-016	Pillar 90°	1	Pc.
2	1141-0030	Ribbed insert VL 15x15x0,8-2 black	2	Pc.
3	3245-7832	Pelotte	1	Pc.
4	3245-7831-008	Clamping ring	1	Pc.
5	1030-0508	Button head socket screw with flange M5x8	3	Pc.
6-7	3245-7810	Ball-head clamping complete	1	Pc.
7	1021-0516	Hexagon socket head cap screw M5x16	3	Pc.
8	3245-7850-306	Head rest cushion, black	1	Pc.

Spare parts



Pos	Article number	Articel description	Quantity
1	1204-0015	Push-rim cover in silicone, 20", black fluted	1
2	1204-0016	Push-rim cover in silicone, 22", black fluted	1
3	1204-0017	Push-rim cover in silicone, 24", black fluted	1

Spare parts

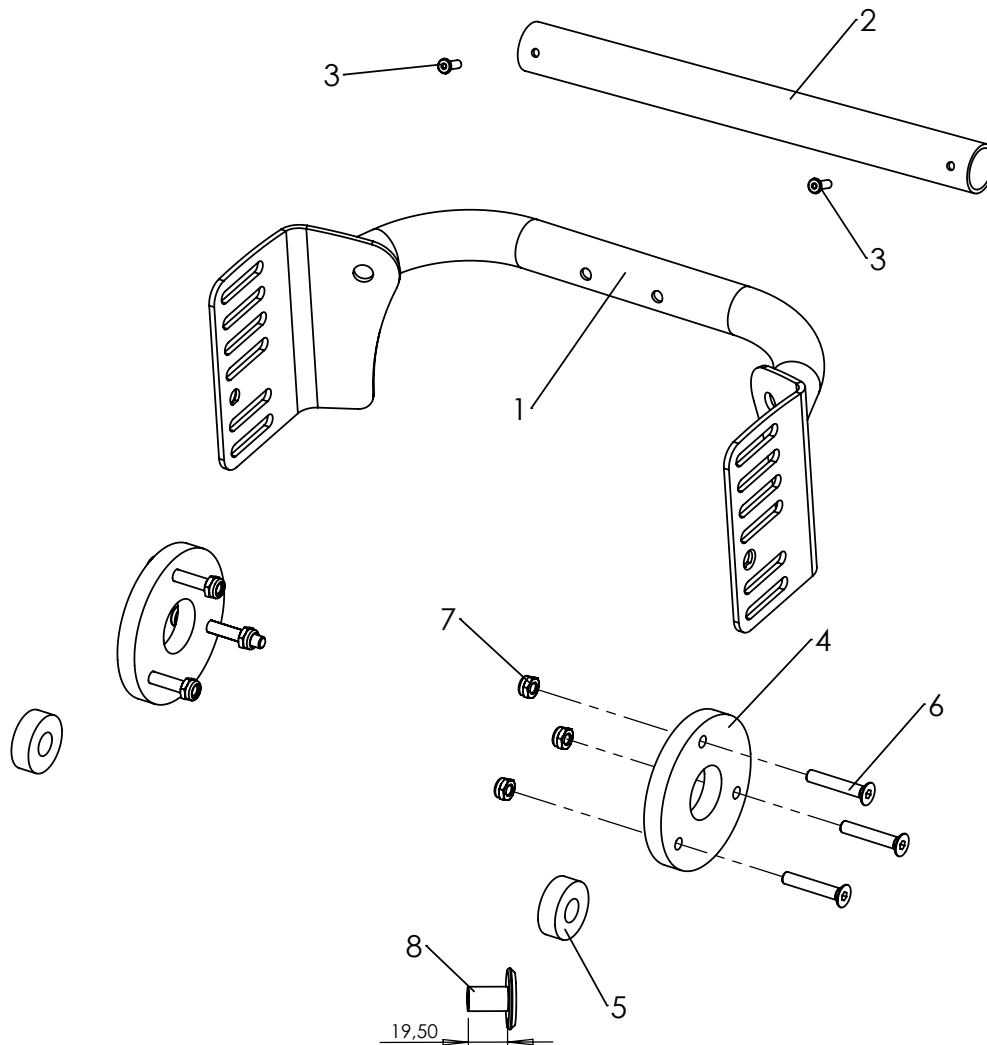


Pos	Article number	Articel description	Quantity	Unit
1-7	3275-15SW	CLEO extension kit of 2 cm	1	Set
1	3275-22SW-000	Back base	1	Pc.
2*	3275-51SW-015	Cross tube for Puschbar or Handlebar	1	Pc.
3	1062-0412	Blind rivet F4x12	2	Pc.
4	3275-1491	Spacer rear axle	2	Pc.
5	3275-1493	Spacer cross tube	2	Pc.
6	1024-0635	Hexagon socket countersunk head screw M6x35, (tilt stop or tie down kit)	6	Pc.
	1022-0640	Cylinder head screw M6x40 (tilt stop and drum break)	4	Pc.
	1024-0650	Hexagon socket countersunk head screw M6x50 (tilt stop and Tie down kit)	4	Pc.
	1021-0660	Hexagon socket head cap screw M6x60 (tie down kit, tilt stop and drum break)	4	Pc.
7	1042-0006	Hexagon nut self-locking M6	6	Pc.
8**	3275-1417	Rosette black anodized	1	Pc.

* Use onley with Pushbar or Handlebar.

** Onley order when the exsisting Rosette is smaller then 19,5 cm !

Spare parts

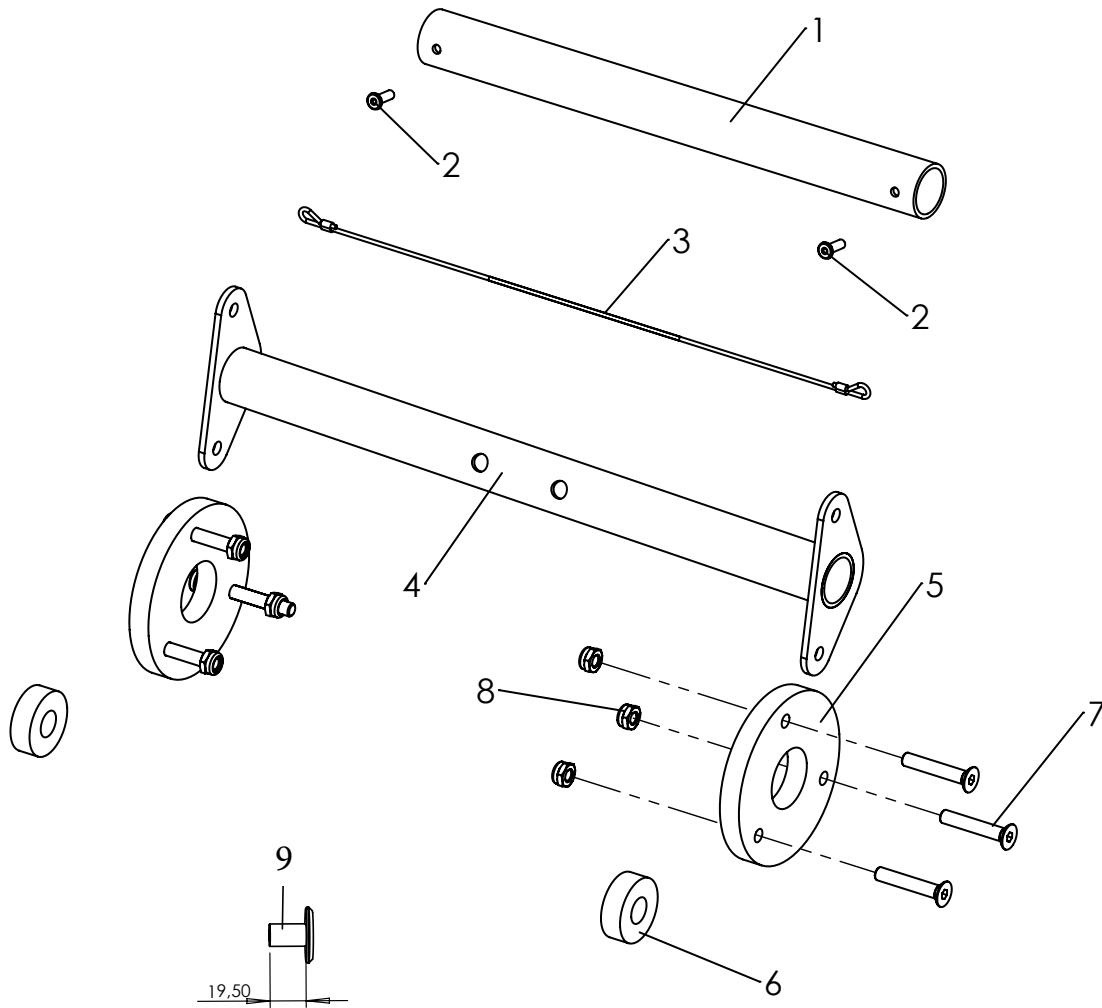


Pos	Article number	Articel description	Quantity	Unit
1-7	3276-15SW	CLEO extension kit of 2 cm, foldable back	1	Set
1	3276-22SW-000	Back base	1	Pc.
2*	3275-51SW-015	Crosstube for Pushbar or Handlebar	1	Pc.
3	1062-0412	Blind rivet F4x12	2	Pc.
4	3275-1491	Spacer rear axle	2	Pc.
5	3275-1493	Spacer cross tube	6	Pc.
6	1024-0635	Hexagon socket countersunk head screw M6x35, (tilt stop or tie down kit)	4	Pc.
	1022-0640	Cylinder head screw M6x40 (tilt stop and drum break)	4	Pc.
	1024-0650	Hexagon socket countersunk head screw M6x50 (tilt stop and Tie down kit)	4	Pc.
	1021-0660	Hexagon socket head cap screw M6x60 (tie down kit, tilt stop and drum break)	4	Pc.
7	1042-0006	Hexagon nut self-locking M6	6	Pc.
8**	3275-1417	Rosette black anodized	1	Pc.

* Use onley with Handlebar or Pushbar.

** **Only order when the existing Rosette is smaller then 19,5 cm !**

Spare parts



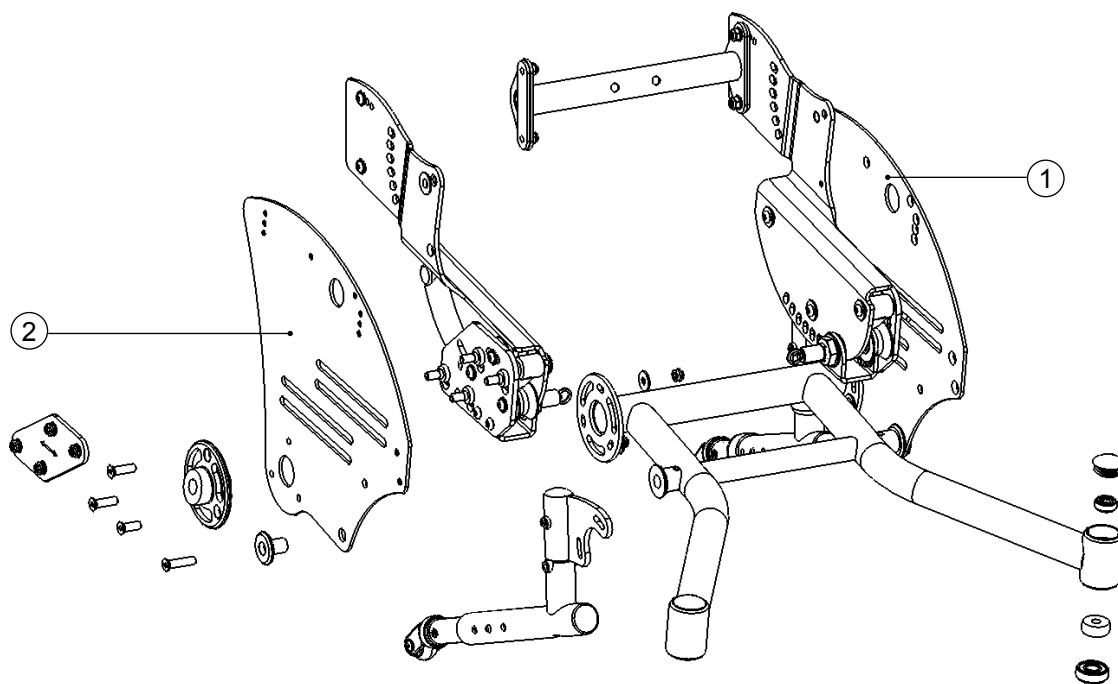
Pos	Artikelnummer	Artikelbezeichnung	Menge	ME
1-8	3278-15SW	CLEO extension kit of 2 cm, for CLEO Ti	1	Set
1*	3275-51SW-015	Cross tube for Puschbar or Handelbar	1	Pc.
2	1062-0412	Blind rivet F4x12	2	Pc.
3	3245-26SWE	Wire-roped with rings for back rest recline	1	Pc.
4	3278-55SW-015	Cross bar	1	Pc.
5	3275-1491	Spacer rear axle	2	Pc.
6	3275-1493	Spacer cross tube	2	Pc.
7	1024-0635	Hexagon socket countersunk head screw M6x35, (tilt stop or tie down kit)	6	Pc.
	1022-0640	Cylinder head screw M6x40 (tilt stop and drum break)	4	Pc.
	1024-0650	Hexagon socket countersunk head screw M6x50 (tilt stop and Tie down kit)	4	Pc.
	1021-0660	Hexagon socket head cap screw M6x60 (tie down kit, tilt stop and drum break)	4	Pc.
8	1042-0006	Hexagon nut self-locking M6	6	Pc.
9**	3275-1417	Rosette	2	Pc.

* Use onley with Pushbar or Handlebar

* Crosstube size is always 4cm shorter then SW / e.g. (SW 32 -4 cm = SW28)

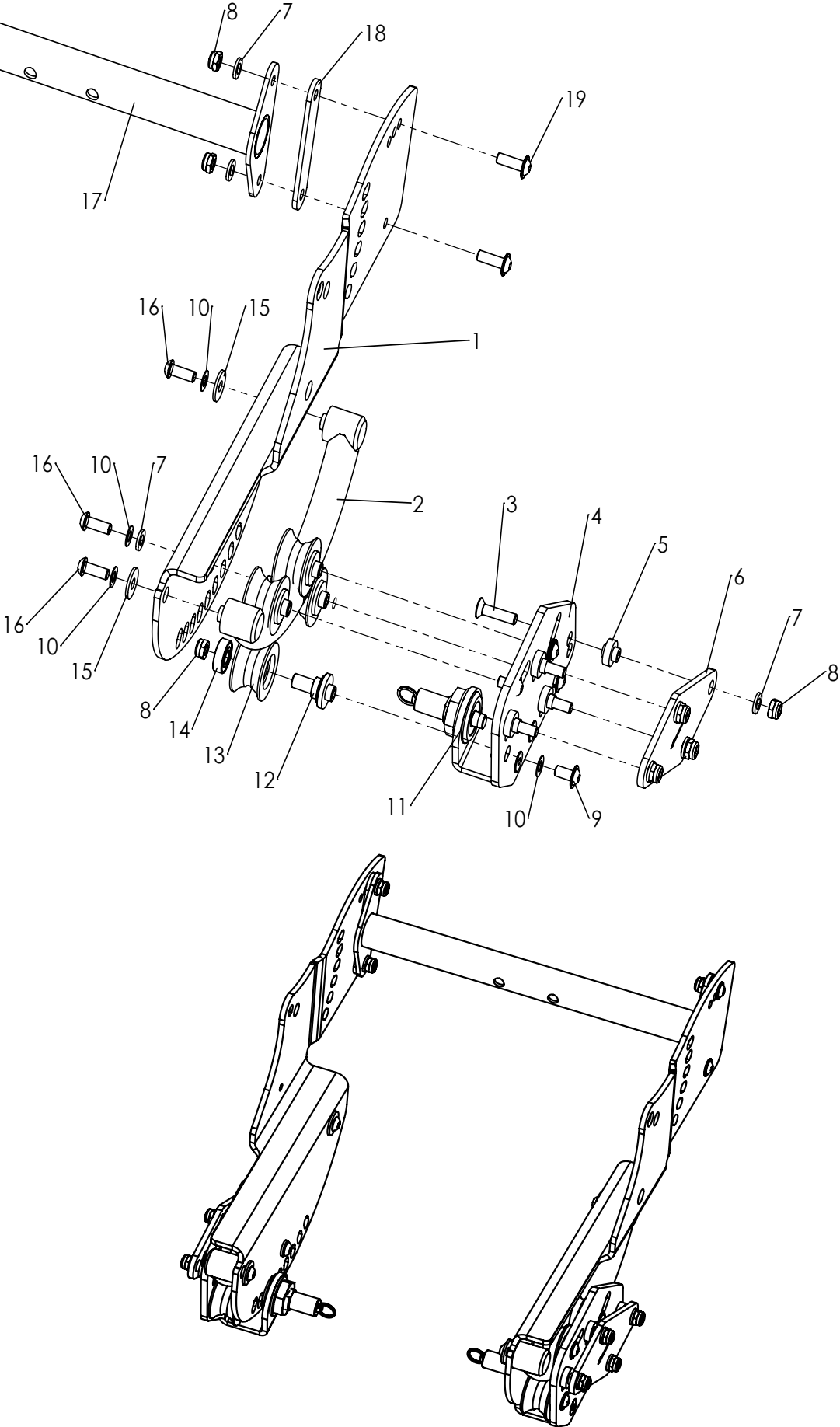
** **Onley order when the exsisting Rosette is smaller then 19,5cm!**

Spare parts



Pos	Article number	Articel description	Quantity	Unit
1	3277-1423-015	Base plate aluminum left 20 "CLEO Ti fine structure black	1	Pc.
2	3277-1424-015	Base plate aluminum right 20 "CLEO Ti fine structure black	1	Pc.
1	3278-1423-015	Base plate aluminum left 22 "CLEO Ti fine structure black	1	Pc.
2	3278-1424-015	Base plate aluminum right 22 "CLEO Ti fine structure black	1	Pc.
1	3279-1423-015	Base plate aluminum left 24 "CLEO Ti fine structure black	1	Pc.
2	3279-1424-015	Base plate aluminum right 24 "CLEO Ti fine structure black	1	Pc.

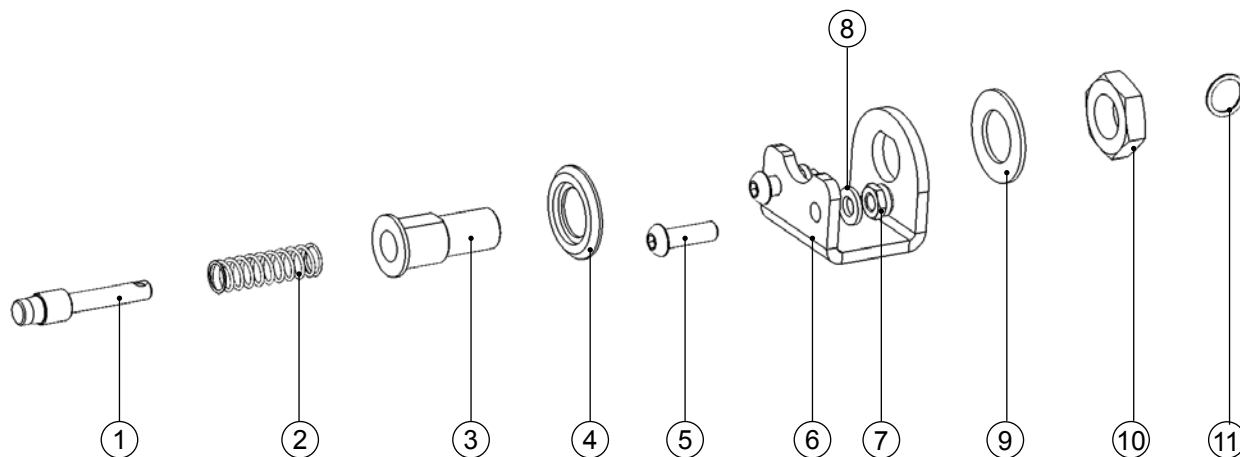
Spare parts



Spare parts

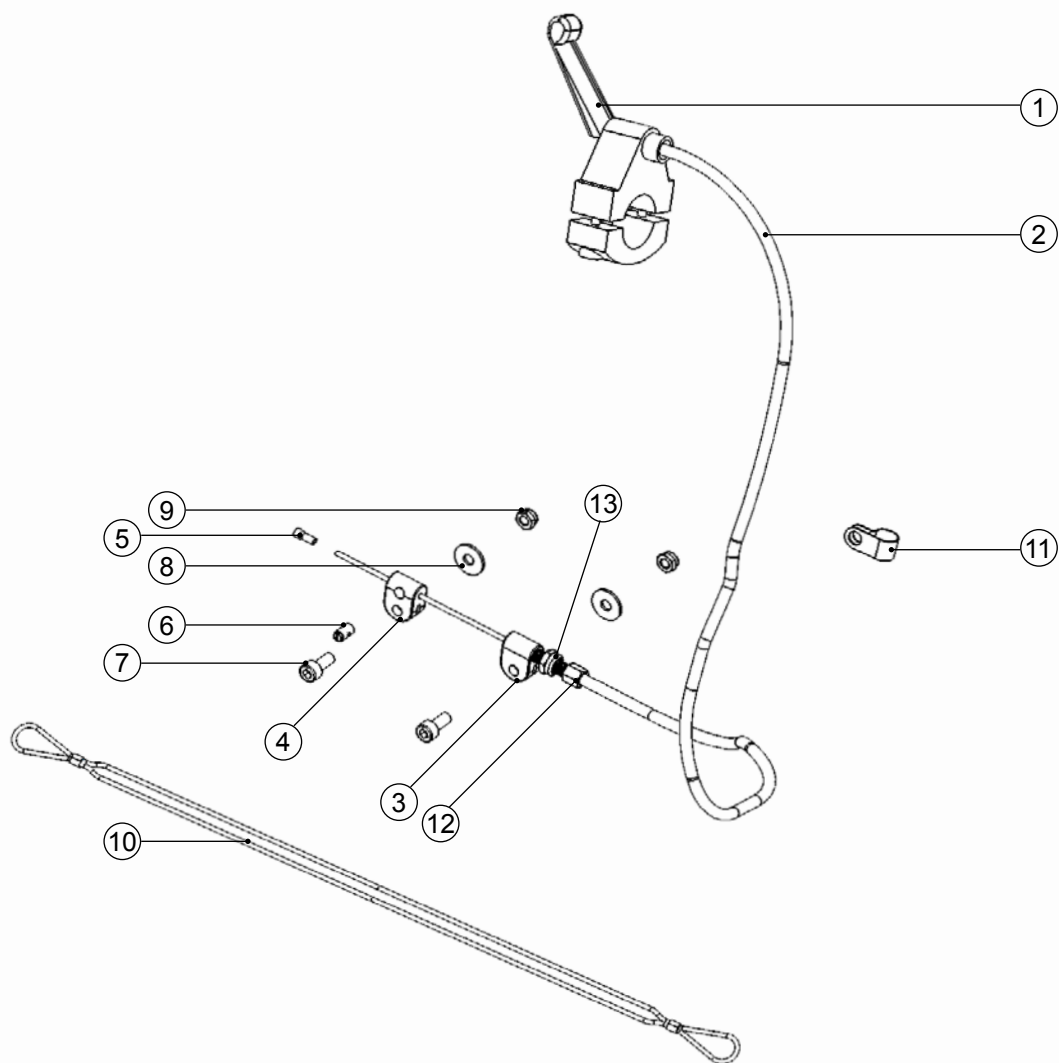
Pos	Article number	Articel description	Quantity	Unit
1-16	3277-1201	CLEO-Ti Tilting unit	1	Set
1	3277-1511-05	Seating plate carrier left CLEO fine structure black	1	Pc.
	3277-1512-015	Seating plate carrier right CLEO fine structure black	1	Pc.
2	3277-1570	Skid runner CLEO Alu SK	2	Pc.
3	1024-0625	Hexagon socket countersunk head screw M6x25	8	Pc.
4	3277-1251-015	Tilting base left	1	Pc.
	3277-1252-015	Tilting base right	1	Pc.
5	3248-1264	Guiding bushing tilt bearing	8	Pc.
6	3277-1256-xxx	Pressure plate CLEO	2	Pc.
7	1051-0006	Washer A6,4	14	Pc.
8	1042-0006	Hexagon nut self-locking M6	20	Pc.
9	1030-0612	Button head socket screw with flange M6x12	8	Pc.
10	1052-0006	Spring washer B6	14	Pc.
11	3277-1560	CLEO Ti locking unit	2	Pc.
12	3277-1255	Axel supporting role	8	Pc.
13	3006-1141	Cross tube (onley with One-hand push bar with S-shape)	8	Pc.
14	1090-0004	Grooved ball bearing 6000 2RS D26xd10x8	8	Pc.
15	1055-0006	Washer A6,4	4	Pc.
16	1029-0616	Button head socket screw M6x16	6	Pc.
17	3278-55SW-015	Cross tube (onley with One-hand push bar with S-shape)	1	Pc.
18	3240-5312-015	Spacer	2	Pc.
19	1030-0618	Button head socket screw with flange M6x18	4	Pc.

Spare parts



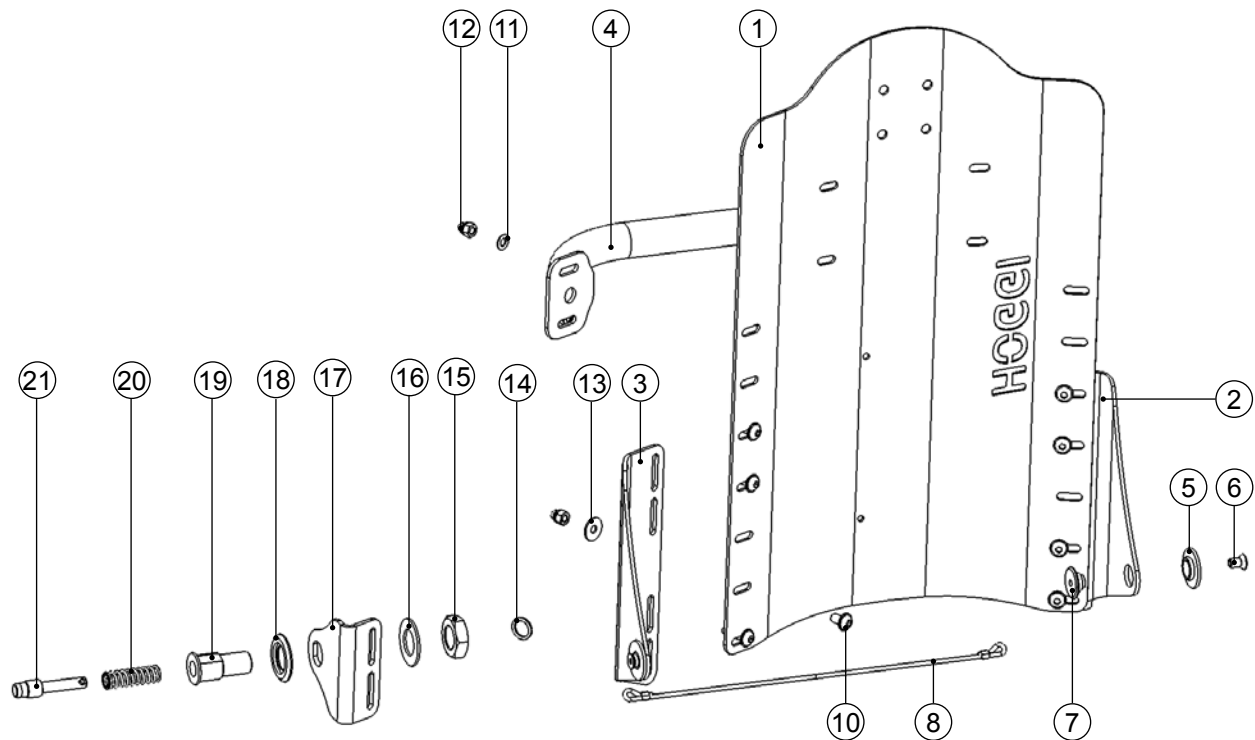
Pos	Article number	Articel description	Quantity	Unit
1-11	3277-1560	Riegeleinheit	1	Set
1	3240-2422	Locking bolt	1	Pc.
2	1131-0070	Compression D-162	1	Pc.
3	3246-1145	Bolt housing	1	Pc.
4	3248-3013	Thrust washer	1	Pc.
5	1024-0620	Hexagon socket countersunk head screw M6x20	2	Pc.
6	3277-1562-015	Holder lock housing CLEO	1	Pc.
7	1051-0006	Washer A6,4	2	Pc.
8	1042-0006	Hexagon nut self-locking M6	2	Pc.
9	1052-0016	Spring washer B16	1	Pc.
10	1040-0016	Hexagon nut BM 16x 1,5	1	Pc.
11	1129-0036	Key ring 16x1,6	1	Pc.

Spare parts



Pos	Article number	Articel description	Quantity	Unit
1-13	3277-1900E	CLEO Ti Release for tilting	1	Set
1	1209-0041	Release lever D22 (7,5mm hole)	1	Pc.
2	1209-0029	Bowden cable BZ-670x780	1	Pc.
3	3007-1931	Bowden bearing prepared for adjustment screw	1	Pc.
4	3243-1932	Nipple bearing	1	Pc.
5	1209-0007	end cap aluminium U-BA-S for Bowden cable wire	1	Pc.
6	1099-0004	Screw nipple 1100, D5x8	1	Pc.
7	1021-0512	Cylinder head screw M5x12	2	Pc.
8	1055-0005	Washer A5,3	2	Pc.
9	1042-0005	Hexagon nut self-locking M5	2	Pc.
10	1129-1001	Universal wire-rope with rope thimble for seat angle adjustment	2	Pc.
11	1119-0004	Wire clamp D7,9 mm	2	Pc.
12	1099-0003	Adjusting screw with nut M6x20/30	1	Pc.
13	1042-0006	Hexagon nut self-locking M6	1	Pc.

Spare parts

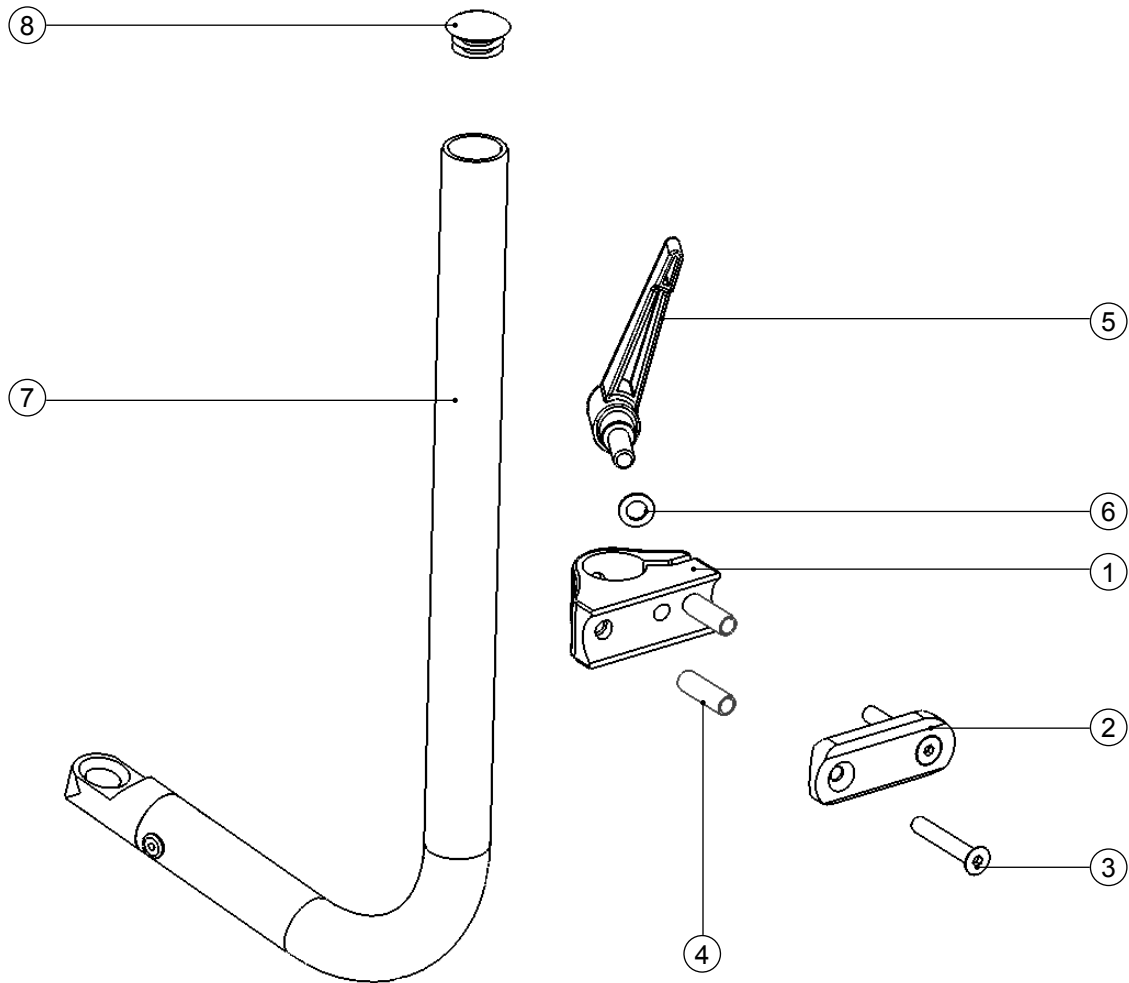


Pos	Article number	Articel description	Quantity	Unit
1-21	3279-26SW-000	Back panel "angle adjustable" in frame colour, back height 25	1	Set
	3279-27SW-000	Back panel "angle adjustable" in frame colour, back height 30	1	Set
	3279-28SW-000	Back panel "angle adjustable" in frame colour, back height 35	1	Set
	3279-29SW-000	Back panel "angle adjustable" in frame colour, back height 40	1	Set
1*	3274-32SW-000	Back panel in frame colour, back height 25	1	Pc.
	3274-33SW-000	Back panel in frame colour, back height 30	1	Pc.
	3274-34SW-000	Back panel in frame colour, back height 35	1	Pc.
	3274-35SW-000	Back panel in frame colour, back height 40	1	Pc.
2	3276-2313-000	Back elements, left	1	Pc.
3	3276-2314-000	Back elements, right	1	Pc.
4	3278-22SW-000	Cross tube for back base	1	Pc.
5	3277-2558	Bushing 25x14x6,8x2	2	Pc.
6	1024-0512	Hexagon socket countersunk head screw M5x12	2	Pc.
7	3277-2559	Bearing axle back CLEO Ti	2	Pc.
8	** 3279-269x	Wire-rope, for back rest recline	1	Pc.
9	1512-0012	PP strap 25x350 black with a sewn loop opposite the perforation	1	Pc.
10	1030-0516	Button head socket screw with flange M5x16	8	Pc.
11	1051-0005	Washer A5,3	4	Pc.
12	1044-0005-033	Hexagonal domed cap nut self-locking black M5	8	Pc.
13	1055-0005-033	Washer A5,3 black	4	Pc.
14	1129-0012	Key ring 16x1,3	2	Pc.
15	1040-0016	Hexagon nut 16x 1,5	2	Pc.
16	1052-0016	Spring washer B16	2	Pc.
17	3277-2319-015	Holder lock CLEO fine structure black	2	Pc.
18	3248-3013	Thrust washer	2	Pc.
19	3246-1145	Bolt housing	2	Pc.
20	1131-0036	Compression spring D-127	2	Pc.
21	3240-2422	Locking bolt	2	Pc.

** x = 1 = SW 24; 2 = 26; 3 = 28; 4 = 30; 5 = 32; 6 = 34; 7 = 36

*Back panel is always 1 size smaller then SW.
e.g. SW 32 0 back panel SW30

Spare parts



Pos	Article number	Articel description	Quantity	Unit
1-8	3275-3100	CLEO hitch for BOBBY-CAR trailer	1	Set
1	3275-5511-007	Clamping block, black anodised	1	Pc.
2	3275-5512-007	Doucine 25x42x6,2 black anodized	1	Pc.
3	1024-0640	Hexagon socket countersunk head screw M6x40	2	Pc.
4	1114-0025	Bushing zp 8x0,8x27	2	Pc.
5	1121-0820	Locking lever PA black M8x20	1	Pc.
6	1059-0011	Shim ring 8x14x1,2	1	Pc.
7	3275-3190E	Hitch	1	Pc.
8	1141-0009	Ribbed insert SFL 25x1-2,5	1	Pc.

HOGGI GmbH
Eulerstraße 27 • 56235 Ransbach-Baumbach • Deutschland
Telefon: (+49) 2623 / 92 499-0 • Telefax: (+49) 2623 / 92 499-99
E-mail: info@hoggi.de • www.hoggi.de
