
HOGGI[®]



Out door front end
Spare parts

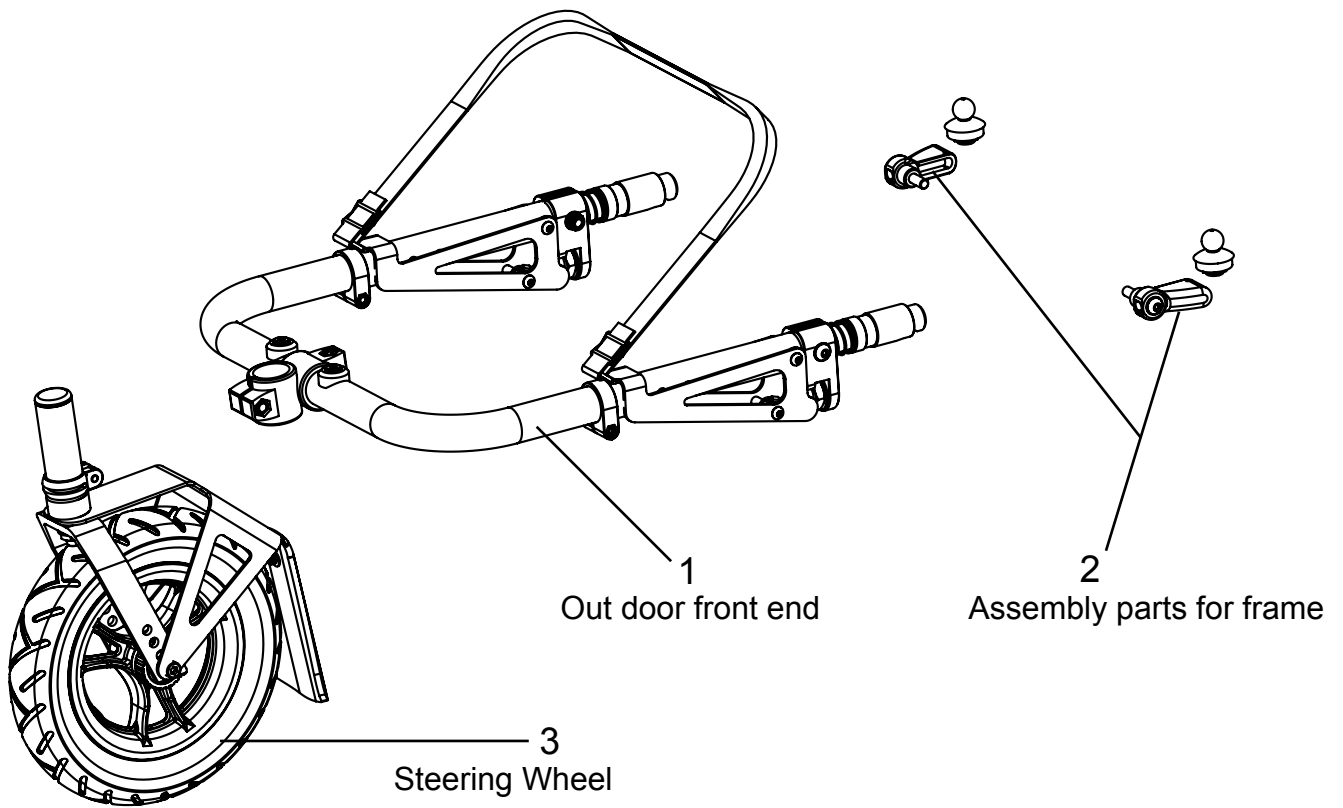
en

Index

1 Spare parts

1.1	CESA overview out door front end _____	3
1.2	CESA out door front end _____	4
1.3	CESA out door front end parts list _____	5
1.4	CESA out door front end Assembly parts for frame _____	6
1.5	CLEO overview out door front end _____	7
1.6	CLEO out door front end _____	8
1.7	CLEO out door front end Assembly parts for frame _____	9
1.8	Swingbo Vti and VTi XL, overview out door front end _____	10
1.9	Swingbo Vti and VTi XL, out door front end _____	11
1.10	Swingbo Vti and VTi XL, out door front end Assembly parts for frame _____	12
1.11	Swingbo 2 and 2 XL, overview out door front end _____	13
1.12	Swingbo 2 and 2 XL, out door front end _____	14
1.13	Swingbo 2 and 2 XL, out door front end Assembly parts for frame _____	15
1.14	Steering Wheel for all out door front ends _____	16

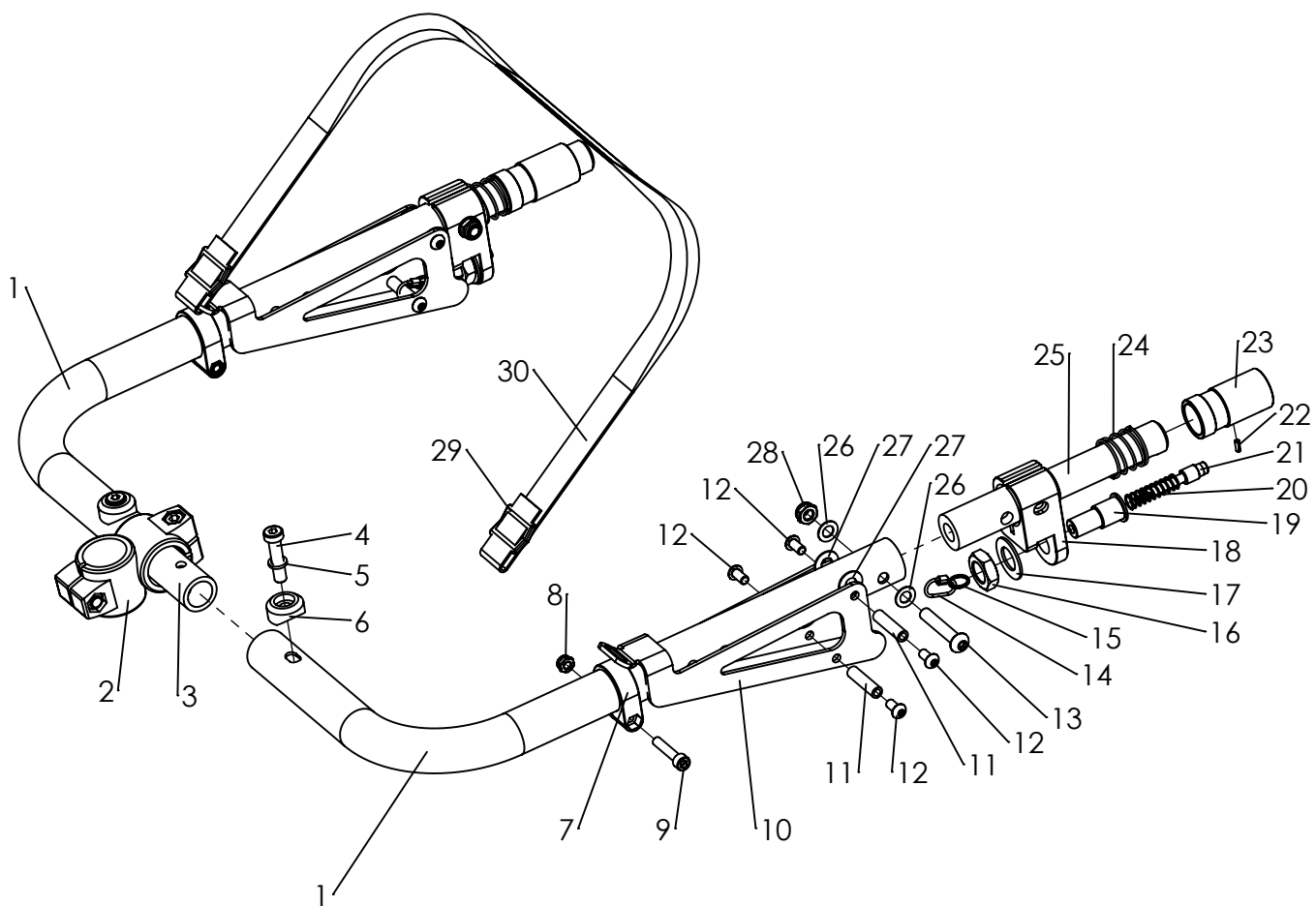
Spare parts CESA Overview



- 1 Parts list out door front end
- 2 Parts list Assembly parts for frame
- 3 Parts list steering wheel

- page 4 and 5
- page 6
- page 16

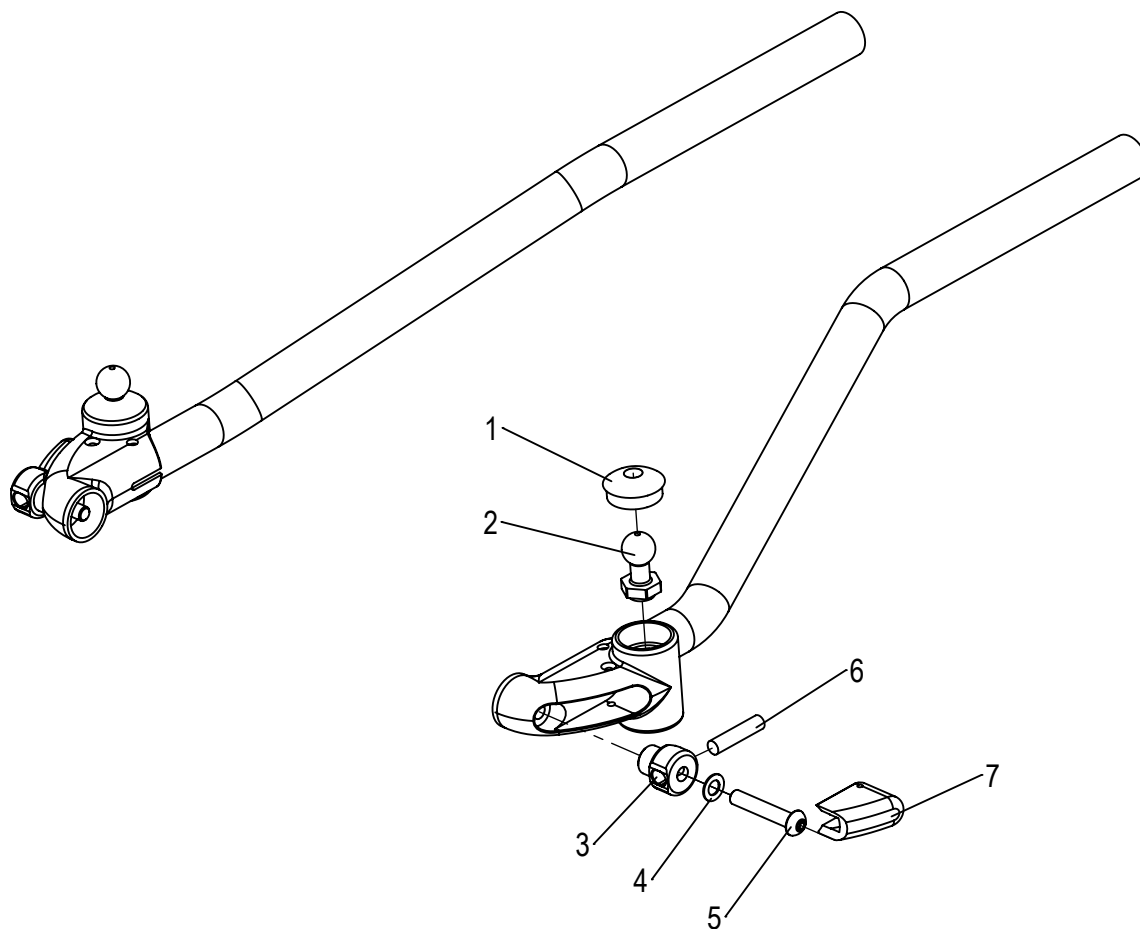
Spare parts CESA, Out door front end



Spare parts CESA, Out door front end

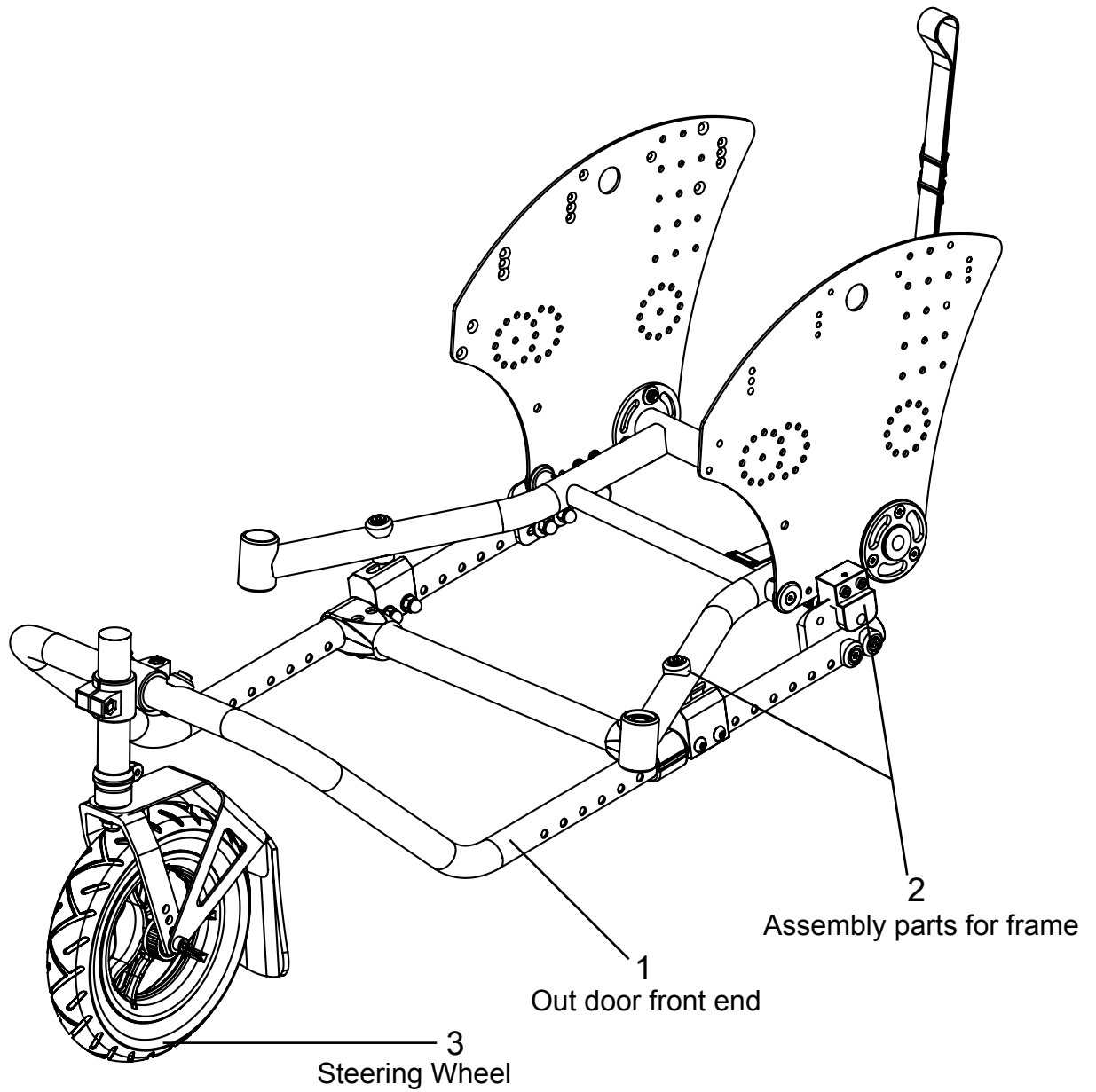
Pos	Article number	Article description	Quantity	Unit
1	3220-96SBs	Frame set outdoor front frame, CESA, give SW with order	1	Set
2	3246-9520	Cross-clamp connector 30/30	1	Pc.
3	3246-9631	Connector	1	Pc.
4	1022-0835	Hexagon socket head cap screw M8x35	2	Pc.
5	1059-0010	Spring washer M8	4	Pc.
6	3245-1152	Sattelscheibe	2	Pc.
7	3224-1293	Cross brace bushing	2	Pc.
8	1042-0006	Hexagon nut self-locking M6	2	Pc.
9	1021-0630	Hexagon socket head cap screw M6x30	2	Pc.
10	3220-9537-015	Release arm, FS black	2	Pc.
11	1114-0027	Threaded bushing 8xM6x32	4	Pc.
12	1029-6001	Button head socket screw, Tufflock M6x12	8	Pc.
13	1029-0845	Button head socket screw M8x45	2	Pc.
14	3220-9539	Tripping rope loop	2	Pc.
15	1129-0036	Key ring 16x1,6	2	Pc.
16	1040-0016	Hexagon nut 16x1,5	2	Pc.
17	1052-0016	Spring washer B16 zp DIN/ISO 137 B16	2	Pc.
18	3220-9538-007	Bolt housing retainer, eloxal black	2	Pc.
19	3246-1145	Bolt housing	2	Pc.
20	1131-0070	Compression D-162	2	Pc.
21	3240-2422	Locking bolt	2	Pc.
22	1070-0308	Spring pin DIN/ISO 7346 3x8	2	Pc.
23	3220-9534	Coupling housing	2	Pc.
24	1131-0058	Compression VD-207	2	Pc.
25	3220-9533-007	Coupling tube	1	Pc.
26	1052-0008	Spring washer B8	4	Pc.
27	1113-0004	Washer PA 18x8,4x0,8 nature	4	Pc.
28	1042-0008	Hexagon nut self-locking M8	4	Pc.
29	1530-0004	Buckle TG 25/N	2	Pc.
30	1511-2500	PE-strap 25x1000 black	1	Pc.

Spare parts CESA, Assembly parts for frame



Pos	Article number	Article description	Quantity	Unit
1-7	3220-9540E	Lock attachments for CESA	1	Set
1	1209-0018	Hub cap	2	Pc.
2	3220-9535	Ball head	2	Pc.
3	3220-9545	Bolt catch	2	Pc.
4	1052-0008	Spring washer B8	2	Pc.
5	1029-0845	Button head socket screw M8x45	2	Pc.
6	1070-0836	Cylinder pin	2	Pc.
7	3221-1155	Rubber bumper left / right	2	Pc.

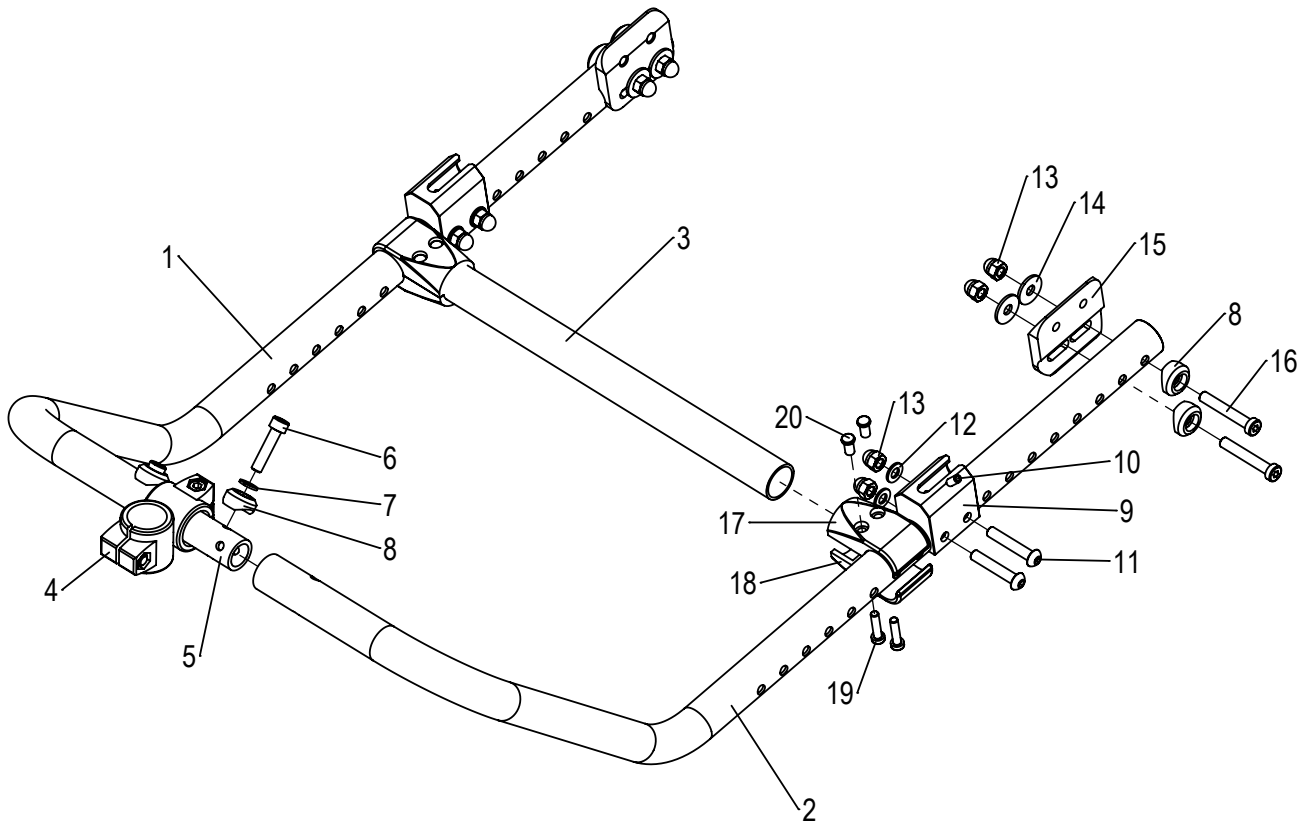
Spare parts CLEO Overview



- 1 Parts list out door front end
- 2 Parts list Assembly parts for frame
- 3 Parts list steering wheel

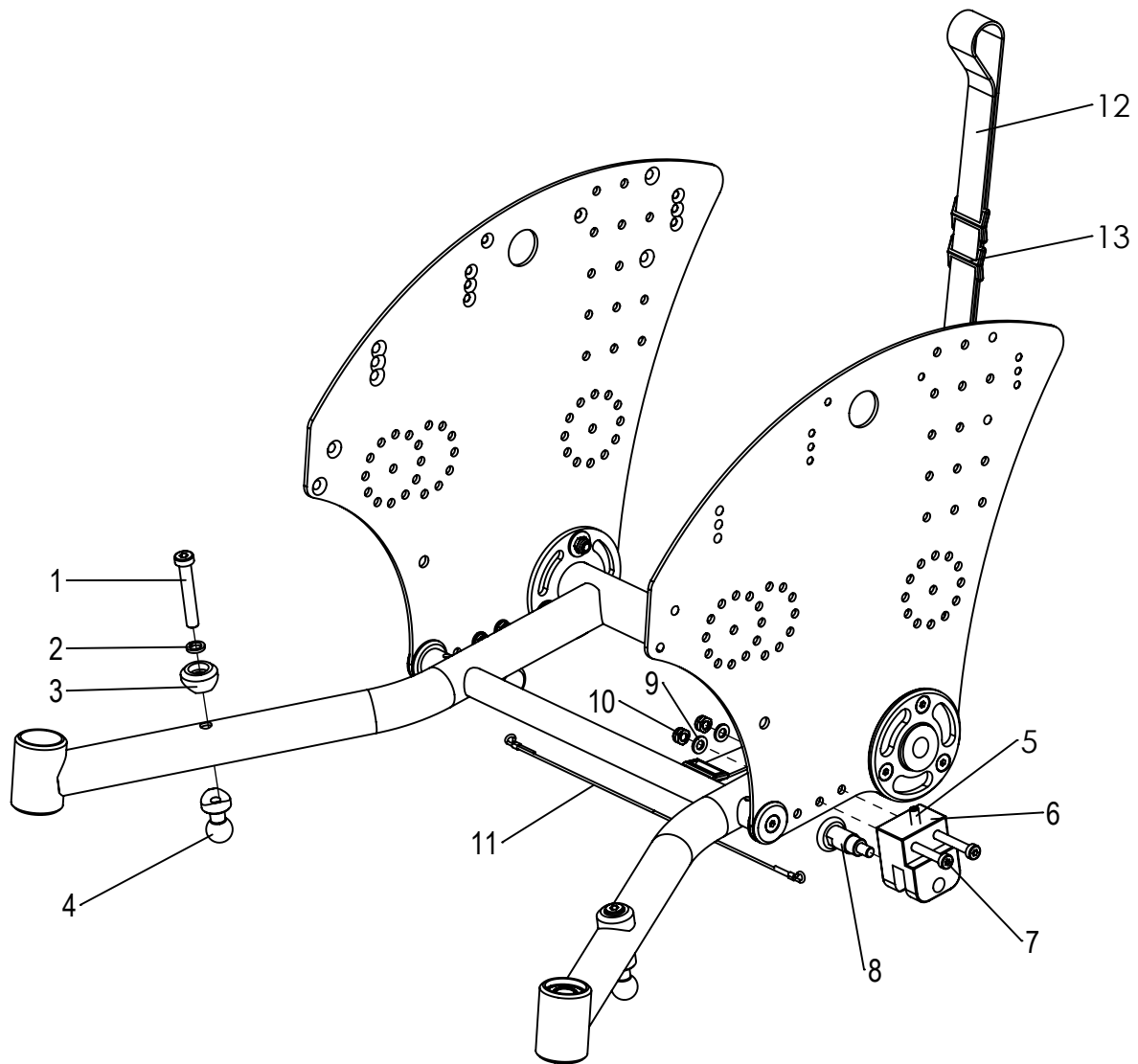
- page 8
- page 9
- page 16

Spare parts CLEO, Out door front end



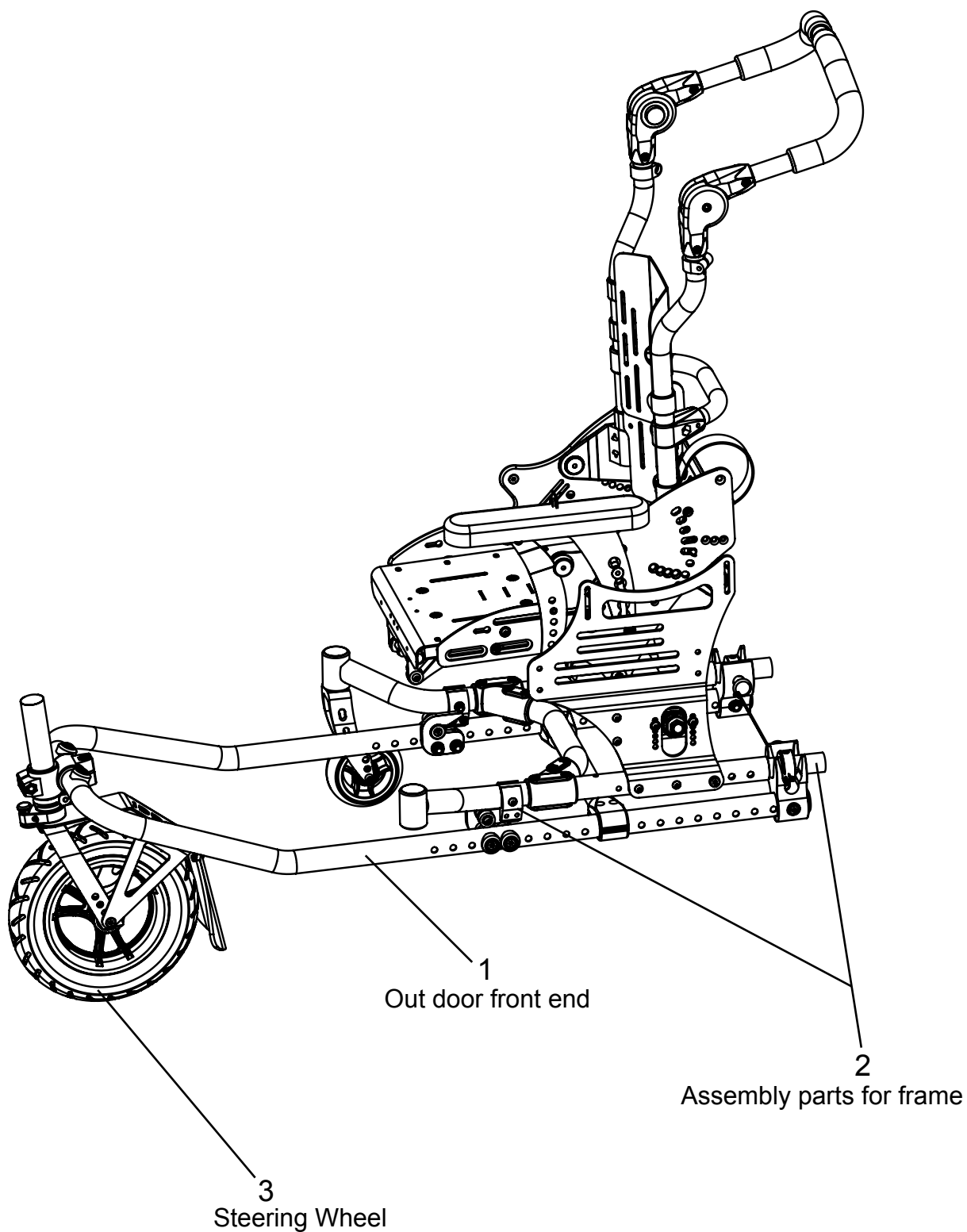
Pos	Article number	Article description	Quantity	Unit
1-3	3274-956s	Frame set outdoor front frame, CLEO, give SW with order	1	Set
2	3274-956s	Frame set outdoor front frame, CLEO, give SW with order	1	Set
3	3274-956s	Frame set outdoor front frame, CLEO, give SW with order	1	Set
4	3246-9520	Cross-clamp connector 30/30	1	Pc.
5	3246-9631	Connector	1	Pc.
6	1021-0835	Hexagon socket head cap screw M8x35	2	Pc.
7	1059-0010	Spring washer M8	2	Pc.
8	3245-1152	Saddle washer	6	Pc.
9	3274-9536	Ball mount POM black	2	Pc.
10	1139-0002	Spring-loaded pressure piece with ball M6	2	Pc.
11	1029-0845	Button head socket screw M8x45	4	Pc.
12	1051-0008	Washer A8,4	4	Pc.
13	1044-0008	Hexagonal domed cap nut self-locking M8	8	Pc.
14	1055-0008	Washer zp A8,4	4	Pc.
15	3274-9537	Sword anodized	2	Pc.
16	1022-0850	Hexagon socket head cap screw M8x50	4	Pc.
17-20	1145-0003	Tube connector T-90° 30/30, black, complete	2	Pc.

Spare parts CLEO, Assembly parts for frame



Pos	Article number	Article description	Quantity	Unit
1	1022-0850	Hexagon socket head cap screw M8x50	2	Pc.
2	1059-0010	Spring washer M8	2	Pc.
3	3245-1152	Saddle washer	2	Pc.
4	3274-9535	Ball head	2	Pc.
5	1139-0002	Spring-loaded pressure piece with ball M6	2	Pc.
6	3274-9538	Bolt housing black anodized	2	Pc.
7	1022-0640	Cylinder head screw M6x40	4	Pc.
8	3246-9552	Lock pin with 2,5mm hole in cover	2	Pc.
9	1051-0006	Washer A6,4	4	Pc.
10	1042-0006	Hexagon nut self-locking M6	4	Pc.
11	3248-9690	Universal release cable for locking mechanism outdoor front end	1	Pc.
12	1511-2500	PE-strap 25x1000 black	1	Pc.
13	1530-0004	Buckle TG 25/N	3	Pc.

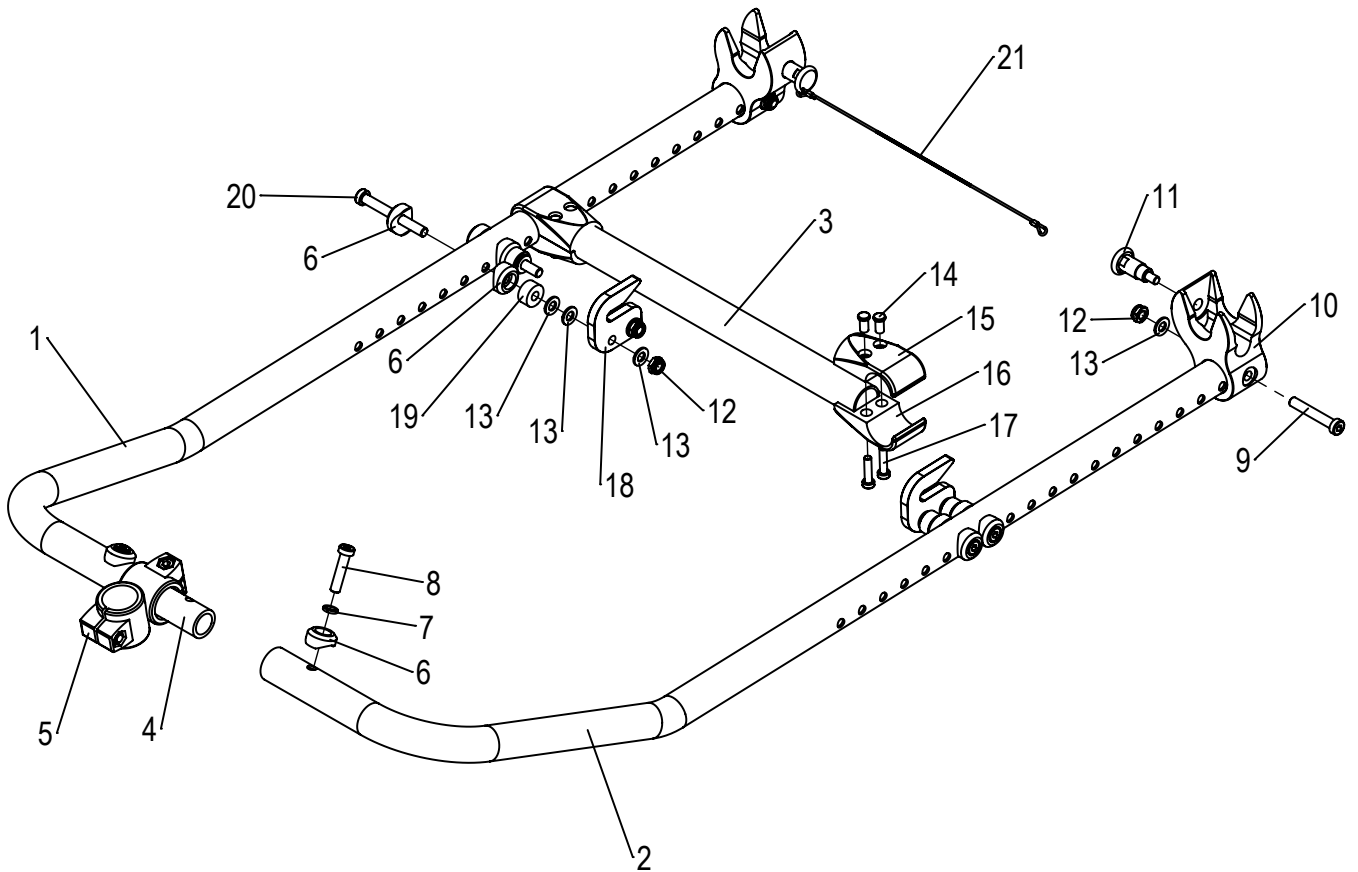
Spare parts SWINGBO und SWINGBO VTi, Overview



- 1 Parts list out door front end
- 2 Parts list Assembly parts frame
- 3 Parts list steering wheel

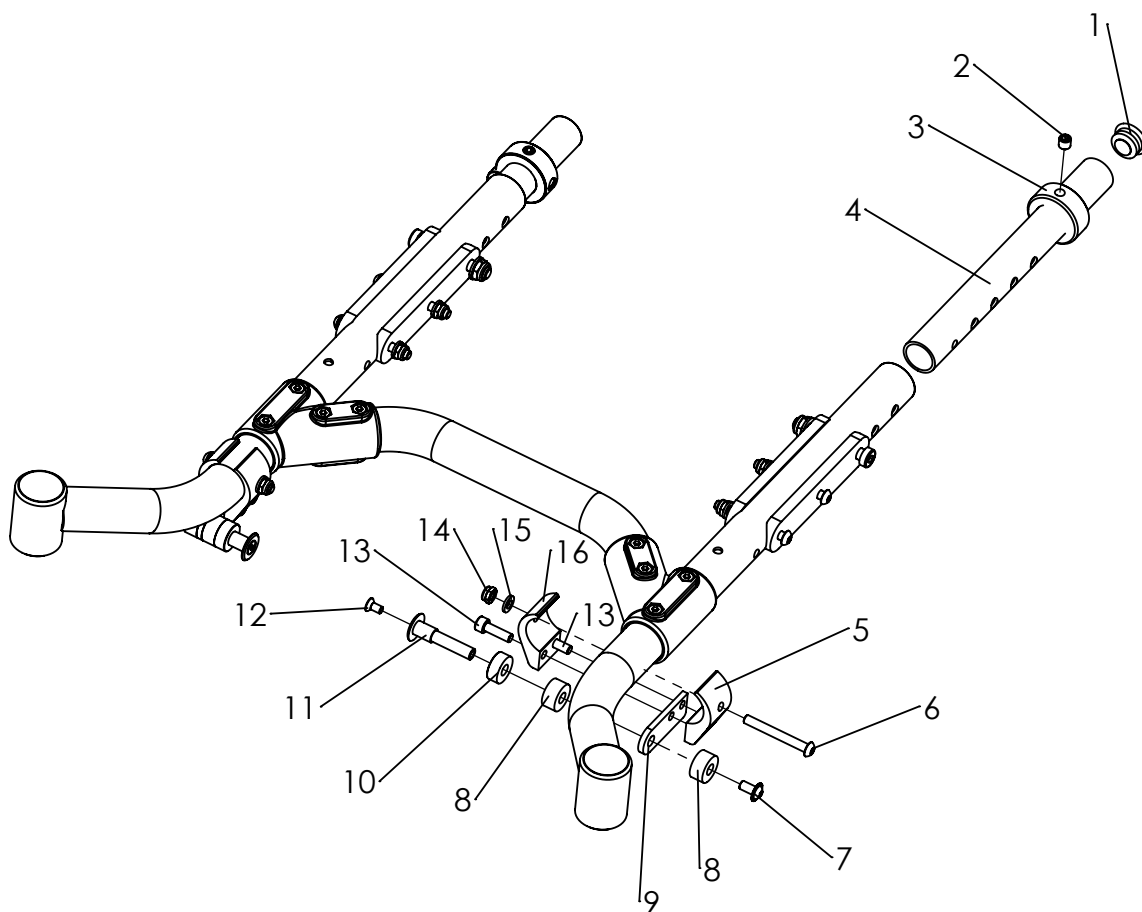
- page 11
- page 12
- page 16

Spare parts SWINGBO VTi und VTi XL, Out door front end



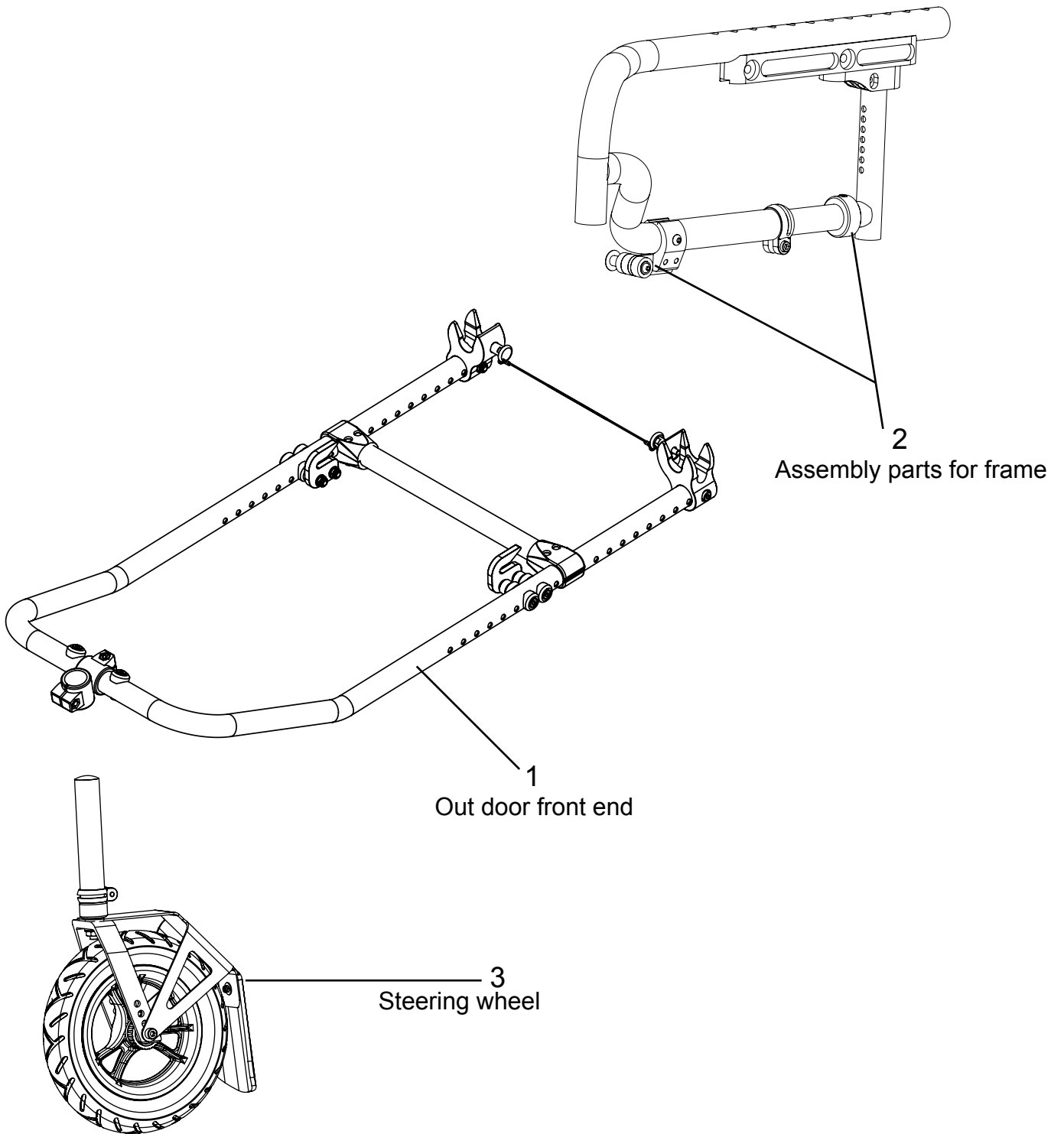
Pos	Article number	Article description	Quantity	Unit
1-3	3248-96SBs	Frame set Outdoor front frame, SWINGBO-VTi, give SW with order	1	Set
2	3248-96SBs	Frame set Outdoor front frame, SWINGBO-VTi, give SW with order	1	Set
3	3248-96SBs	Frame set Outdoor front frame, SWINGBO-VTi, give SW with order	1	Set
4	3246-9631	Connector	1	Pc.
5	3246-9520	Cross-clamp connector 30/30	1	Pc.
6	3245-1152	Saddle washer	10	Pc.
7	1059-0010	Spring washer M8	2	Pc.
8	1022-0835	Hexagon socket head cap screw M8x35	2	Pc.
9	1022-0850	Hexagon socket head cap screw M8x50	2	Pc.
10	3246-9551	Lock housing black anodized Outdoor front end	2	Pc.
11	3246-9552	Lock pin with 2,5mm hole in cover	2	Pc.
12	1042-0008	Hexagon nut self-locking M8	6	Pc.
13	1051-0008	Washer A8,4	8	Pc.
14-17	1145-0003	Tube connector T-90° 30/30, black, complete	1	Pc.
18	3246-9561	Baffle	2	Pc.
19	SA-0002-1130	Spacer bushing 20x8,2x10	4	Pc.
20	1022-0870	Hexagon socket head cap screw M8x70	4	Pc.
21	3248-9690	Universal release cable for locking mechanism outdoor front end	1	Pc.

Spare parts SWINGBO VTi und VTi XL, Assembly parts for frame



Pos	Article number	Article description	Quantity	Unit
1	1141-0009	Ribbed insert SFL 25x1-2,5	2	Pc.
2	1031-0808	Hexagon socket set screw M8x8	2	Pc.
3	3246-9563	Adjusting ring with additional hole 7,5 mm	2	Pc.
4	3248-9553-007	Adapter tube VTi black anodised	2	Pc.
5	3240-7332	Clamp half with M6 thread	2	Pc.
6	1029-0650	Button head socket screw M6x50	2	Pc.
7	1030-0612	Button head socket screw with flange M6x12	2	Pc.
8	SA-0002-1130	Spacer bushing 20x8,2x10	4	Pc.
9	3246-9562	Retaining strap	2	Pc.
10	3246-1133	Spacer 20x8,2x8	2	Pc.
11	3231-1517	Gudie shaft seat bearing	2	Pc.
12	1024-0510	Hexagon socket countersunk head screw M5x10	2	Pc.
13	1021-0620	Hexagon socket head cap screw M6x20	4	Pc.
14	1042-0006	Hexagon nut self-locking M6	2	Pc.
15	1051-0006	Washer A6,4	2	Pc.
16	3240-7331	Clamp half with 6,2mm holes	2	Pc.

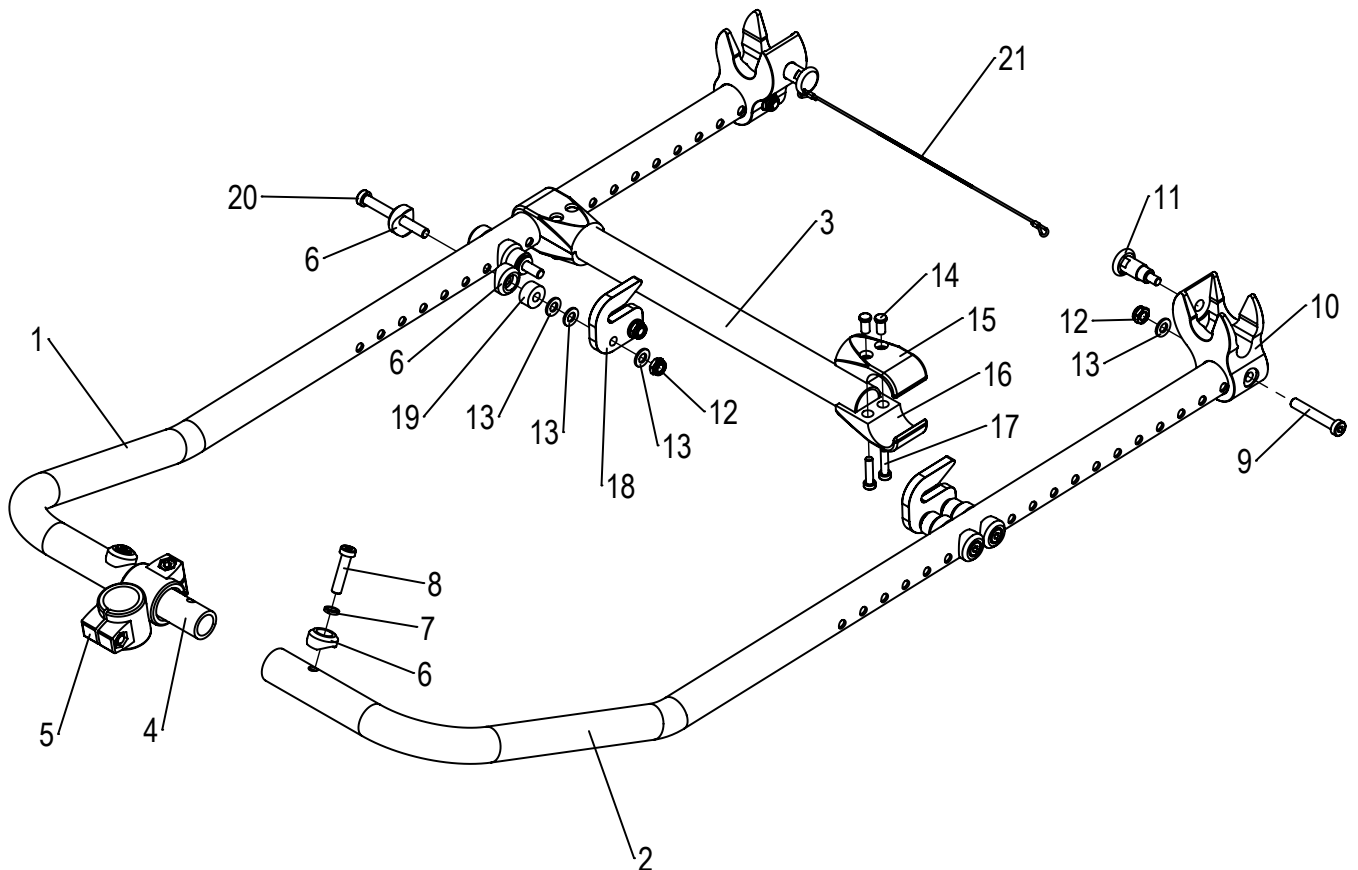
Spare parts SWINGBO 2 und SWINGBO 2XL, Overview



- 1 Parts list out door front end
- 2 Parts list Assembly parts for frame
- 3 Parts list steering wheel

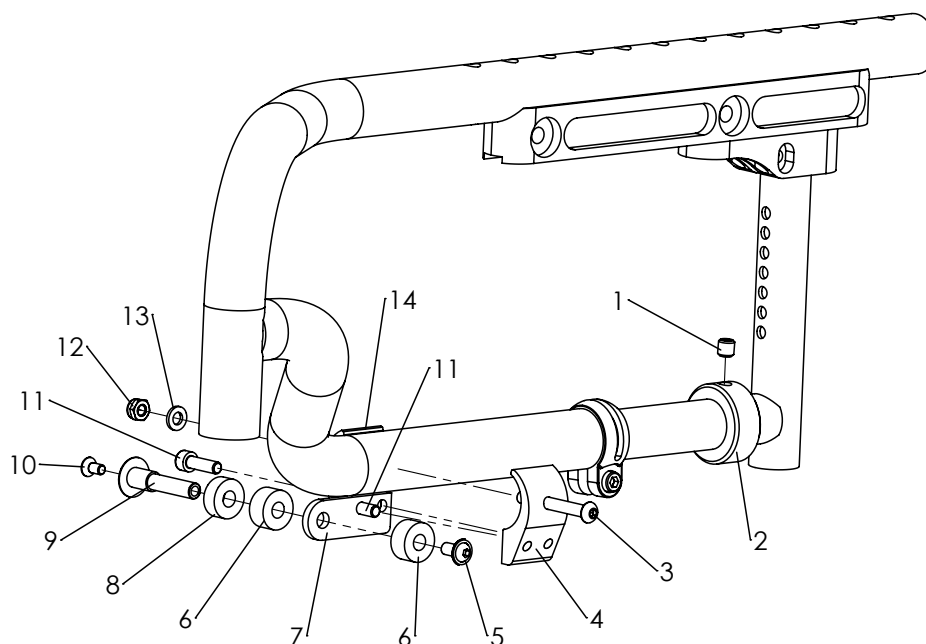
- page 14
- page 15
- page 16

Spare parts SWINGBO 2 und 2XL, Out door front end



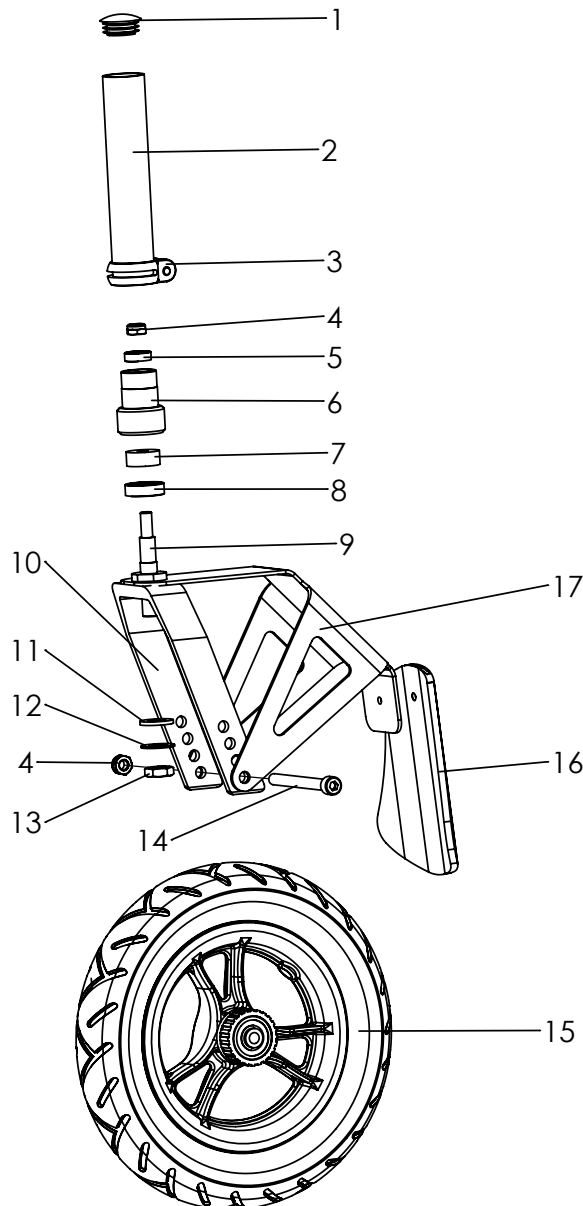
Pos	Article number	Article description	Quantity	Unit
1-3	3246-96SBs	Frame set Outdoor front frame, SWINGBO-VTi, give SW with order	1	Set
2	3246-96SBs	Frame set Outdoor front frame, SWINGBO-Vti	1	Set
3	3246-96SBs	Frame set Outdoor front frame, SWINGBO-Vti	1	Set
4	3246-9631	Connector	1	Pc.
5	3246-9520	Cross-clamp connector 30/30	1	Pc.
6	3245-1152	Saddle washer	10	Pc.
7	1059-0010	Spring washer M8	2	Pc.
8	1022-0835	Hexagon socket head cap screw M8x35	2	Pc.
9	1022-0850	Hexagon socket head cap screw M8x50	2	Pc.
10	3246-9551	Lock housing black anodized Outdoor front end	2	Pc.
11	3246-9552	Lock pin with 2,5mm hole in cover	2	Pc.
12	1042-0008	Hexagon nut self-locking M8	6	Pc.
13	1051-0008	Washer A8,4	8	Pc.
14-17	1145-0003	Tube connector T-90° 30/30, black, complete	1	Pc.
18	3246-9561	Baffle	2	Pc.
19	SA-0002-1130	Spacer bushing 20x8,2x10	4	Pc.
20	1022-0870	Hexagon socket head cap screw M8x70	4	Pc.
21	3248-9690	Universal release cable for locking mechanism outdoor front end	1	Pc.

Spare parts SWINGBO 2 und 2XL, Assembly parts for frame



Pos	Article number	Article description	Quantity	Unit
1	1031-0808	Hexagon socket set screw M8x8	2	Pc.
2	3246-9563	Adjusting ring with additional hole 7,5 mm	2	Pc.
3	1029-0650	Button head socket screw M6x50	2	Pc.
4	3240-7332	Clamp half with M6 thread	2	Pc.
5	1030-0612	Button head socket screw with flange M6x12	2	Pc.
6	SA-0002-1130	Spacer bushing 20x8,2x10	4	Pc.
7	3246-9562	Retaining strap	2	Pc.
8	3246-1133	Spacer 20x8,2x8	2	Pc.
9	3231-1517	Gudie shaft seat bearing	2	Pc.
10	1024-0510	Hexagon socket countersunk head screw M5x10	2	Pc.
11	1021-0620	Hexagon socket head cap screw M6x20	4	Pc.
12	1042-0006	Hexagon nut self-locking M6	2	Pc.
13	1051-0006	Washer A6,4	2	Pc.
14	3240-7331	clamp half with 6,2 mm holes	2	Pc.

Spare parts steering wheel for out door front end



Pos	Article number	Article description	Quantity	Unit
1-20	3220-9510E	Steering Wheel complete, for CESA Out door front end	1	Set
	3246-9510E	Steering Wheel, for Out door front end, Swingbo 2,2XL, Vti, Vti XL and Cleo	1	Set
1	1141-0016	ribbed insert SFL 30 30x0,8-2,5	1	St
2	3220-9511-007	Front fork axle tube 80 mm anodised	1	St
	3246-9511-007	Front fork axle tube 158 mm anodised	1	St
3	1129-0010	Saddle clamp d 29,8 mm black	1	St
4	1042-0008	Hexagon nut self-locking M8	2	St
5-8	3240-1170E	Castor fork bracket complete	1	Set
9	1205-0007	wheel fork axle	1	St
10	1281-0013-007	Wheel fork aluminum	1	St
11	1051-0012	Washer A13	1	St
12	1052-0012	Spring washer B12	1	St
13	1043-0012	Hexagon nut M12	1	St
14	1021-0885	Hexagon socket head cap screw M8x85	1	St
15	1221-0023	PU-wheel 250x50 out door frame	1	St
16	7000-0169	Spoiler XXL 53 mm	1	St
17	3246-9512-052	Wheel guard	1	St

HOGGI GmbH
Eulerstraße 27 - 56235 Ransbach-Baumbach - Deutschland
(+49) 0 2623 / 92 499-0
www.hoggi.de